

# VERTICAL COMPACTOR

## Self-Contained Wet/Dry Vertical Compactor (VCP)

Driver "OK" Light

Pak-Tite: 4 to 1\*  
Compaction Ratio

Front, Side or Rear  
Load Feed Design

Self-Contained,  
Liquid-Tight  
Can Design

Container Guides

*Designed for:* Restaurants  
Fast Food Locations  
Shopping Plazas  
Supermarkets  
Hospitals  
Schools  
Nursing Homes  
Hotels

Completely 100%  
UL Approved

3-Way  
Safe & Secure  
Interlock System

Versatile Design  
will Accommodate  
a 4, 6, or 8 cu. yd.  
Container

Container Stops  
Eliminate Can Movement

The VCP is a space saving, affordable, self-contained compaction system for weekly volume of 100 cu. yds. or more of trash. Instead of wind blown containers, the VCP controls housekeeping, deters short dumpers and vermin while reducing pilferage and refuse costs.



[www.PTRCO.com](http://www.PTRCO.com)

# VCP



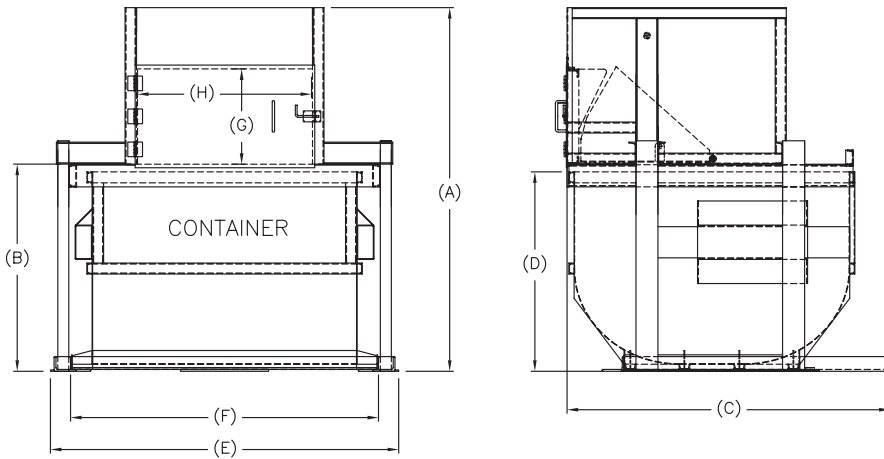
Totally  
Listed

Packaging - Processing  
**Bid on Equipment**  
1-847-683-7720  
[www.bid-on-equipment.com](http://www.bid-on-equipment.com)

## PTR Baler & Compactor Company

# VERTICAL COMPACTOR

## Self-Contained Wet/Dry Vertical Compactor (VCP)



		A	B	C	D	E	F	G	H
FRONT & REAR FEED	4 YD	86"	43"	88"	41"	95"	84"	26"	47½"
	6 YD	100"	57"	88"	54½"	95"	84"	26"	47½"
	8 YD	118"	75"	88"	72½"	95"	84"	26"	47½"
SIDE FEED	4 YD	86"	43"	99"	41"	95"	84"	26"	47½"
	6 YD	100"	57"	99"	54½"	95"	84"	26"	47½"
	8 YD	118"	75"	99"	72½"	95"	84"	26"	47½"
REAR LOAD	4 YD	92"	52"	91"	52"	96"	84"	26"	47½"

### EQUIPMENT SPECIFICATIONS

Mrf Rating	.73 cu yds	Normal Force	28,920
WASTEC Rating	.56 cu yds	Max Force	33,786
Feed Opening	26" x 47"	Electrical Motor	3 HP, 3 Phase, 208/230/460V
Cycle Time	30 secs	Electrical Control Voltage	120 VAC

The Vertical Compactor Series has been engineered to provide many years of reliable service. The heavy-duty structural steel components are welded by certified technicians and tested to ensure liquid retention and high compaction forces.

The Vertical ComPactor or "VCP," an affordable, self-contained compaction system for situations where space is limited, roll-off collection is unavailable or load versatility is desired.



**ISSA**  
The Experts  
on Cleaning and Maintenance

**WASTEC**  
MEMBER



PTR reserves the right under its Product Improvement Program to modify construction and/or design details without reference to illustrations and/or specifications shown herein.

### BENEFITS:

- Completely 100% UL Approved
- Feed Door Automatically locks
- "3-Way Safety First" Safety/Security Interlock
- Oversized Feed baffle eliminates trash on the platen

### OPERATIONAL MODE DESCRIPTION:

1. Insert key: Operator inserts the key then turns it to the "ON" position.
2. Engage the start button: this allows the platen to ascend from the locked mid-point position - to the up and ready-for-loading position. The feed door can now be opened and the unit is ready for loading.
3. Closing the door automatically cycles the machine and returns the platen to the mid-point position, maintaining pressure on the material while decreasing material Spring Back.

### OPTIONS:

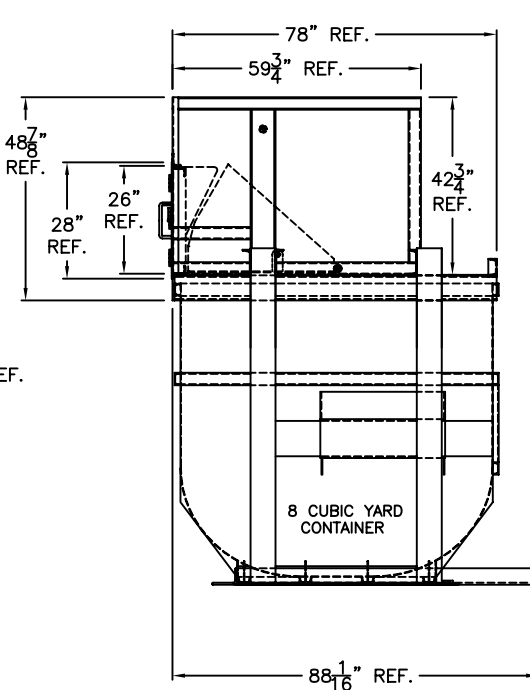
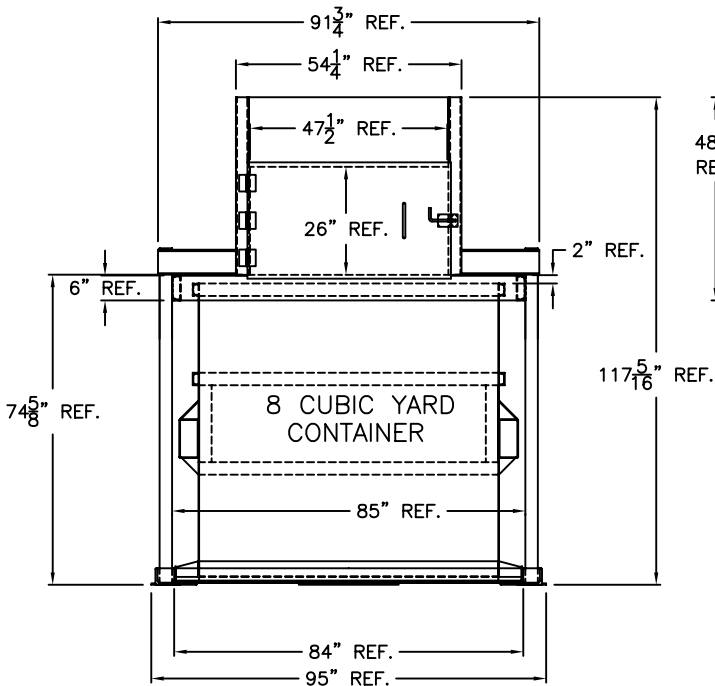
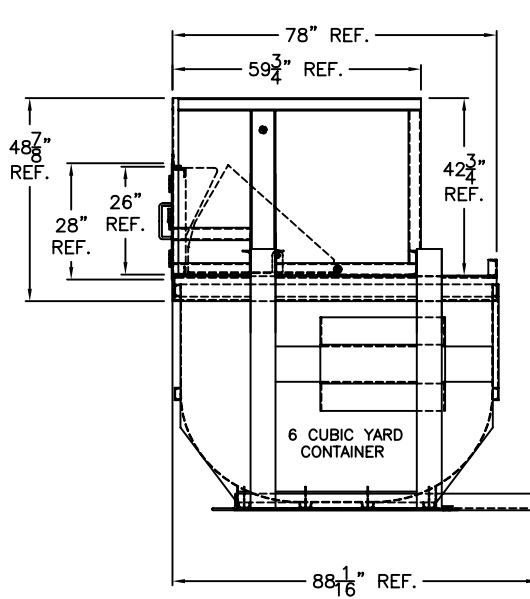
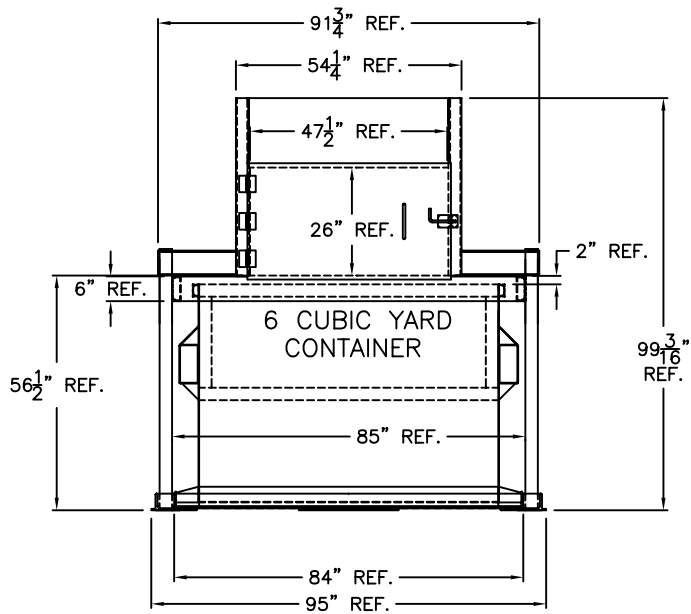
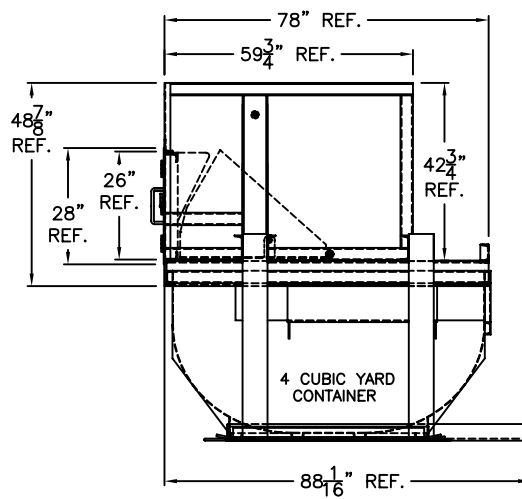
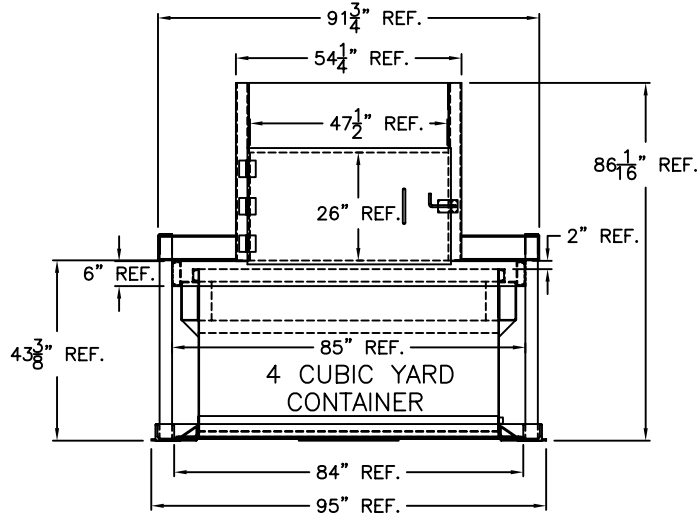
- Oil Heater
- Chute Feed Installation
- Odor Deodorizer System



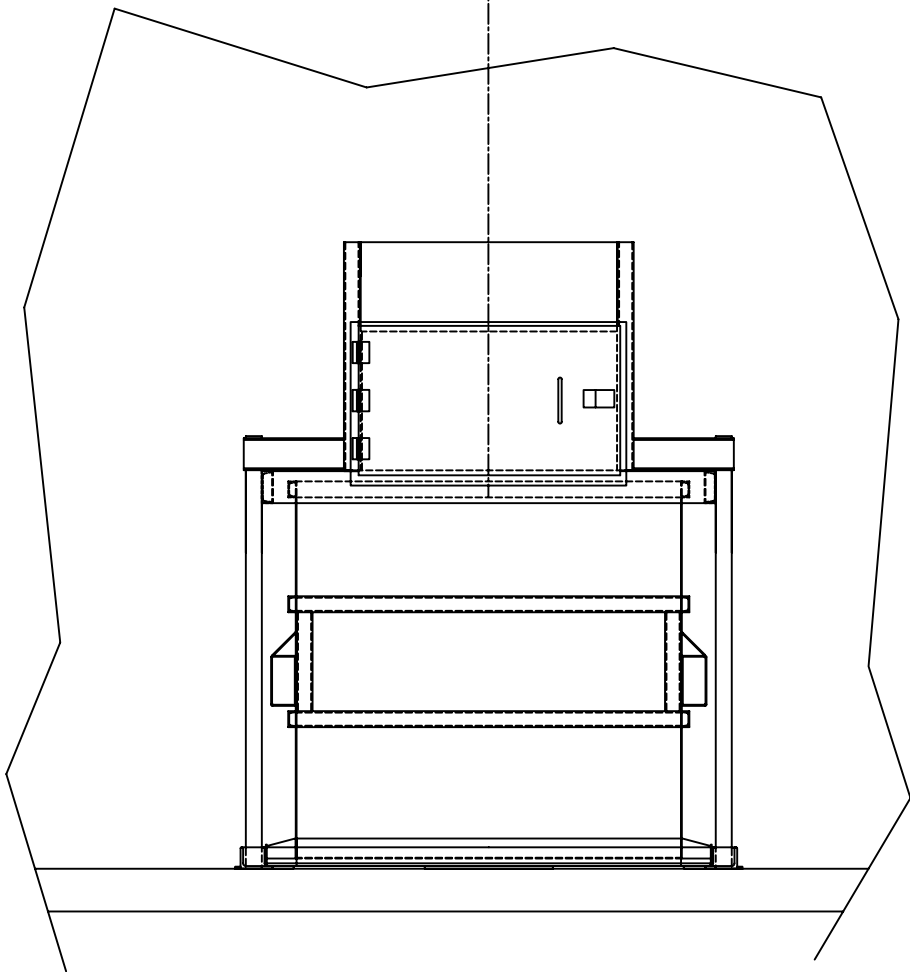
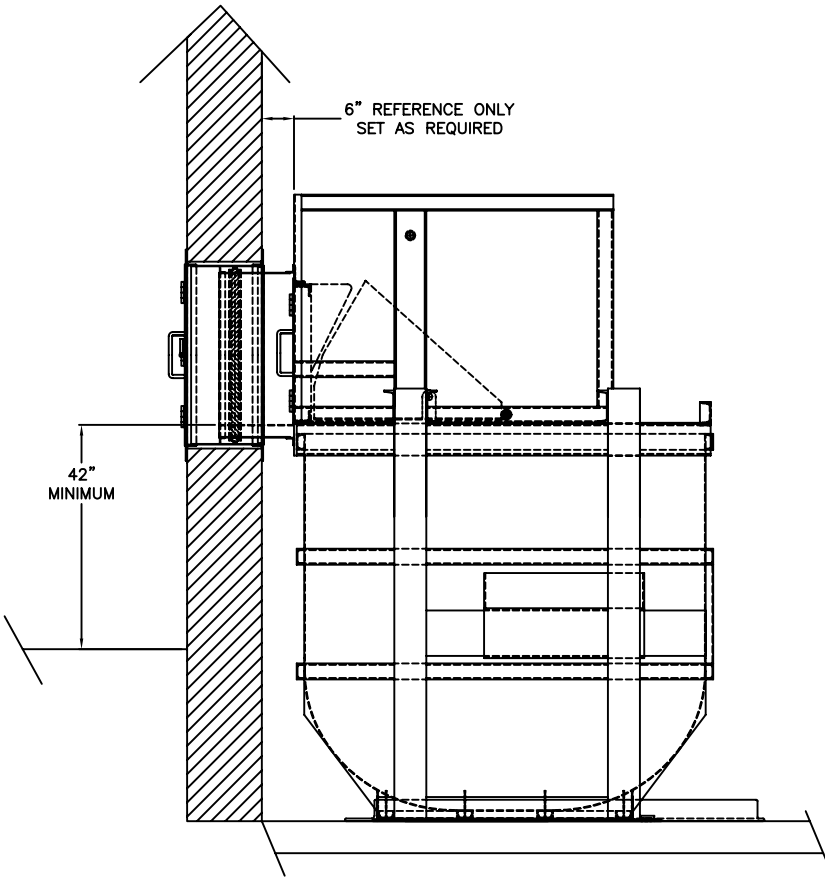
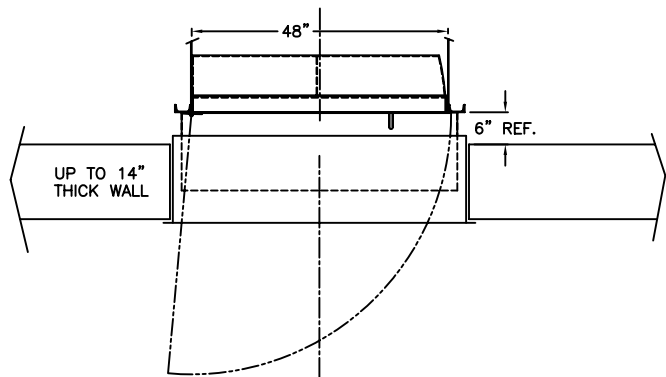
PTR Baler & Compactor Company • 2207 E Ontario St. • Philadelphia, PA 19134  
215-533-5100 • (FAX) 215-533-8907 • 800-523-3654 • www.PTRCO.com

Packaging - Processing  
**Bid on Equipment**  
1-847-683-7720  
[www.bid-on-equipment.com](http://www.bid-on-equipment.com)

# PTR BALER & COMPACTOR



SEE AC4021554 FOR  
WALL OPENING REQUIREMENTS



TITLE: REAR FEED THRU-WALL SLEEVE INSTALL EXAMPLE - VCP DWG. NO: AC402176

# PTR BALER & COMPACTOR

