

PTR

800-523-3654

BALER & COMPACTOR

www.ptrco.com

Pak-Container Compactors

Pak Container PSC

(6 Cu. Yd)

The PSC Portable Self Contained Compactors have been designed, engineered and manufactured to provide many years of reliable service. The PSC is a self-contained liquid-tight, space saving and affordable compaction system. Its low profile makes it easy to load and safer for drivers to see over the unit.

Specifications

Charge Box	22" x 46"
Container Capacity	6 Cu Yds

Hydraulic Equipment

Hydraulic Pump Capacity	3.5 gpm
Normal Pressure	2400 psi
Maximum Pressure	2600 psi
Hydraulic Cylinder (2) Bore	2.5"
Hydraulic Cylinder Rod	1.25"

Performance Characteristics

Cycle Time	28 sec
Total Normal Force	21,200 lbs
Total Maximum Force	25,300 lbs

Electrical Equipment

Electrical Motor 208/230/460v	3 Phase
Horse Power	3
Electrical Control Voltage	120 VAC



PTR Baler & Compactor Company • 2207 E Ontario St. • Philadelphia, PA 19134
215-533-5100 • (FAX) 215-533-8906 • 800-523-3654 • www.PTRCO.com

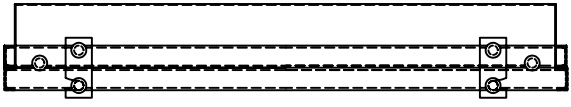


Printed in the U.S.A.
© PTR Baler & Compactor

TITLE:

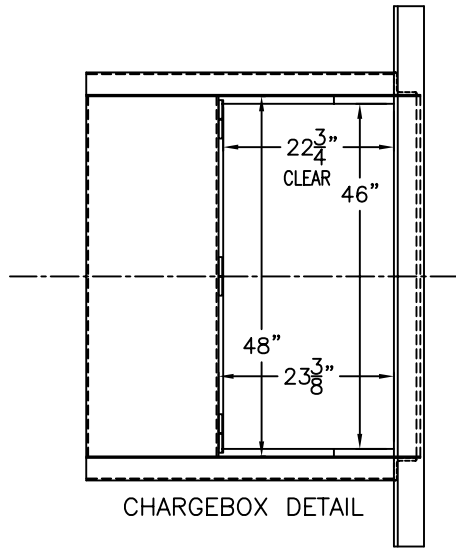
PSC-6

DWG. NO: AC402141



LATCH DETAIL

NOTE: ALL DIMENSIONS FOR REFERENCE ONLY
ACTUALL MEASUREMENTS MAY VARY



CHARGEBOX DETAIL

