



800-523-3654

BALER & COMPACTOR

www.ptrco.com

Vertical Balers



7230

Vertical Downstroke Baler



Designed For:

* Warehouses * Retail Chains * Distribution Centers * Manufacturing Plants *

This heavy-duty machine has been specifically engineered for applications where large boxes are the primary focus. The 7230 Series has all of the important safety features that make us the leader in the vertical industry.

Dimensional Data

Overall (Width x Depth x Height)	90" x 41" x 152"
Feed Height	50"
Baler Chamber (Depth x Height)	30" x 48"
Load Opening (Width x Height)	72" x 27"

Bale Size

Bale Width	72"
Bale Depth	30"
Bale Height	48"
Bale Weight	1,100 to 1,400 lbs

Performance Characteristics

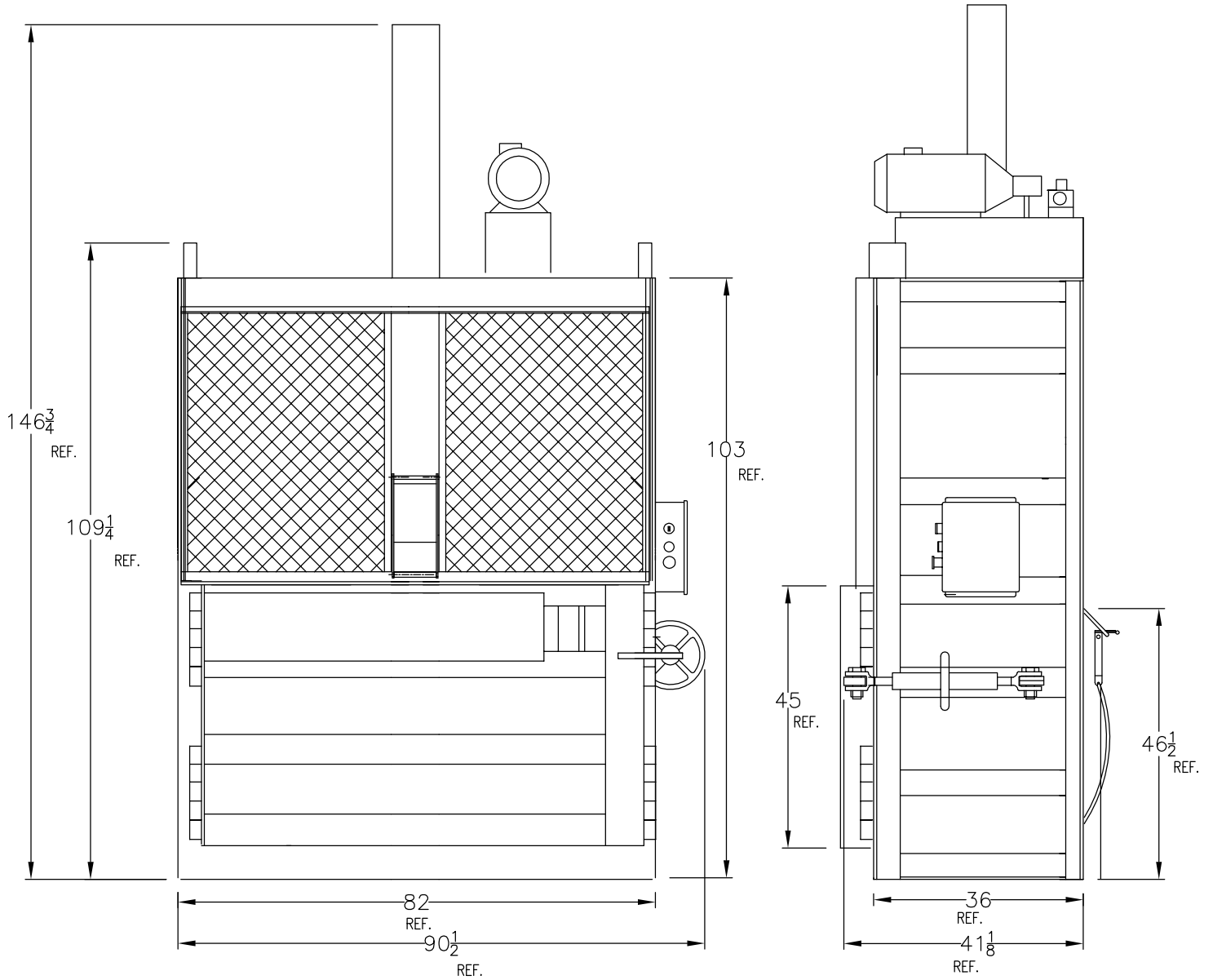
Cylinder Bore	6" x 3 1/2"
Rod Stroke	48"
Motor	10 hp
Cycle Time	56 sec
Systems Pressure	2000 – 2500 psi
Platen Force	56,500 lbs
Control Voltage	110 – 120 VAC
Electrical Motor	3 Phase
	208 / 230 / 460



PTR Baler & Compactor Company • 2207 E Ontario St. • Philadelphia, PA 19134
 215-533-5100 • (FAX) 215-533-8906 • 800-523-3654 • www.PTRCO.com



PTR BALER & COMPACTOR



FRONT VIEW

SIDE VIEW