

# PTR

800-523-3654

# BALER & COMPACTOR

www.ptrco.com

## Vertical Balers

Totally  
  
Listed!

# 7200HD

Vertical Downstroke Baler

Designed For:

\* Supermarkets \* Retail Centers \* Hospitals \* Hotels \* Malls \*

This Extremely Rugged, High Density, Heavy Duty Vertical Baler provides an excellent balance of power and reliability for recyclers today.

### Dimensional Data

Overall (Width x Depth x Height)	90" x 53" x 152"
Feed Height	26"
Baler Chamber (Depth x Height)	42" x 44"
Load Opening (Width x Height)	72" x 26"

### Bale Size

Bale Width	72"
Bale Depth	42"
Bale Height	48"
Bale Weight	1,200 to 1,800 lbs

### Performance Characteristics

Cylinder Bore	7" x 4"
Rod Stroke	48"
Motor	20 hp
Cycle Time	54 sec
Systems Pressure	2600 – 2950 psi
Platen Force	100,060 lbs
Control Voltage	110 – 120 VAC
Electrical Motor	3 Phase
	208 / 230 / 460

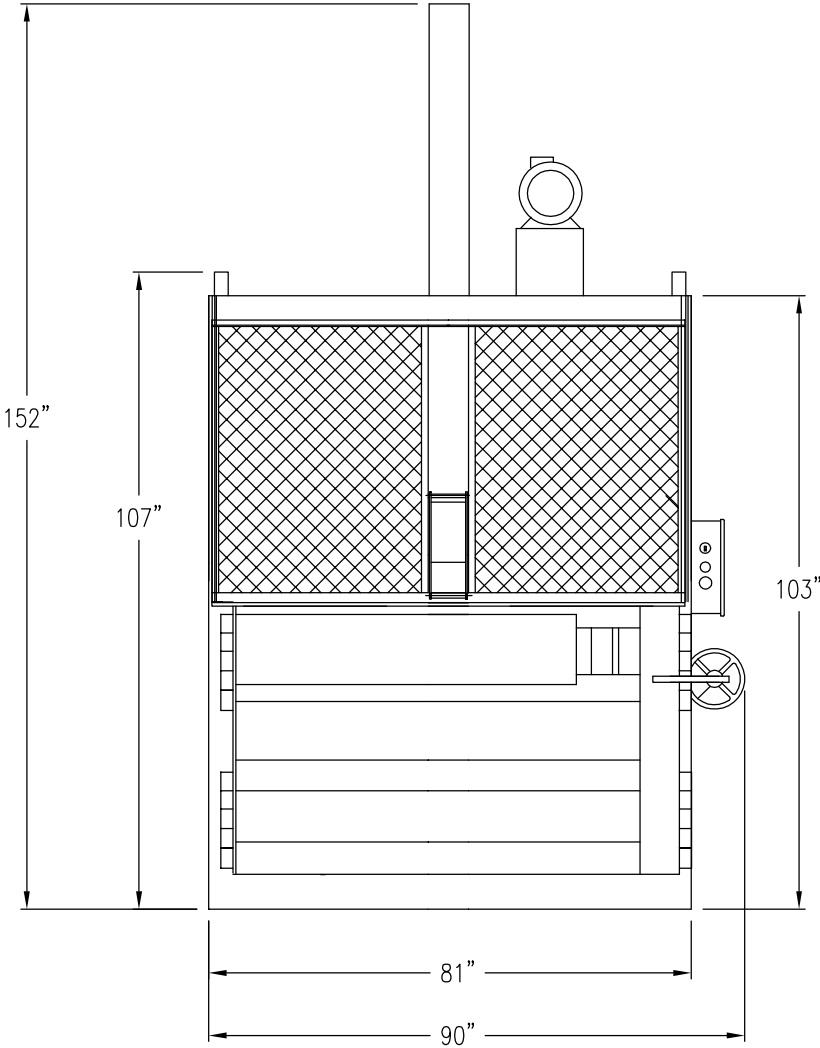


PTR Baler & Compactor Company • 2207 E Ontario St. • Philadelphia, PA 19134  
215-533-5100 • (FAX) 215-533-8906 • 800-523-3654 • www.PTRCO.com

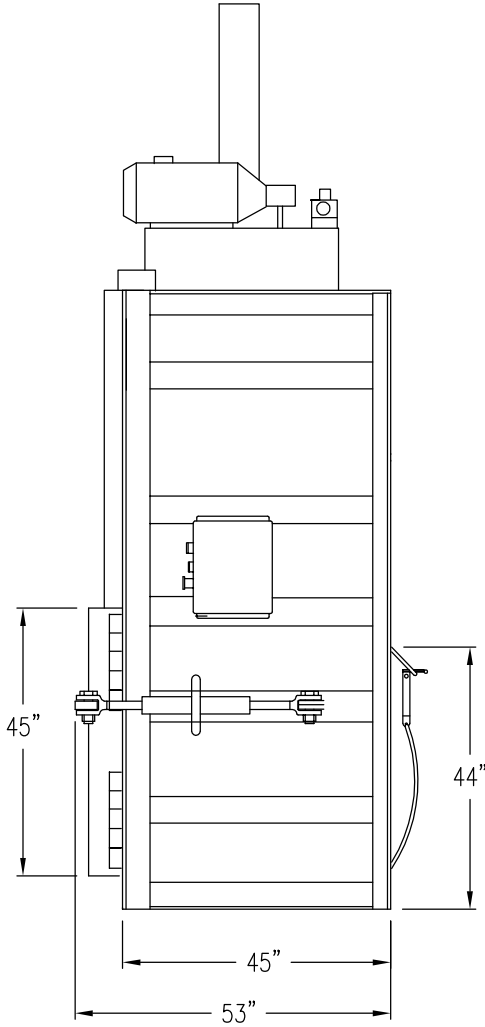


Printed in the U.S.A.  
© PTR Baler & Compactor

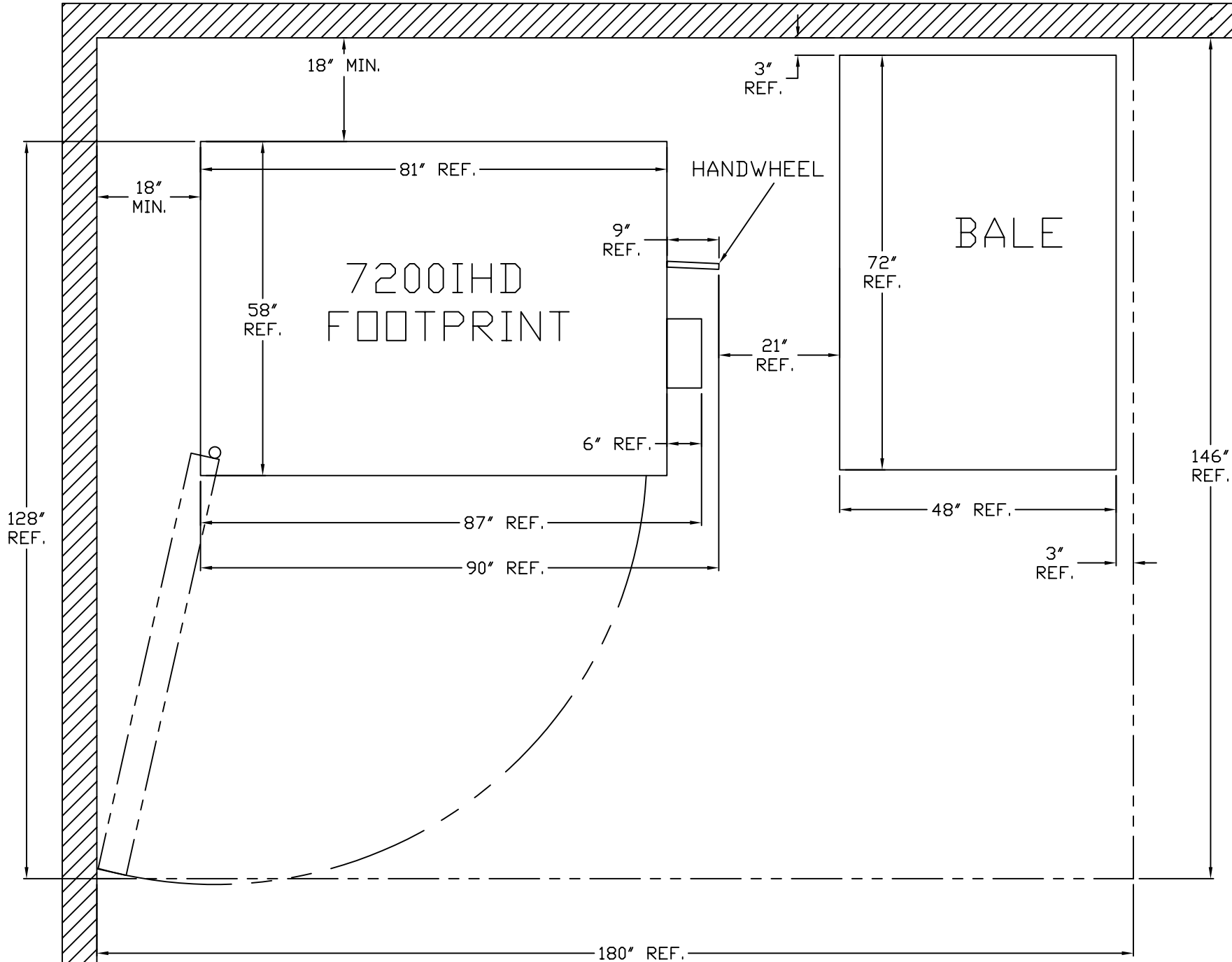
# PTR BALER & COMPACTOR



FRONT VIEW



SIDE VIEW



MINIMUM CONCRETE REQUIREMENTS: 3000 PSI CONCRETE 6" THICK WITH 12 GA SCREEN REINFORCEMENT