

PTR

800-523-3654

BALER & COMPACTOR

www.ptrco.com

Vertical Balers



420HD

Vertical Downstroke Baler

Designed For:

* Supermarkets * Retail Chains * Hospitals * Hotels * Malls *

This small but powerful machine has been specifically engineered for applications with limited space or budget. The 420HD Series has all of the important safety features that make us the leader in the vertical baler industry.

Dimensional Data

Overall (Width x Depth x Height)	52 7/16" x 29 1/4" x 96"
Feed Height	21"
Baler Chamber (Depth x Height)	24" x 28"
Load Opening (Width x Height)	30" x 19"

Bale Size

Bale Width	42"
Bale Depth	22"
Bale Height	30"
Bale Weight	200 to 400 lbs

Performance Characteristics

Cylinder Bore	4" x 2.5"
Rod Stroke	32"
Motor	3 hp
Cycle Time	53 sec
Systems Pressure	1600 – 2100 psi
Platen Force	20,100 lbs
Control Voltage	110 – 120 VAC
Electrical Motor	3 Phase
	208 / 230 / 460



PTR Baler & Compactor Company • 2207 E Ontario St. • Philadelphia, PA 19134
 215-533-5100 • (FAX) 215-533-8906 • 800-523-3654 • www.PTRCO.com



Printed in the U.S.A.
 © PTR Baler & Compactor

420HD

42" VERTICAL BALER SPECIFICATIONS

A. Manufactured

1. To meet American National Standard Institute Specifications, Z245.5 - 1997
2. Total UL approval on entire baler including all electrical, mechanical & hydraulic components.

B. Capacity

1. Bale weights of 200 to 400 lbs.

C. Frame

1. Bale Chamber of 42" x 22" x 30"
2. Frame width of 53" max.
3. Frame depth of 30" max.
4. Frame height of 64" max.
5. Over all height of 96" max.

D. Ram

1. A 1/4" thick steel plate of trapezoid shape.
2. Ram sides of one piece formed plate for proper force distribution.
3. Ram guided on sides to maximize direction of hydraulic forces.
4. Weld construction utilizing the outershield welding procedure; providing 92,000 PSI weld tensile strength.

E. Cylinder

1. Single stage hydraulic 4" Bore x 32" Stroke x 2 1/2" Rod Cylinder with a 3/4" thick mounting flange on rod end.
2. The cylinder is connected to the platen in a manner that eliminates the compression force acting on the connecting pin during the compression cycle.
3. High density machined steel cylinder cup

F. Power Unit

1. Will be the tri-voltage three phase or optional single voltage, single phase.

2. Will be 3HP heavy duty rated and capable of producing a ram force of 20,100 lbs.

G. Charging Gate

1. Gate is counter balanced with weights through a link chain and sprocket system.
2. Gate is manual, safety, pull down type with manual or automatic lifting capability, moving on replaceable nylon wear guides.

H. Bale Chamber Door

1. Door structure and hinge capable of withstanding the forces generated by the power unit during the Baling Cycle.
2. Door Lock System will engage and disengage by a 8" cast steel hand wheel assembly, capable of safely holding the door in a locked position and allowing a slow diminishing of forces against the door when opening.

I. Semi-Automatic Bale Ejector System

1. Consist of heavy duty 1/4" anchor chain, attached to a T-hook on one end and to the baler frame on the other end.
2. T Hook is designed to automatically disengaged on the first down cycle of the ram in the automatic mode.

J. Control Panel

1. Will provide a manual and automatic mode of operation.
2. Will have a key operated power On/Off switch, and Up-Down/Start combination switch, and an Emergency Stop button.

K. Automatic Safety Electrical Systems

1. A concealed electric magnetic field proximity switch to insure charging gate is closed and remains closed during travel of ram.
2. An activator ram switch to insure that the platen will stop if the gate is opened at any point in the baling cycle.
3. Chamber door switch to insure door is completely closed and locked while the baler is operating in the automatic mode.
4. Safety switch to insure a complete shut down when ram completes the full automatic cycle.

L. Finish

1. High quality industrial enamel paint.

M. Warranty

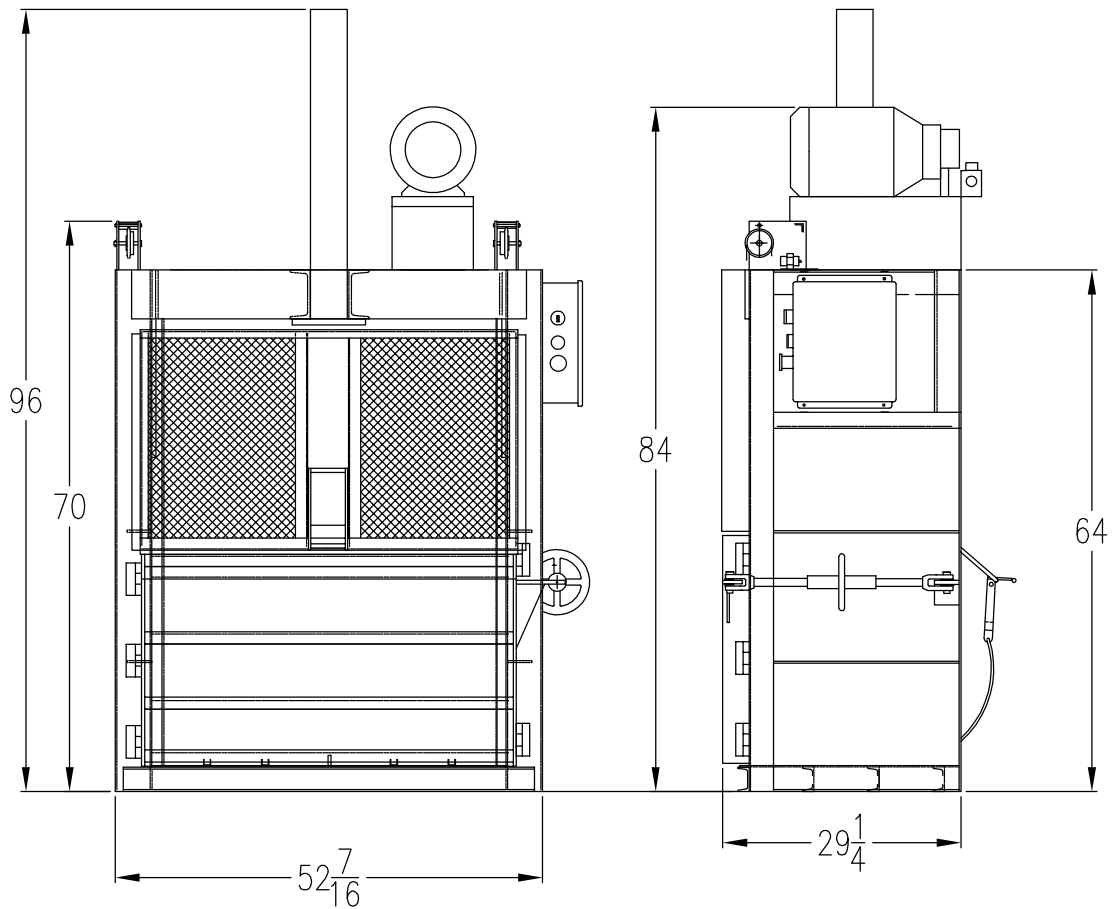
1. One full year on defective parts and replacement labor.

N. Service and Parts

1. Factory authorized Parts and Service Organization with 24 hour customer service hotline.

O. Special Safety Benefits

1. Safety/Operational Videotape provided with each baler.
2. \$10,000,000 Product Liability Insurance Coverage



FRONT VIEW

SIDE VIEW

SPECIFICATIONS

BALE WEIGHT	_____	300-450
BALE SIZE	_____	42" X 22" X 30"
FEED OPENING	_____	21" X 42"
TOTAL CHAMBER VOLUME	_____	29 cu ft.
PLATEN AREA	_____	861 sq.in.
PLATEN PRESSURE		
WORKING	_____	20100 LBS
RELIEF	_____	26300 LBS
AVERAGE CYCLE TIME	_____	54 SEC
CYLINDER BORE	_____	4"
CYLINDER STROKE	_____	32"
CYLINDER ROD	_____	2 1/2"
MOTOR	_____	3 HP (208/230/460-3 PHASE)