



800-523-3654

BALER & COMPACTOR

www.ptrco.com

Vertical Balers



3600HDLP

Vertical Downstroke Baler

Designed For:

* Malls * Retail Chains * Supermarkets * Hotels * Hospitals *

A popular high density downstroke 60" baler the 3600HDLP is constructed with heavy duty structural steel and fits under an 8 foot ceiling.

Dimensional Data

Overall (Width x Depth x Height)	78 1/2" x 47 1/2" x 95 1/2"
Feed Height	33"
Baler Chamber (Depth x Height)	30" x 48"
Load Opening (Width x Height)	60" x 19"

Bale Size

Bale Width	60"
Bale Depth	36"
Bale Height	30"
Bale Weight	600 to 800 lbs

Performance Characteristics

Cylinder Bore	6" x 3 1/2"
Rod Stroke	27"
Motor	10 hp
Cycle Time	50 sec
Systems Pressure	2400 – 2800 psi
Platen Force	67850 lbs
Control Voltage	110 – 120 VAC
Electrical Motor	3 Phase
	208 / 230 / 460

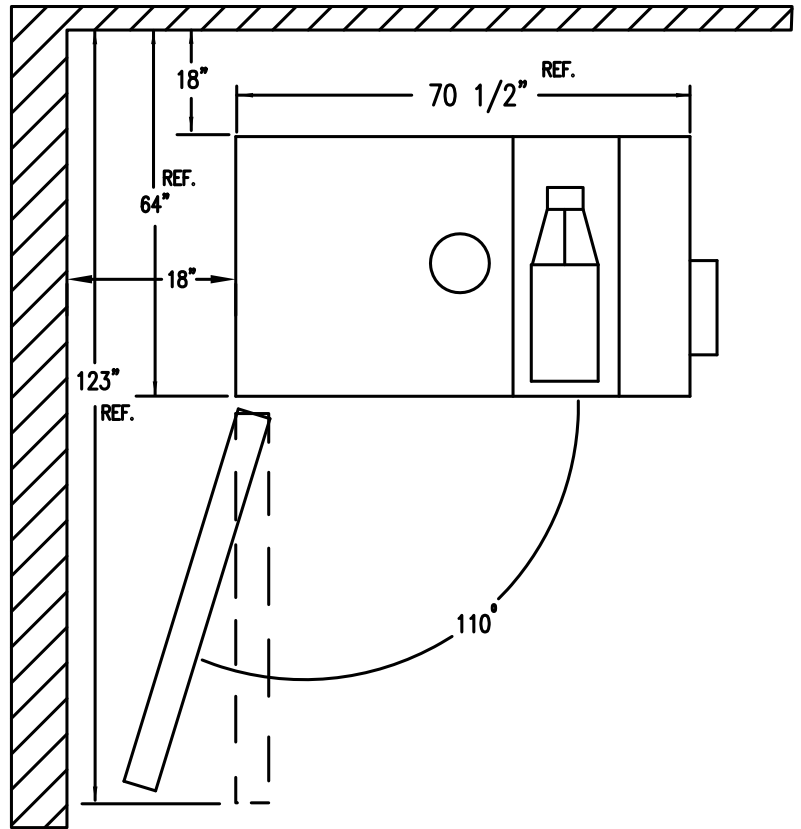


PTR Baler & Compactor Company • 2207 E Ontario St. • Philadelphia, PA 19134
 215-533-5100 • (FAX) 215-533-8906 • 800-523-3654 • www.PTRCO.com

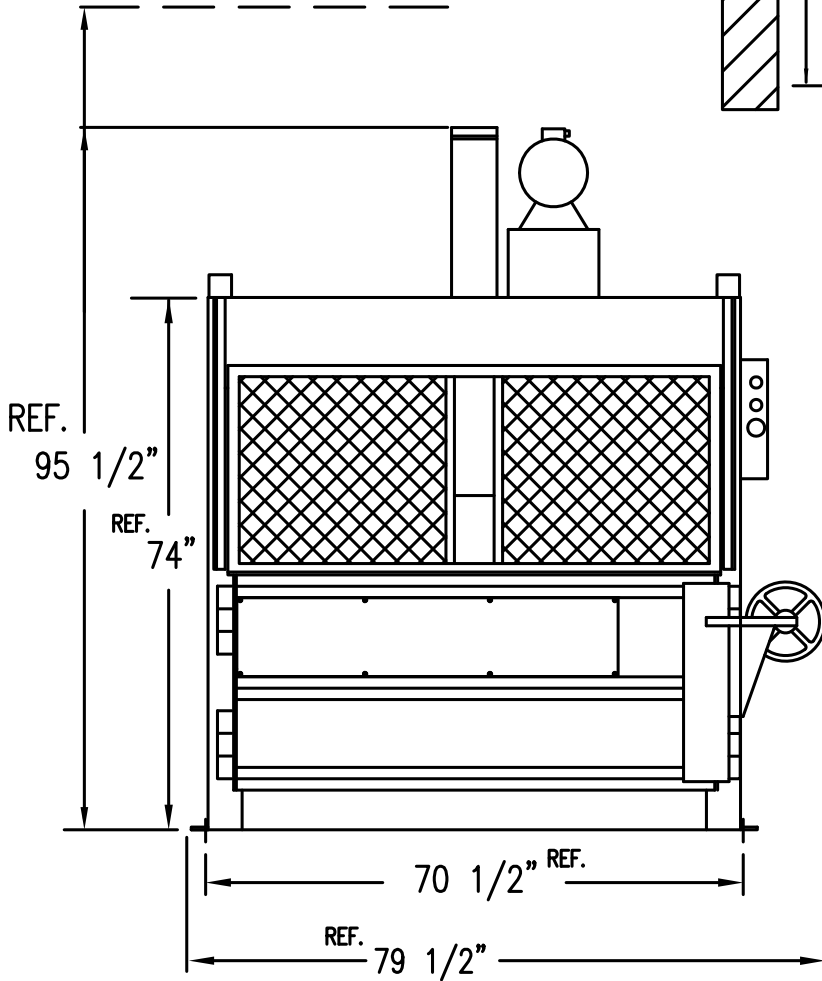


Printed in the U.S.A.
 © PTR Baler & Compactor

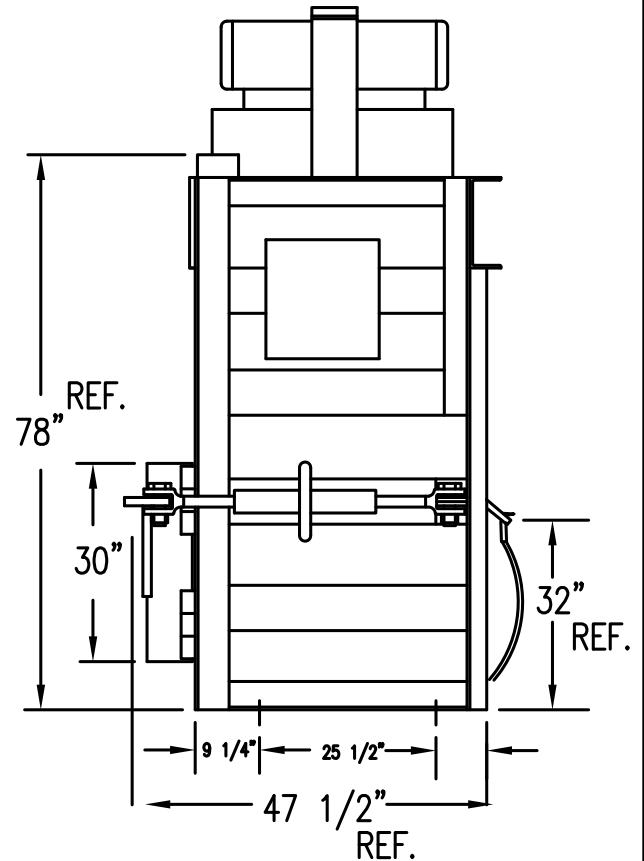
PTR BALER & COMPACTOR CO.



MAX TIP UP HEIGHT 103"



FRONT VIEW



SIDE VIEW

RAM STOPS APPROX. 20" FROM FLOOR

7/5/95