



**800-523-3654**

# BALER & COMPACTOR

[www.ptrco.com](http://www.ptrco.com)

## Vertical Balers



# 3400HD-LP

Vertical Downstroke Baler

Designed For:

- Warehouses \* Retail Chains \* Distribution Centers \* Manufacturing Plants \*

This Low profile baler is ideal for limited ceiling heights or low clearance. This powerful heavy duty machine is specifically engineered for applications with limited height or width. The 3400HD-LP has all of the important safety features that make us the leader in the vertical industry.

### Dimensional Data

Overall (Width x Depth x Height)	78" x 41" x 142"
Feed Height	54.5"
Baler Chamber (Depth x Height)	30" x 48"
Load Opening (Width x Height)	60" x 27"

### Bale Size

Bale Width	60"
Bale Depth	30"
Bale Height	24"
Bale Weight	800 to 1,000 lbs

### Performance Characteristics

Cylinder Bore	6" x 3"
Rod Stroke	38"
Motor	10 hp
Cycle Time	50 sec
Systems Pressure	2400 – 2600 psi
Platen Force	67,850 lbs
Control Voltage	110 – 120 VAC
Electrical Motor	3 Phase
	208 / 230 / 460



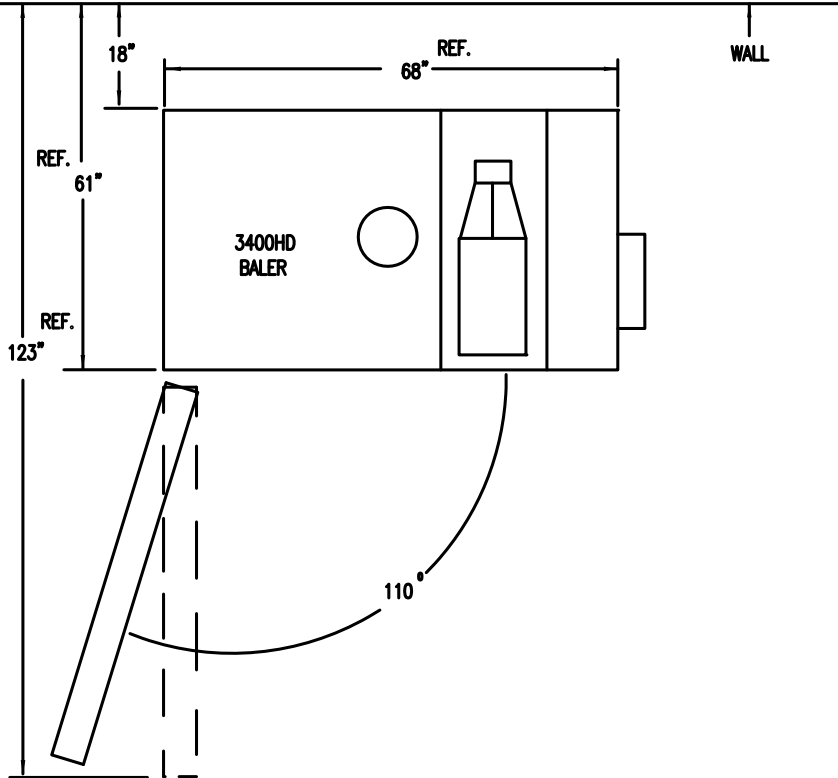
PTR Baler & Compactor Company • 2207 E Ontario St. • Philadelphia, PA 19134  
 215-533-5100 • (FAX) 215-533-8906 • 800-523-3654 • [www.PTRCO.com](http://www.PTRCO.com)



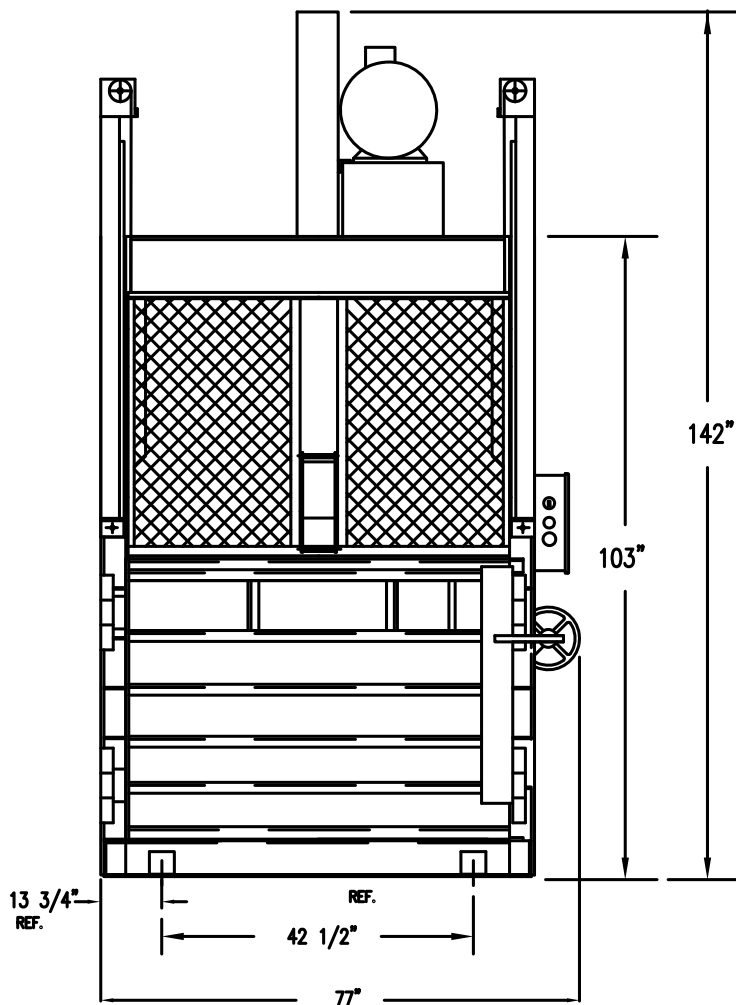
Printed in the U.S.A.  
 © PTR Baler & Compactor

# PTR BALER & COMPACTOR

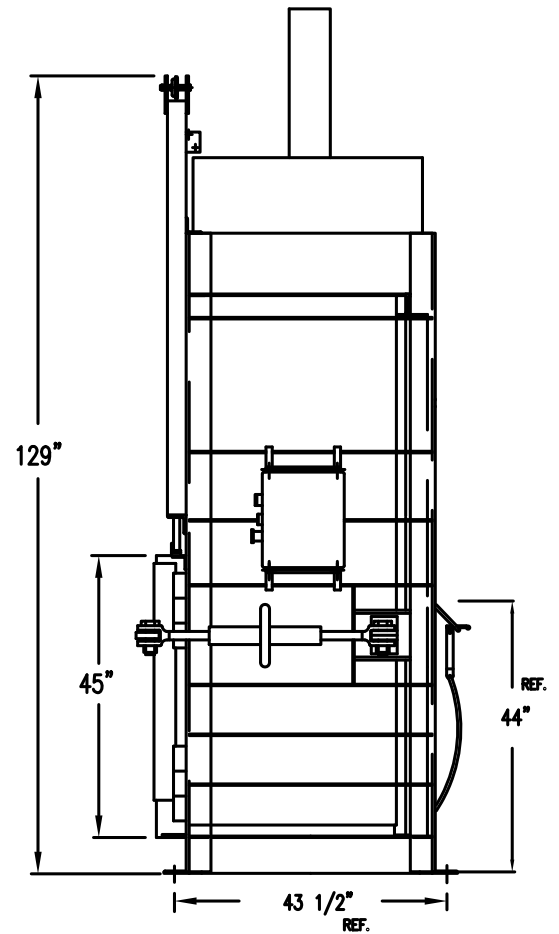
NOT TO SCALE  
 ALL DIMENSIONS FOR  
 REFERENCE ONLY. ACTUAL  
 MEASUREMENTS MAY VARY SLIGHTLY.



STANDARD COLOR: BALER GREEN 13-793



FRONT VIEW

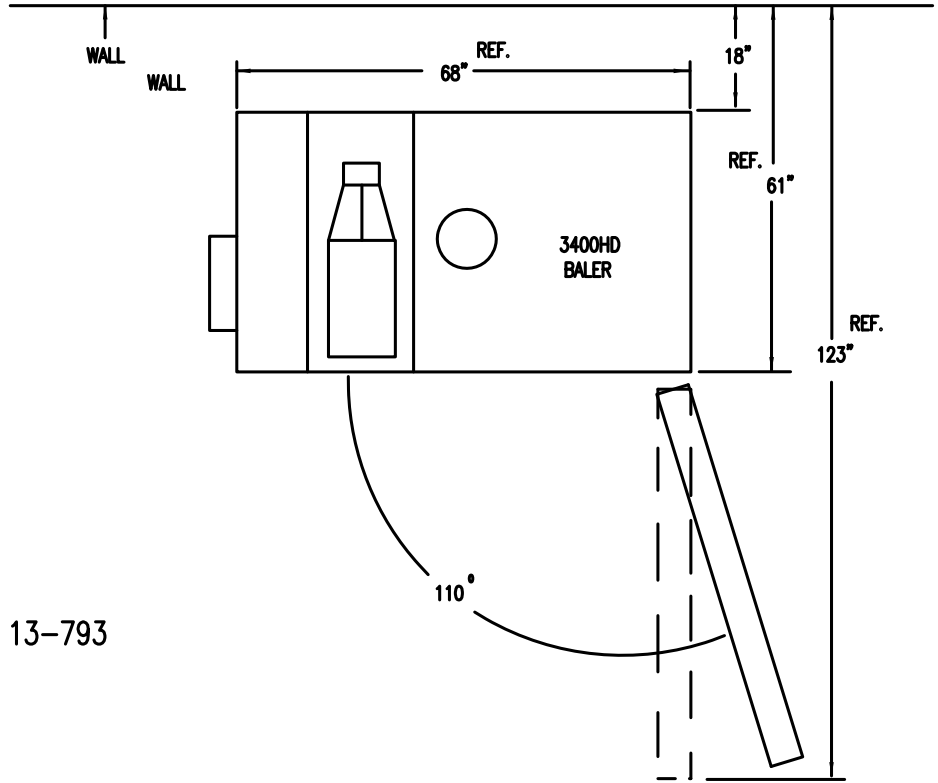


SIDE VIEW

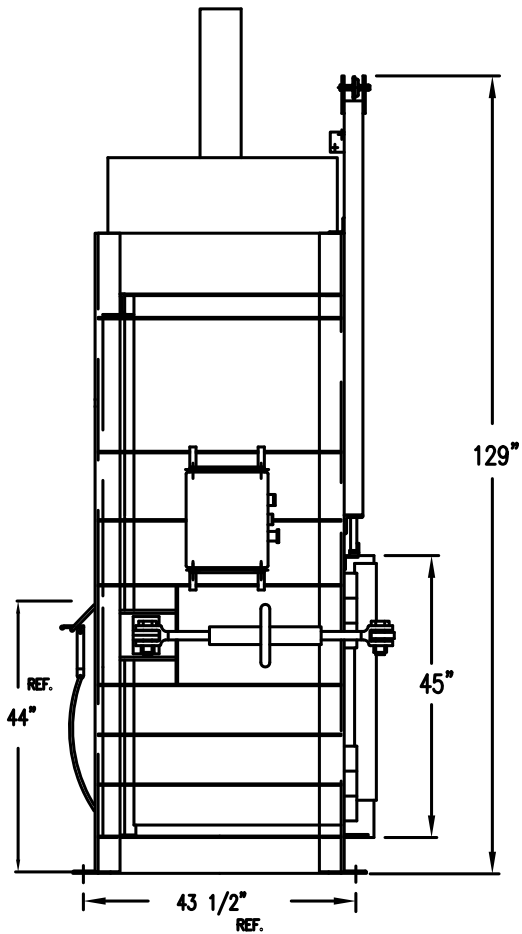
7/3/95

# PHILADELPHIA TRAMRAIL COMPANY

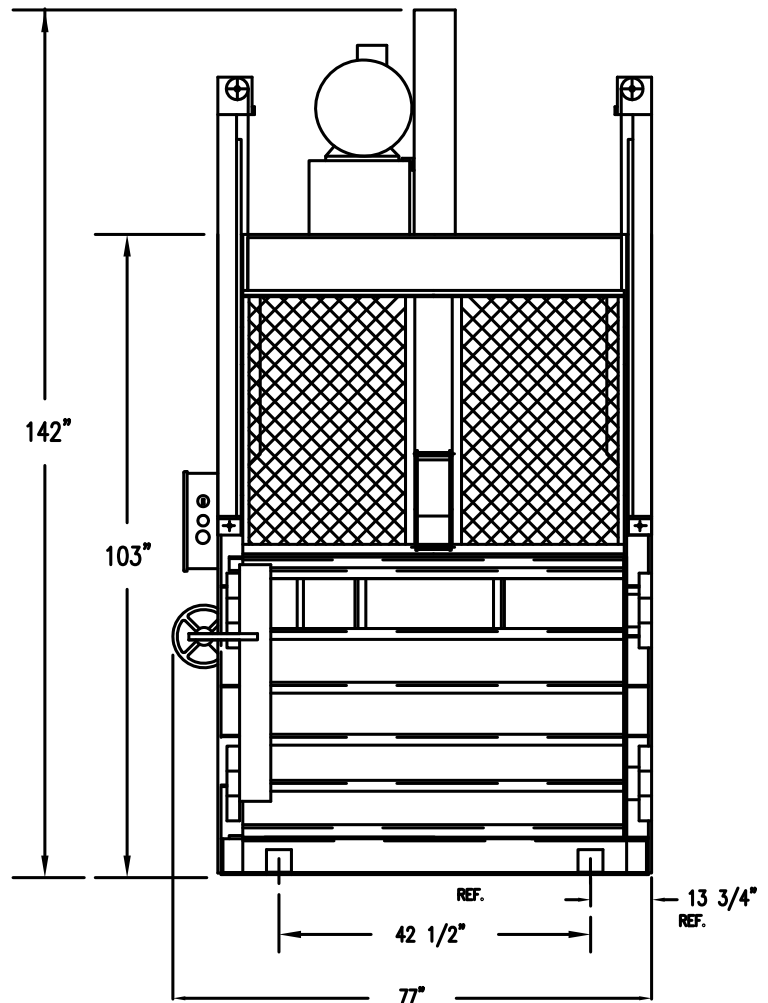
NOT TO SCALE  
 ALL DIMENSIONS FOR  
 REFERENCE ONLY. ACTUAL  
 MEASUREMENTS MAY VARY SLIGHTLY.



STANDARD COLOR: BALER GREEN 13-793



SIDE VIEW



FRONT VIEW

7/3/95