



800-523-3654

BALER & COMPACTOR

www.ptrco.com

Vertical Balers

Totally
 Listed!



3400HD

Vertical Downstroke Baler

Designed For:

- * Supermarkets * Retail Centers * Hospitals * Hotels *
- Malls *

PTR's Flagship signature series Vertical Downstroke Baler the 3400HD was the first High Density baler to hit the market place. With over 10,000 units produced PTR leads the way time and time again!

Dimensional Data

Overall (Width x Depth x Height)	78" x 41" x 152"
Feed Height	54.5"
Baler Chamber (Depth x Height)	30" x 48"
Load Opening (Width x Height)	60" x 27"

Bale Size

Bale Width	60"
Bale Depth	30"
Bale Height	48"
Bale Weight	1,000 to 1,300 lbs

Performance Characteristics

Cylinder Bore	6" x 3 1/2"
Rod Stroke	48"
Motor	10 hp
Cycle Time	56 sec
Systems Pressure	2400 – 2800 psi
Platen Force	67,850 lbs
Control Voltage	110 – 120 VAC
Electrical Motor	3 Phase
	208 / 230 / 460

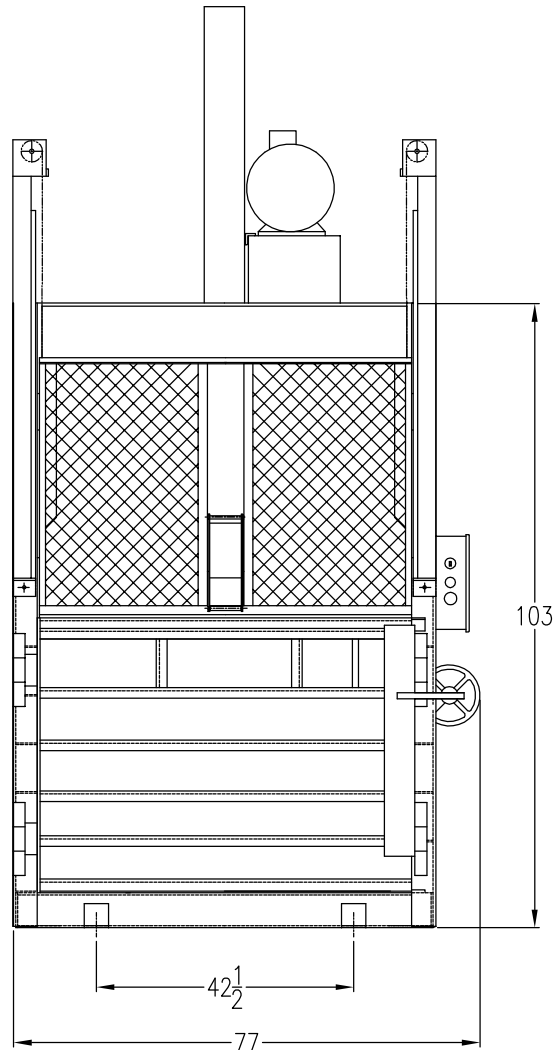
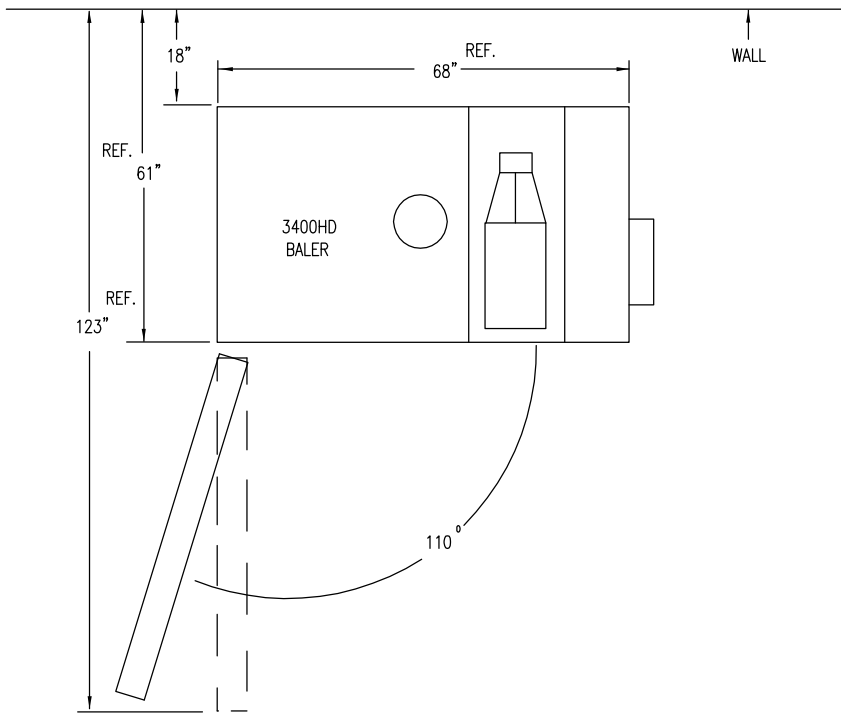


PTR Baler & Compactor Company • 2207 E Ontario St. • Philadelphia, PA 19134
 215-533-5100 • (FAX) 215-533-8906 • 800-523-3654 • www.PTRCO.com

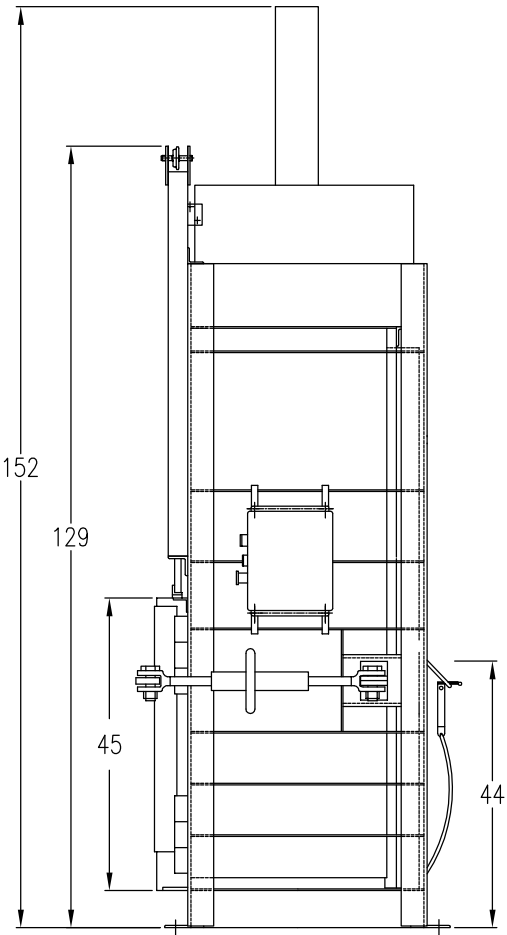


Printed in the U.S.A.
 © PTR Baler & Compactor

PTR BALER & COMPACTOR



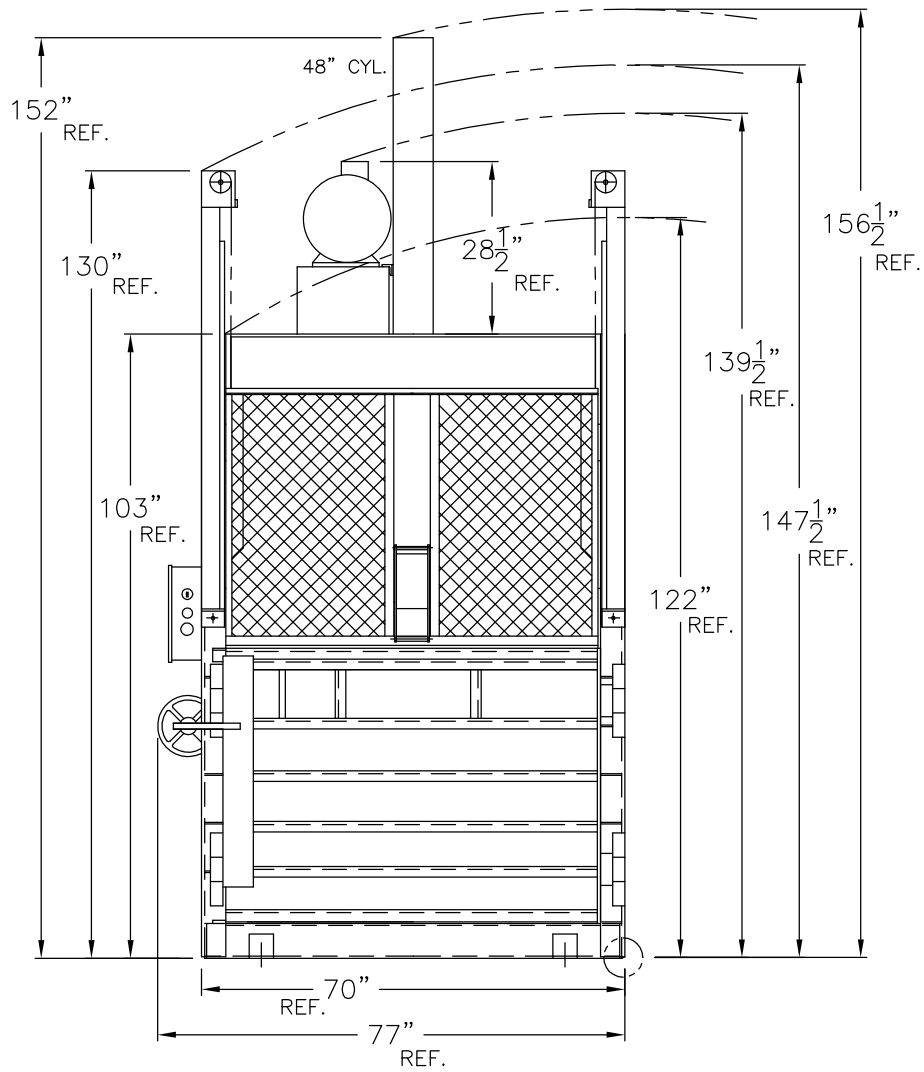
FRONT VIEW



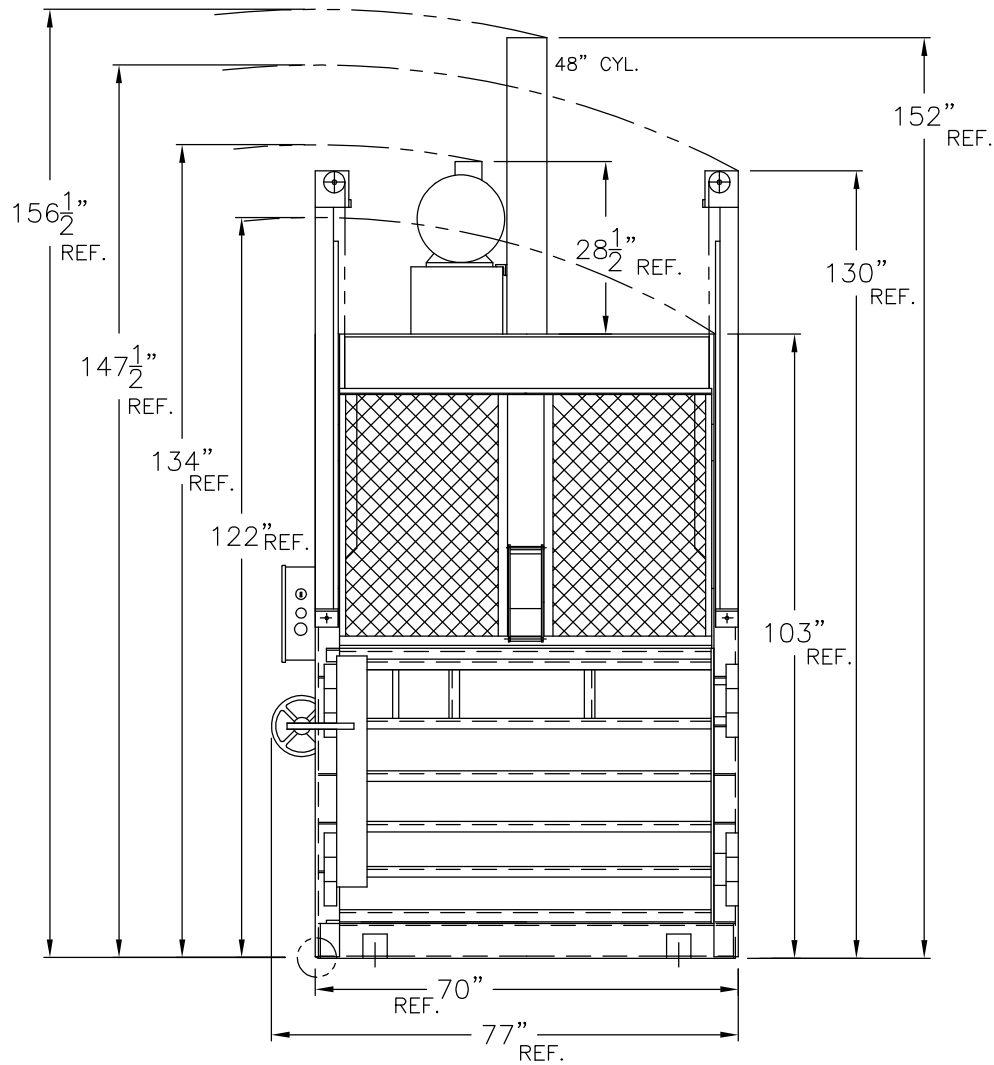
SIDE VIEW

TITLE: 3400HD CEILING HEIGHT REQ. FOR TIPPING UPRIGHT AT INSTALL DWG. NO: AB401985

PTR BALER & COMPACTOR



3400HD



3400HD