



800-523-3654

BALER & COMPACTOR

www.ptrco.com

Vertical Balers



2318

Vertical Downstroke Baler

Designed For:

* Supermarkets * Retail Chains * Hospitals * Hotels * Malls *

This low profile baler is ideal for limited ceiling heights or low clearance. This powerful heavy duty machine is specifically engineered for applications with limited height yet offers a 60" mill sized bale. The 2318 has all of the important safety features that make us the leader in the vertical industry.

Dimensional Data

Overall (Width x Depth x Height)	68.5" x 43" x 138"
Feed Height	43"
Baler Chamber (Depth x Height)	30" x 34.5"
Load Opening (Width x Height)	49" x 25"

Bale Size

Bale Width	60"
Bale Depth	30"
Bale Height	36"
Bale Weight	600 to 800 lbs

Performance Characteristics

Cylinder Bore	6" x 3"
Rod Stroke	48"
Motor	10 hp
Cycle Time	50 sec
Systems Pressure	2000 – 2300 psi
Platen Force	56,520 lbs
Control Voltage	110 – 120 VAC
Electrical Motor	3 Phase
	208 / 230 / 460



PTR Baler & Compactor Company • 2207 E Ontario St. • Philadelphia, PA 19134
 215-533-5100 • (FAX) 215-533-8906 • 800-523-3654 • www.PTRCO.com



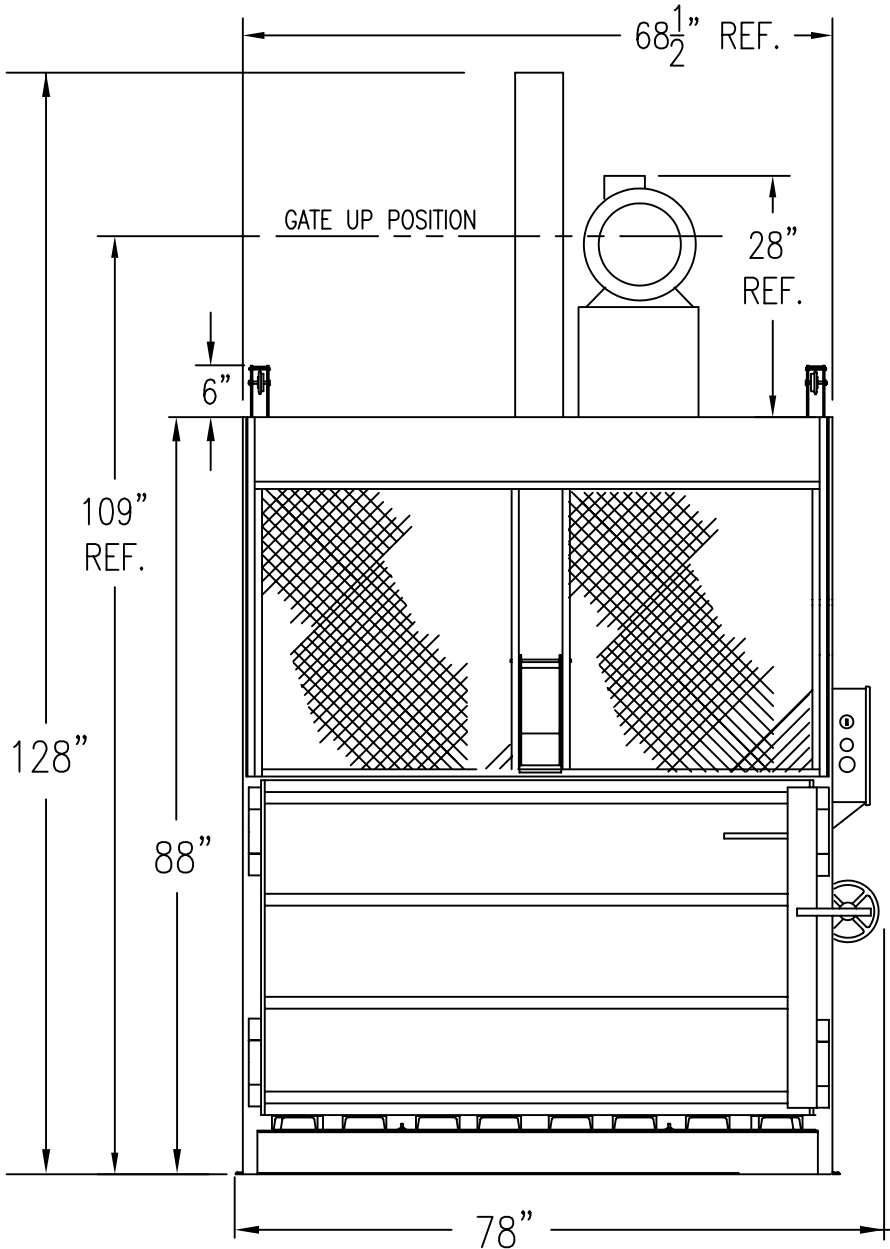
2318

60" HIGH DENSITY VERTICAL BALER SPECIFICATIONS

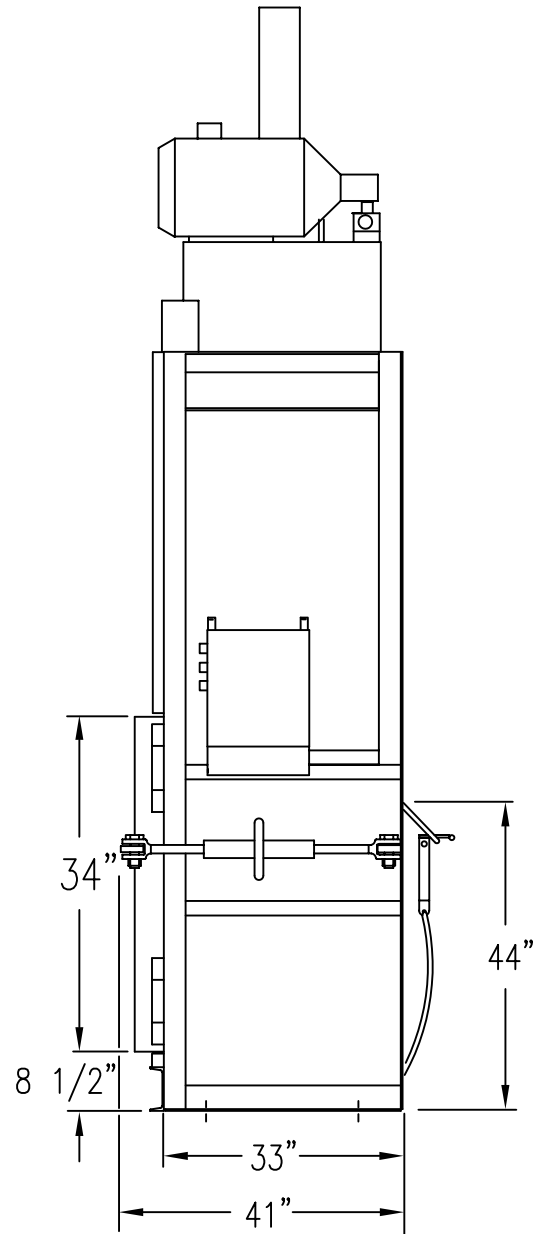
- A. **Manufactured**
1. To meet American National Standard Institute Specifications Z245.5 - 1997
 2. Total UL Approval on entire baler including all electrical, mechanical & hydraulic components
- B. **Capacity**
1. 750 - 950 lb. corrugated bale weights
- C. **Frame**
1. Bale Chamber of 60" x 36" x 30"
 2. Frame width of 75" maximum
 3. Frame depth of 40" maximum
 4. Frame height of 88" maximum
 5. Height of 128" maximum
 6. Weight: 4,100 lbs.
- D. **Ram**
1. A 3/8" thick ram platen of trapezoid shape
 2. Ram sides of one piece formed plate for proper force distribution while under extreme pressure
 3. Platen, steel and nylon wear pads guided on sides to maximize direction of hydraulic forces
 4. Weld construction utilizing the Outershield welding procedure; providing 92,000 PSI weld tensile strength
- E. **Cylinder**
1. Single stage, double acting 6" bore, 38" stroke, 3 1/2" rod cylinder with a 2" thick mounting flange on the rod end
 2. The cylinder is connected to the platen in a manner that eliminates the compression force from acting on the connecting pin during the compression cycle
 3. High density machined steel cylinder cup
- F. **Power Unit**
1. Will be tri-voltage, three-phase
 2. Will be 10 HP Motor unit producing maximum ram forces of over 70,000 lbs.
- G. **Charging Gate**
1. Gate is counter balanced with weights through a link chain and sprocket system
 2. Gate is manual, safety, pull down type with automatic lifting capability, moving on replaceable nylon wear guides

- H. **Bale Chamber Door**
1. Door structure and hinges capable of withstanding the forces generated by the power unit, during the baling cycle
 2. Door lock system will engage and disengage by a 10" cast steel hand wheel assembly, capable of safely holding the door in a locked position and allowing a slow diminishing of forces against the door when opening
- I. **Semi-Automatic Bale Ejector System**
1. Consist of heavy-duty 1/4" link chains, attached to T Hooks on one end and to the baler frame on the other end
 2. T Hooks are designed to automatically disengage on the first down cycle of the ram in the automatic mode
- J. **Control Panel**
1. Will provide a manual and automatic mode of operation
 2. Will have a key operated power On/Off Switch, and manual Up-Down/Start combination switch, and an emergency stop button
- K. **Automatic Safety Electrical Systems**
1. A concealed electric magnetic field proximity switch to insure charging gate is closed and remains closed during travel of ram
 2. An activator ram switch to insure that the platen will stop if the gate is opened at any point in the baling cycle
 3. Chamber door switch to insure door is completely closed and locked while the baler is operating in the automatic mode
 4. Safety switch to insure a complete shut down when ram completes the full automatic cycle
- L. **Finish**
1. High quality industrial enamel paint
- M. **Warranty**
1. One Year Parts & Labor
- N. **Service and Parts**
1. Factory authorized Parts and Service Organization with 24-Hour Customer Service Hotline
 - 2.
- O. **Special Safety Benefits**
1. Safety/Operational Videotape provided with each baler
 2. \$10,000,000 Product Liability Insurance Coverage

PTR BALER & COMPACTOR



FRONT VIEW

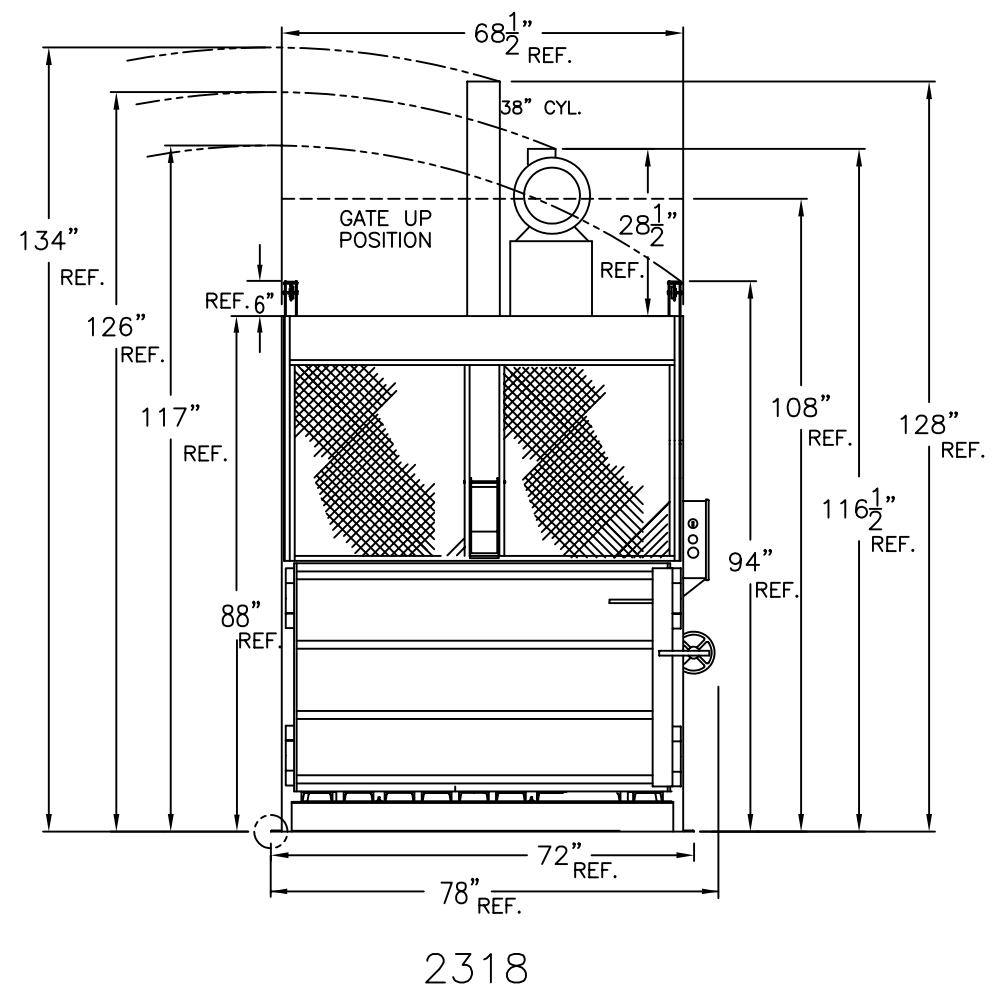
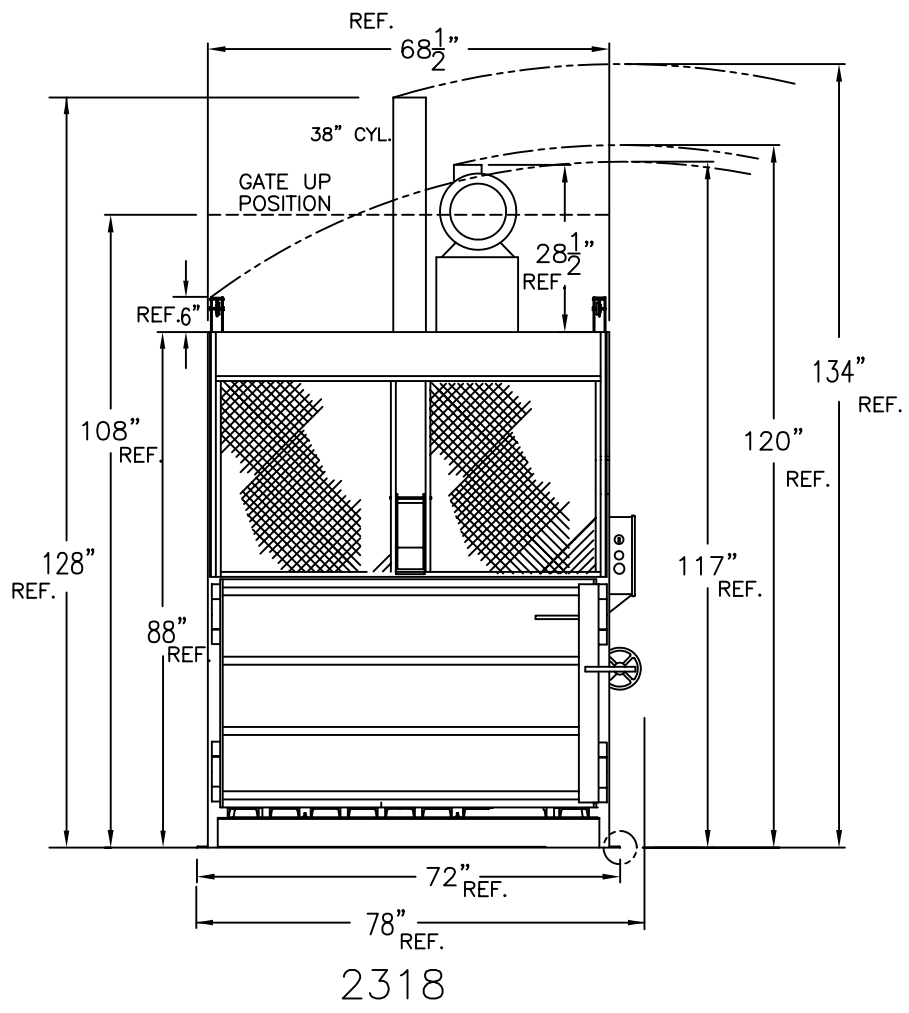


RIGHT SIDE

BALE SIZE: 60" X 30" X 36"

ESTIMATED BALE WEIGHT: 650 TO 850 LBS.

TITLE: 2318 CEILING HEIGHT REQ. FOR TIPPING UPRIGHT AT INSTALL DWG. NO: AB401983



NOT TO SCALE