

# PTR

800-523-3654

# BALER & COMPACTOR

www.ptrco.com

## Vertical Balers

Totally  
  
Listed!



# 2300HD-LP

Vertical Downstroke Baler

Designed For:

\* Warehouses \* Retail Chains \* Distribution Centers \* Manufacturing Plants \*

This Low profile baler is ideal for limited ceiling heights or low clearance. This powerful heavy duty machine is specifically engineered for applications with limited height or width. The 2300HD-LP has all of the important safety features that make us the leader in the vertical industry.

### Dimensional Data

Overall (Width x Depth x Height)	68.5" x 43" x 143"
Feed Height	24"
Baler Chamber (Depth x Height)	30" x 34.5"
Load Opening (Width x Height)	49" x 16"

### Bale Size

Bale Width	60"
Bale Depth	30"
Bale Height	24"
Bale Weight	350 to 500 lbs

### Performance Characteristics

Cylinder Bore	6" x 3"
Rod Stroke	48"
Motor	10 hp
Cycle Time	50 sec
Systems Pressure	2000 – 2300 psi
Platen Force	64,998 lbs
Control Voltage	110 – 120 VAC
Electrical Motor	3 Phase 208 / 230 / 460

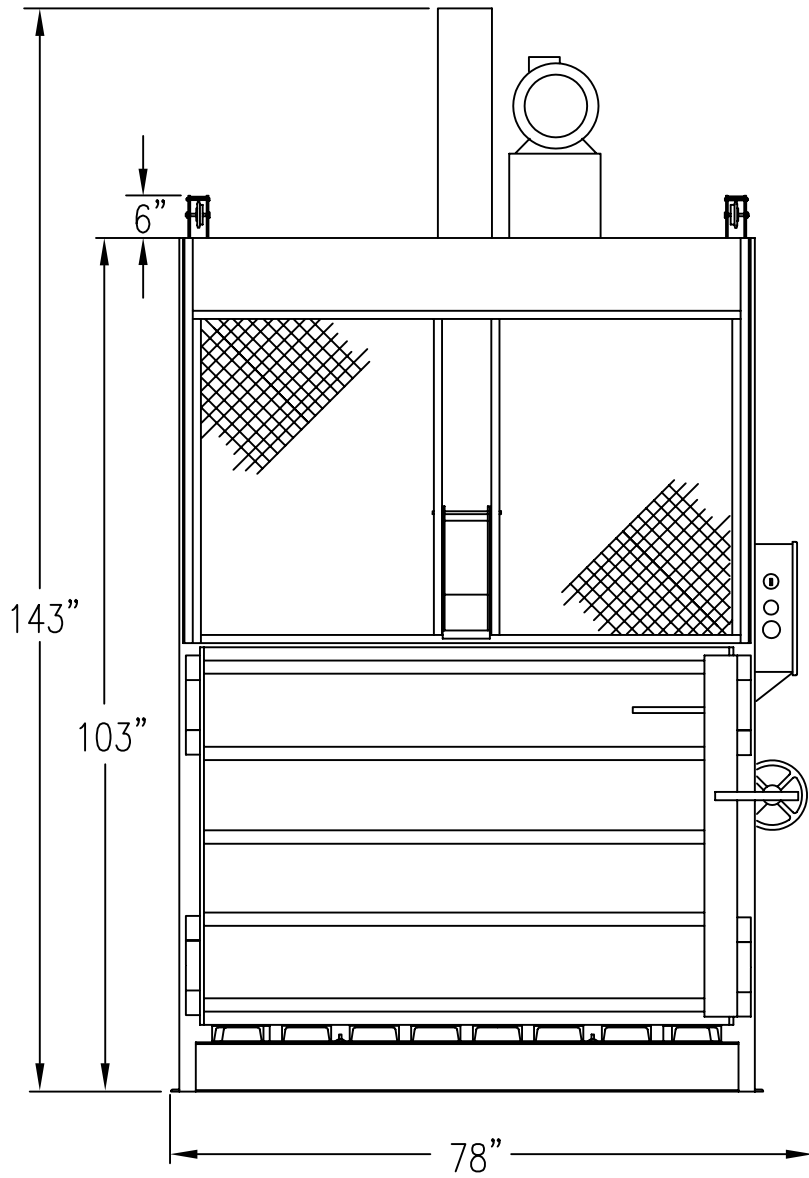


PTR Baler & Compactor Company • 2207 E Ontario St. • Philadelphia, PA 19134  
215-533-5100 • (FAX) 215-533-8906 • 800-523-3654 • www.PTRCO.com

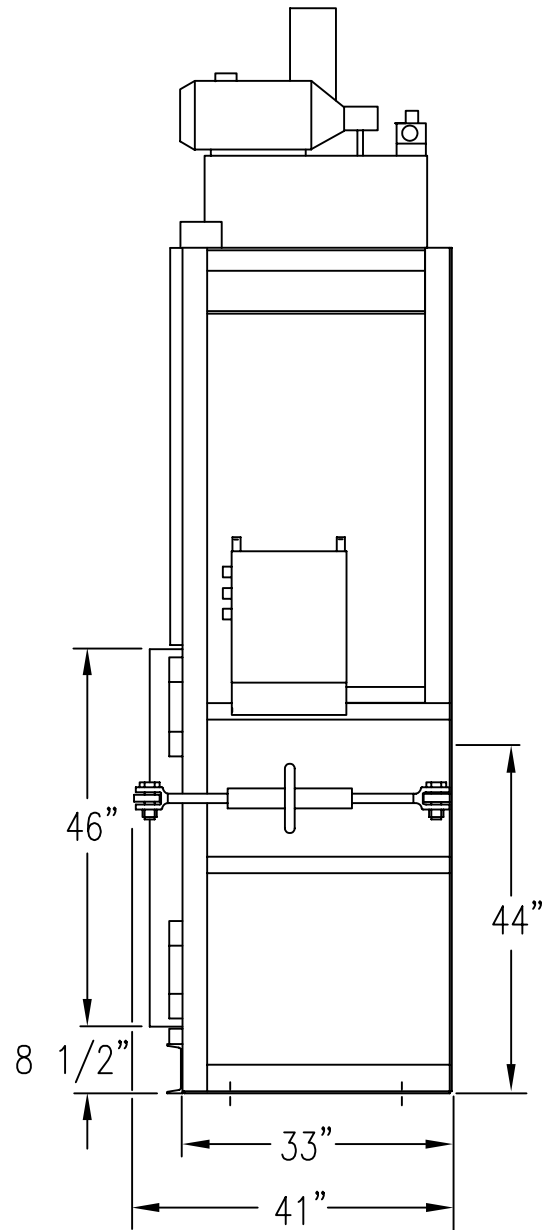


Printed in the U.S.A.  
© PTR Baler & Compactor

# PTR BALER & COMPACTOR



FRONT VIEW



RIGHT SIDE