

**PTR**

800-523-3654

**BALER & COMPACTOR**

[www.ptrco.com](http://www.ptrco.com)

# Vertical Balers

Totally  
  
 Listed!



## 1800HD

Vertical Downstroke Baler

Designed For:

\* Supermarkets \* Retail Chains \* Hospitals \* Hotels \* Malls \*

This low profile baler is ideal for limited ceiling heights or low clearance. This powerful heavy duty machine is specifically engineered for applications with limited height or width. The 1800HD has all of the important safety features that make us the leader in the vertical industry.

### Dimensional Data

Overall (Width x Depth x Height)	65.5" x 33" x 138"
Feed Height	42.5"
Baler Chamber (Depth x Height)	30" x 34.5"
Load Opening (Width x Height)	51" x 23"

### Bale Size

Bale Width	48"
Bale Depth	30"
Bale Height	36"
Bale Weight	400 to 600 lbs

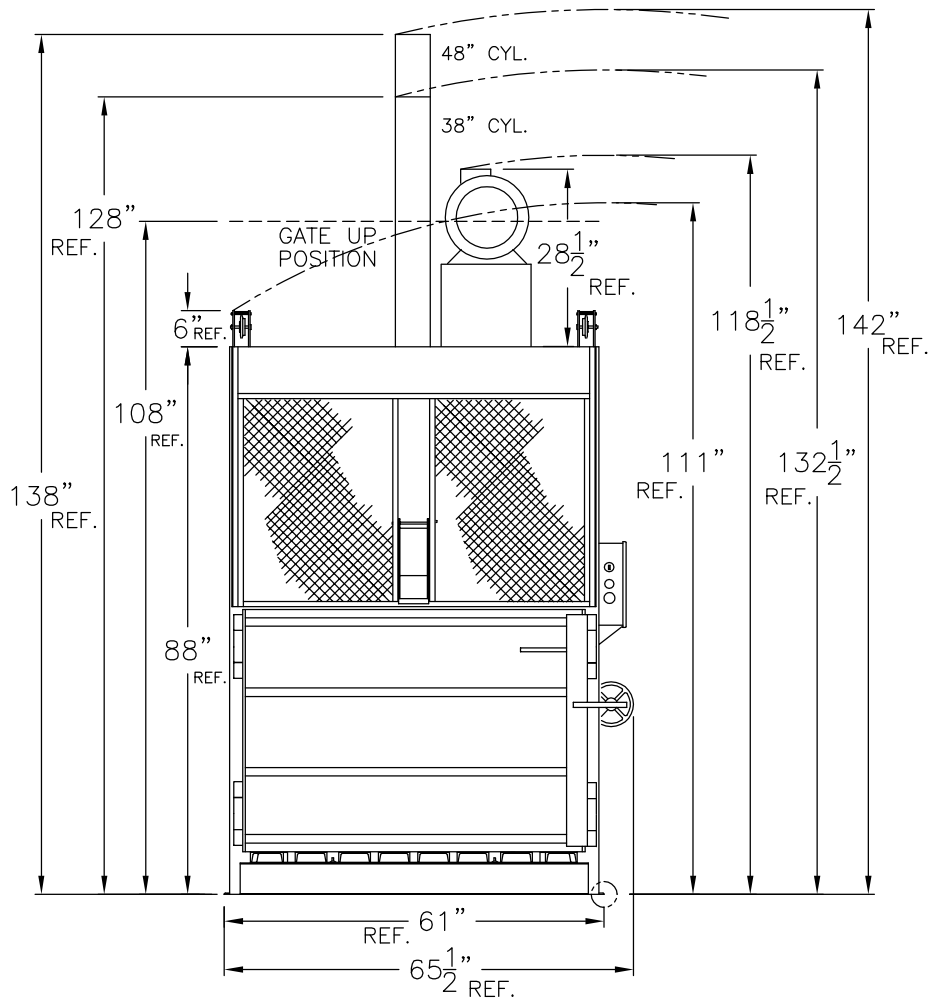
### Performance Characteristics

Cylinder Bore	6" x 3"
Rod Stroke	48"
Motor	10 hp
Cycle Time	56 sec
Systems Pressure	1700 – 2300 psi
Platen Force	48,000 lbs
Control Voltage	110 – 120 VAC
Electrical Motor	3 Phase
	208 / 230 / 460

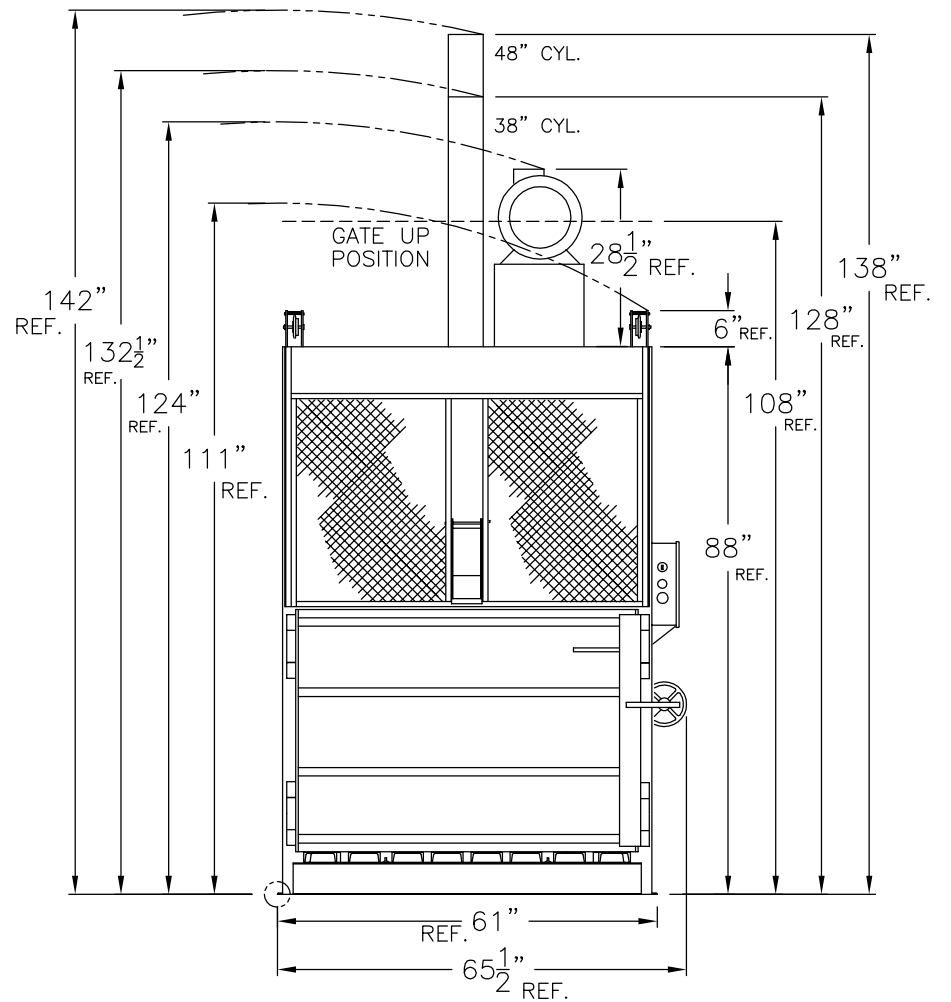


PTR Baler & Compactor Company • 2207 E Ontario St. • Philadelphia, PA 19134  
 215-533-5100 • (FAX) 215-533-8906 • 800-523-3654 • [www.PTRCO.com](http://www.PTRCO.com)





1800HD



1800HD