

GP-44

Automatic Strapping Machine



The GP-44 Automatic Strapping Machine. Designed and developed for most general purpose industrial strapping applications. Adaptable to all popular arch sizes and strap sizes by simple kits. The GP-44 offers the highest quality, reliability, simplicity and safety.

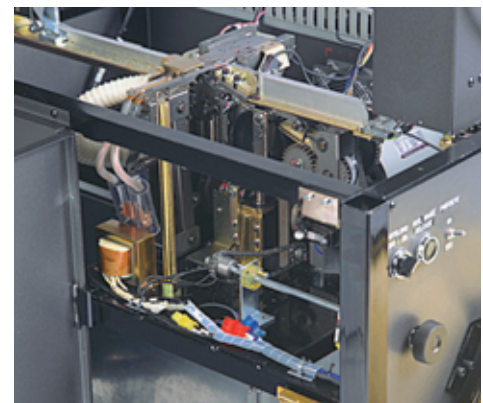
The Best Choice...The Only Choice

GP-44 Automatic Strapping Machine

- Capable of up to 44 straps per minute
- Programmable controlled with limited diagnostics
- Outside reel with automatic, waist-high strap loading
- Electric, no-adjust reel brake
- Movable, magnetic control box to facilitate any operation position
- Safety switches on table tops and front door
- Loop ejector to eject accidentally actuated straps
- Long life heater blade with smoke exhaust system
- Power savings system. Motors run only during strap cycle
- Outside tension adjust knob
- Portable on casters
- Choice of all popular strap widths: 5mm, 6mm, 6.5mm, 7mm, 9mm and 12mm. Available with 8"x 8" or 9"x 8" core
- Easily changed arch assembly using the standard machine body. Simple kits allow width or height expansion of the arch to all popular sizes
- Seven digit, non-reset maintenance counter
- Stainless steel table top with rollers, standard
- Automatic refeed mechanism

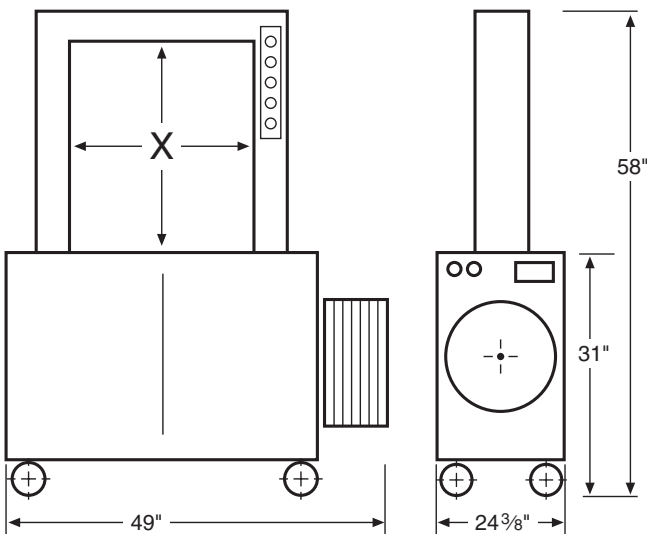


Waist-high, Automatic Strap Loading. Simple Diagnostics.



Simple Seal Engine. Minimal Parts.

SPECIFICATIONS



X=Std. arch 23" x 23", others available

Model: GP-44
Speed: Up to 44 straps per minute
Power: 110 volt single phase, others available
Tension: External, fully adjustable range
Strap Sizes: 5mm to 12mm on 8"x 8" or 9"x 8" core
Arch Sizes: Width 23" to 63"
 Height 23" to 39"
Weight: 462 lbs.
Table Top Height: 31", adjustable height available
Min. Package Size: 4" wide x 2" high Compressible
 6" wide x 2" high Non-Compressible

- Options:**
- Single or Dual Foot Pedals
 - Adjustable Casters Adding up to 4" in Height
 - Soft Press
 - Hard Press
 - Quick Change Reel



6277 HEISLEY ROAD
 MENTOR, OHIO 44060
 (440) 357-1500
 FAX (440) 352-9553
 1-800-548-9557

WEST COAST DISTRIBUTION CENTER
 12332 BELL RANCH DRIVE
 SANTA FE SPRINGS, CA 90670
 (562) 903-4576
 FAX (562) 903-4579
 1-800-899-0822