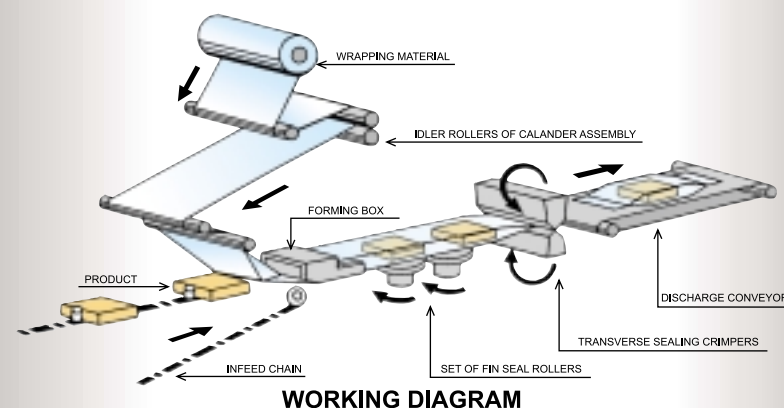
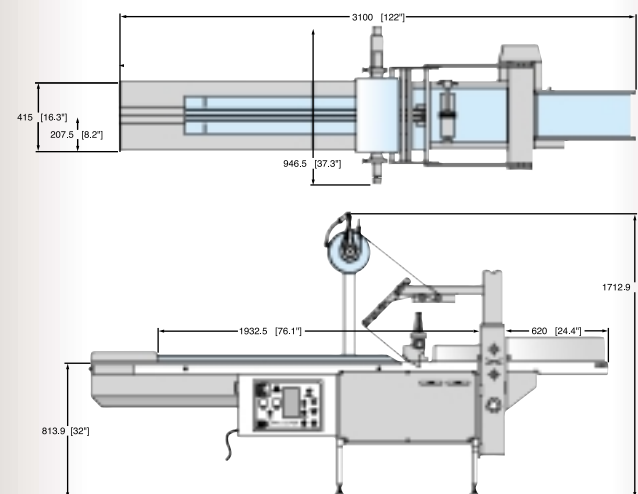


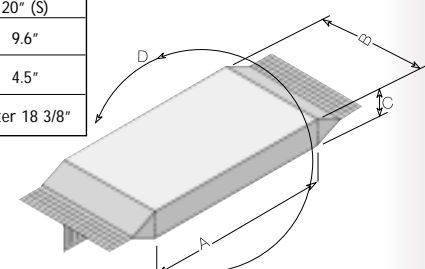
Packaging Machinery

PFM-30 LAYOUT VIEW



WORKING DIAGRAM

PRODUCT DIMENSIONS		
	MIN.	MAX.
A	2"	16" (M) 20" (S)
B	0.2"	9.6"
C	0.1"	4.5"
D	Max. Package perimeter 18 3/8"	



NOTE: Technical data and layout provided for reference purposes only. PFM reserves the right to change/modify technical data and layout without prior notice. Please contact PFM to confirm current specifications.



Packaging Machinery



PFM 30M / 30S

PFM S.p.A
 ITALY
 Via Pasubio, 49-36036
 Torrelvicino (VI) Italy
 Tel: (+39) 0445.570.110
 Fax: (+39) 0445.570.175
 Web: www.pfm.it
 E-mail: pfm@pfm.it

PFM PACKAGING MACHINERY CORP.
 USA & CANADA
 1271 Ringwell Drive
 Newmarket, Ontario L3Y 7V1
 Tel: 905-836-6709
 Fax: 905-836-7763
 Web: www.pfmusa.com
 E-mail: info@pfmusa.com

PFM PACKAGING MACHINERY LTD.
 GREAT BRITAIN
 Unit 8/9, Intercity Way
 Leeds LS13-4LY
 Tel: (+44) 113.23.93.401
 Fax: (+44) 113.23.93.402
 E-mail: pfm@pfm-ltd.co.uk

PFM 30M / 30S



Machine Description

The PFM 30 is a horizontal form fill and seal machine to produce flow packs at speeds up to 120ppm, utilizing a wide variety of packaging materials (OPP, BOPP, Laminates, HLDPE, Polyolefin, etc.)

Its compact and ergonomic design along with its total versatility make the PFM 30 the ideal machine for operations where change overs are frequent and wrapping efficiency is a critical parameter.

Standard Features

- Compact, functional design
- Fully adjustable former
- Keypad control (30 S)
- Dog clutch to engage/disengage crimpers
- 5' (1.5mt.) infeed conveyor
- One film roll holder for a max. film width of 19.6"(500mm)
- Jaws up to 9.8" (250mm) wide and 6.7"(170mm) diameter
- Adjustable crimper height
- Easily removable product pushers
- Two sets of finwheels
- Torque limiter on crimperhead
- All parts in contact with the product are stainless steel or food approved plastic
- Two temperature controllers
- 2 axis system servo control (30 S)
- High quality, food grade, powder epoxy coating
- Extensive use of nonproprietary components

Main Options

- Print registration (30 S)
- 3rd set of foldover finwheels
- Extended infeed/discharge
- 2up bolt on jaws
- Hole punch jaws
- Quick change pitch
- Self centering reel holder (30 S)
- Automatic infeeds (30 S)
- Full stainless version
- Shrink version



Fully Adjustable Former

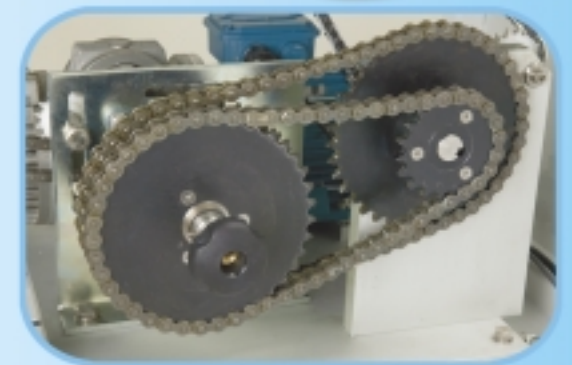
PFM 30 Super
 with Self Centering Reel Holder
 (Optional)



Finwheel Assembly with 3rd Set of Foldover Wheels
 (Optional)



30 M Control Panel



30 S Drive Assembly with Quick Change Pitch
 (Optional)