

# Packaging Machinery



# Falcon

---

# Falcon



Packaging - Processing  
**Bid on Equipment**  
1-847-683-7720  
[www.bid-on-equipment.com](http://www.bid-on-equipment.com)



Product examples.

The **PFM Falcon** is a horizontal flowrapper to produce pillow pack style packs from a single reel of flexible wrapping material.

**Ease of cleaning:** The PFM Falcon is of cantilevered design.

All the mechanical and electrical components are placed at the back of the machine in separate protected cabinets, leaving the front of the machine free from obstruction and allowing quick and easy cleaning for all product contact parts.

**Versatility:** The Falcon, an extremely flexible machine can handle a wide variety of products, thus reducing down time for change over.

It is available in 9 different versions to satisfy every production environment.





### Servo Version

A new PFM, user friendly, automatic programming facility which can easily store all the machine's functions for up to 60 separate programs via a touch screen control panel. Product changes are recalled automatically and include:

- Adjustment of product length
- Adjustment of speed
- Adjustment of print centring (registered wrapping material)
- Adjustment of printer position

In addition to the above special facilities are included such as "no product no bag" and automatic height adjustment of the transverse sealing jaws.

### Versions Available

- Mechanical (basic version)
- Electronic (2 axis)
- Servo with touch screen (3 axis)
- Long dwell, high speed
- Extra wide (up to 900 mm wide film)
- Stainless steel (AISI 304)
- Vertical crimpers
- "Shrink" with trim removal
- "Poly" for polyethylene (PE) wrapping material

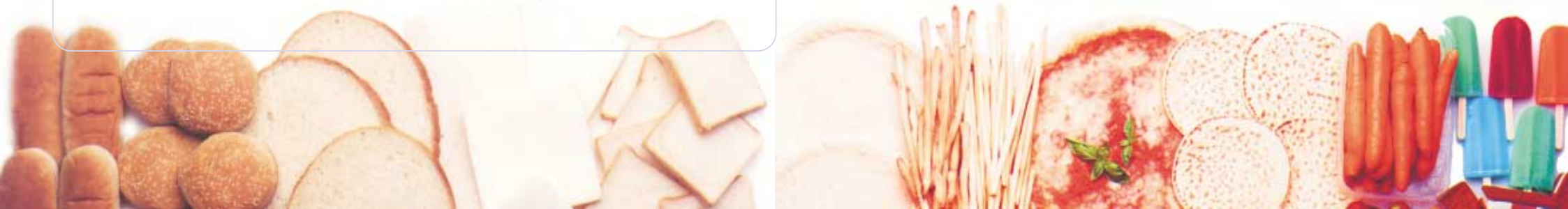


The **PFM Falcon** is a horizontal flowrapper to produce pillow pack style packs from a single reel of flexible wrapping material.

**Ease of cleaning:** The PFM Falcon is of cantilevered design. All the mechanical and electrical components are placed at the back of the machine in separate protected cabinets, leaving the front of the machine free from obstruction and allowing quick and easy cleaning for all product contact parts.

**Versatility:** The Falcon, an extremely flexible machine can handle a wide variety of products, thus reducing down time for change over. It is available in 9 different versions to satisfy every production environment.

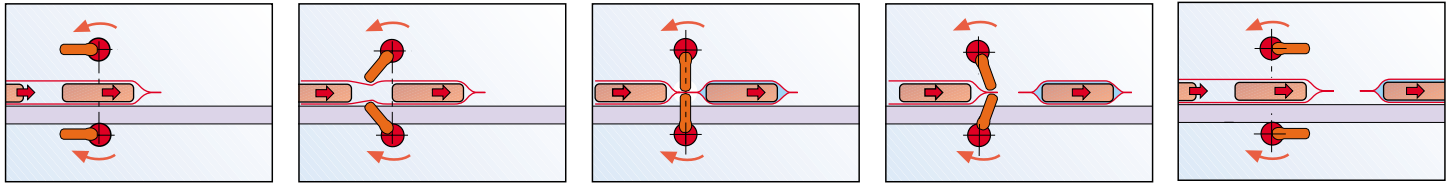
Packaging - Processing  
**Bid on Equipment**  
 1-847-683-7720  
[www.bid-on-equipment.com](http://www.bid-on-equipment.com)



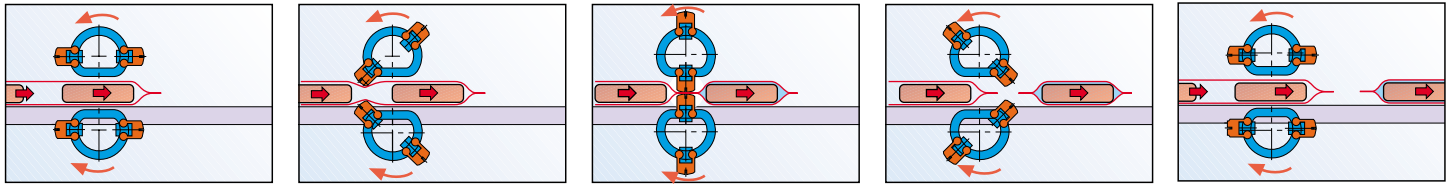
## LONG DWELL

Time, temperature and pressure are the three main factors which must be optimised to enable high integrity, hermetic seals.

The PFM Long Dwell and Long Dwell HS (high speed) sealing systems allow for a longer sealing time than the conventional rotary system. By taking advantage of the time and pressure element, hermetic sealing and high speed wrapping is possible.



1, 2 or 4 up rotary sealing system for small, medium or large sized products.



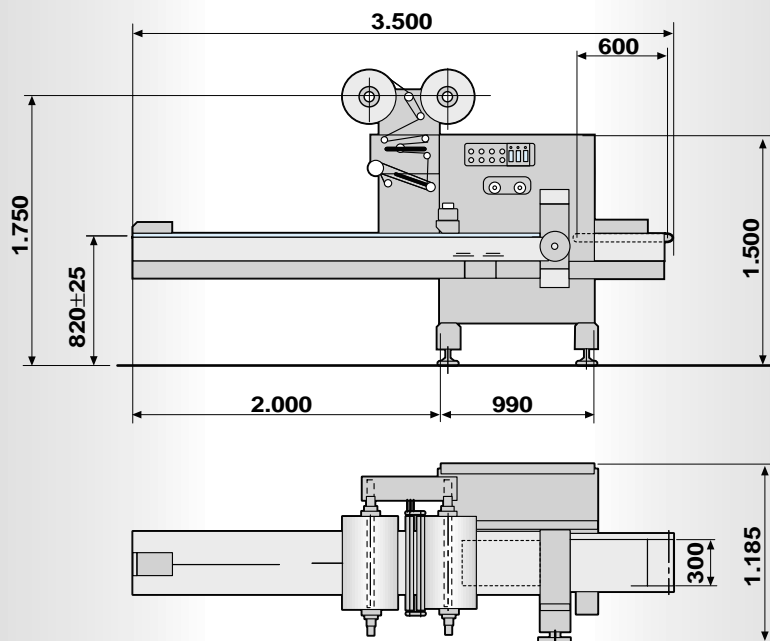
2, 3 or 4 up Long Dwell HS sealing system for small or medium sized products.

Packaging - Processing  
**Bid on Equipment**  
1-847-683-7720  
[www.bid-on-equipment.com](http://www.bid-on-equipment.com)



Automatic in-Line Feeder + Falcon





# Falcon

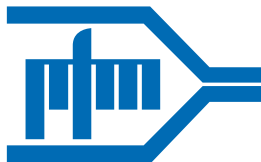
## Technical Data:

	Falcon	Falcon EW	Falcon LD-HS
Bag Length:	min 15, max 600 mm	min 15, max 600 mm	min 50, max 450 mm
Bag width:	min 15, max 320 mm	min 15, max 380 mm	min 5, max 220 mm
Bag Height:	max 160 mm	max 160 mm	max 80 mm
Reel width:	max 700 mm	max 900 mm	max 700 mm
Reel diameter:	max 350 mm	max 350 mm	max 350 mm
Jaw width:	300 - 350 mm	max 400 mm	max 280 mm
Jaws configuration:	1 - 2 - 4 up	1 - 2 up	1 - 2 - 3 - 4 up
Sealing system:	rotary	rotary	Long Dwell High Speed
Mechanical speed:	up to 400 ppm	up to 200 ppm	up to 300 ppm
Standard power supply:	380 V, 3 ph. + N + G	380 V, 3 ph. + N + G	380 V, 3 ph. + N + G
Power consumption:	6,3 Kw	6,3 Kw	6,3 Kw
Weight:	Kg 800	Kg 850	Kg 850

Sealable wrapping materials : hot or cold sealable materials such as polypropylene both laminated or coextruded, barrier films. Polyethylene.

Note: The technical data related to the wrapping speeds and the ones related to the dimensions of the products are calculated considering the variables separately. As a consequence, the maximum speeds are not reachable with the larger products being the specific wrapping speed determined in function of the dimensions of the specific product. Technical data must be confirmed by PFM.

PFM reserves the right to modify technical data without previous notice.



## Packaging Machinery

**PFM S.p.A. SEDE CENTRALE  
PACKAGING MACHINERY**

ITALIA  
Via Pasubio, 49 -  
Torrebelvicino (VI) ITALIA

Tel: 0445/570110  
Fax: 0445/570175  
Telex: 480405  
Internet: www.pfm.it  
E-mail: pfm@pfm.it

**PFM PACKAGING  
MACHINERY LTD**

GREAT BRITAIN  
Unit 8/9, Intercity Way  
LEEDS LS13 - 4LY

Tel: (+44) -113 -2393401  
Fax: (+44) -113 -2393402  
E-mail: pfm@pfm-ltd.co.uk

**PFM PACKAGING  
MACHINERY  
CORPORATION  
USA & CANADA**

1271, Ringwell Ave.  
Newmarket  
Ont. Canada L3Y 7V1.

Tel: (+1) - 905 - 836 - 6709  
Fax: (+1) - 905 - 836 - 7763  
Internet: www.pfmusa.com  
E-mail: info@pfmusa.com

**PFM PACKAGING  
MACHINERY LTD**

RUSSIA  
UL. BOLSCIAIA NIKITSKAYA,  
31. kv.9

**Packaging - Processing**  
**Bid on Equipment**  
1-847-683-7720  
[www.bid-on-equipment.com](http://www.bid-on-equipment.com)