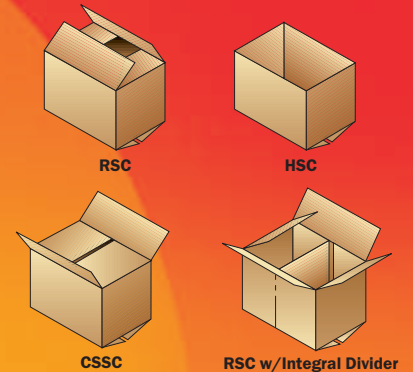
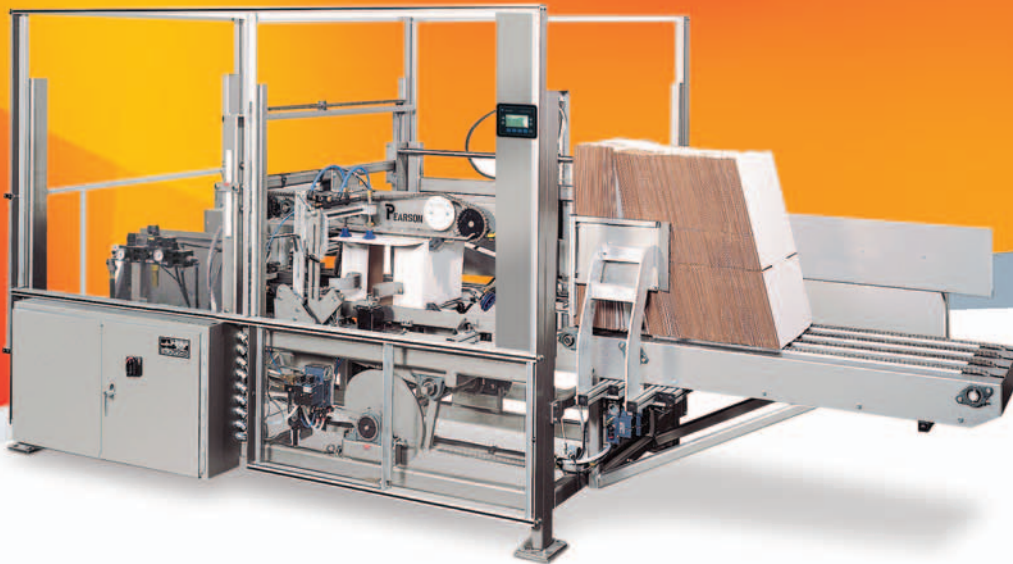


# Model R235 Case Erector



## Robust, Compact Case Erector at Speeds up to 35 CPM.

Pearson's R235 & R235-I Case Erectors are ruggedly designed, fully automatic Case Erectors for erecting and bottom sealing RSC, HSC, RSC with Integral Divider and CSSC cases with hot melt adhesive, cold glue, staples or pressure sensitive tape closure. The Model R235 is Pearson's answer for a robust, compact, ergonomically superior machine.

The R235-I Intermediate Frame model is the answer for larger case ranges. Both machines feature improved operator access, easy changeover, simple operation and less moving parts.

The Model R235 operates consistently and reliably at rated production speeds in a small footprint without compromising operator access. Each case is mechanically transferred from a standard 4' active capacity horizontal case magazine directly to the setup station, then erected.

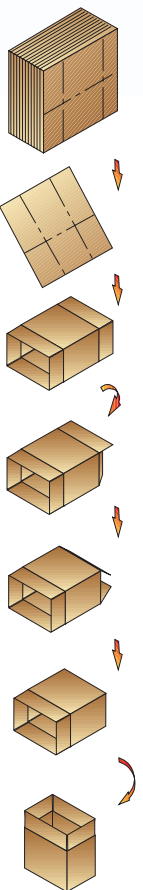
The quick-adjust case magazine stands just 29" from the floor and 28.5" wide, so most lifting and bending motions are reduced during case loading. The low 26" profile deck of the R235 enables easy access to all machine adjustments. And when it comes to changeover

time, all case size changes are complete in a few short minutes, virtually all with slide and lock adjustments.

The R235's offer the following features:

- **Allen-Bradley® PLC**
- **Allen-Bradley® Variable Frequency Drive**
- **Allen-Bradley® PanelView 300 Micro Operator Interface**
- **Nordson® Adhesive Melter**
- **Dekka® Pressure Sensitive Tape Head**
- **Venturi vacuum generators**
- **Electrically interlocked safety guard package**
- **Energy Saving Mode**
- **1/6 Speed Jog-Shuttle Control**
- **Quick 3 minute changeover**
- **UL® Listed Control Panel**
- **Stainless steel construction optional**

Every Pearson machine is backed by our team of after-sale service and technical support professionals available 24 hours a day, seven days a week-worldwide.



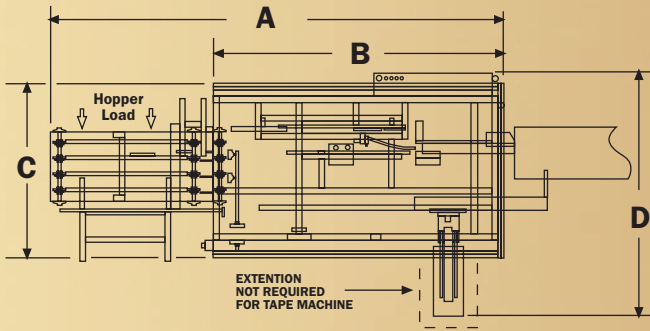
Packaging - Processing

**Bid on Equipment**

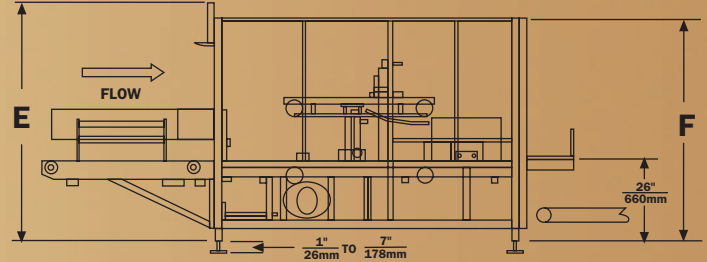
1-847-683-7720

[www.bid-on-equipment.com](http://www.bid-on-equipment.com)

○ TRAY FORMERS ○ CASE SEALERS ○ BAG INSERTERS ○ ROBOTICS ○ CASE PACKERS



PLAN VIEW



ELEVATION VIEW

### UTILITY REQUIREMENTS R235 & R235-I

**Electrical:**  
230/460V, 3-phase,  
60 Hz Std., 4.76 kVA

**Pneumatic:**  
1.47 SCF/Cycle @ 80 PSI  
(0.042 m<sup>3</sup>/cycle @ 5.5 bar)

**Shipping Weight:**  
R235 - 4,600 lbs. (2070 kg)  
R235-I - 5100 lbs. (2315 kg)

### ERECTED CASE SIZE RANGES

	LENGTH	WIDTH	OPEN DEPTH*
<b>R235-T</b> <b>R235-G</b> <b>R235-W</b>	8.75" - 23.5" 222 - 597 mm	5" - 16" 127 - 406 mm	5" - 21" 127 - 533 mm
<b>R235-IT</b> <b>R235-IG</b>	12" - 30" 305 - 762 mm	8" - 20" 203 - 508 mm	10" - 30" 254 - 762 mm

### KNOCKED-DOWN SIZES

	LENGTH	WIDTH	BOTTOM FLAP WIDTH
<b>R235-T</b> <b>R235-G</b> <b>R235-W</b>	13.75" - 39.5" 349 - 1003 mm	7.5" - 29" 191 - 737 mm	2.5" - 8" 64 - 203 mm
<b>R235-IT</b> <b>R235-IG</b>	20" - 50" 508 - 1270 mm	16" - 40" 406 - 1016 mm	4" - 10" 102 - 254 mm

\* Top flaps open, bottom flaps closed. Please consult the factory with your project specifications.

### MACHINE SPECIFICATIONS

	Overall Length = A	Machine Length = B	Machine Width = C	Overall Width = D	Maximum Height = E	Machine Height = F	Speed
<b>R235-G</b> <b>Hot Melt Adhesive</b>	13' - 11" 4242 mm	9' - 2" 2794 mm	5' - 3" 1600 mm	8' - 2" 2489 mm	7' - 5.5" 2273 mm	6' - 4" 1930 mm	35 cpm
<b>R235-T</b> <b>Pressure Sensitive Tape</b>	13' - 11" 4242 mm	9' - 2" 2794 mm	5' - 3" 1600 mm	6' - 0" 1828 mm	7' - 5.5" 2273 mm	6' - 4" 1930 mm	35 cpm
<b>R235-W</b> <b>Wide Crown Staples</b>	13' - 11" 4242 mm	9' - 2" 2794 mm	5' - 3" 1600 mm	8' - 2" 2489 mm	7' - 5.5" 2273 mm	6' - 4" 1930 mm	25 cpm
<b>R235-IG</b> <b>Intermediate Hot Melt Adhesive</b>	14' - 11" 4547 mm	10' - 2" 3099 mm	6' - 1" 1854 mm	10' - 0" 3048 mm	7' - 8.5" 2350 mm	6' - 4" 1930 mm	15 cpm
<b>R235-IT</b> <b>Intermediate Pressure Sensitive Tape</b>	14' - 11" 4547 mm	10' - 2" 3099 mm	6' - 1" 1854 mm	7' - 2.5" 2197 mm	7' - 8.5" 2350 mm	6' - 4" 1930 mm	15 cpm

