



Model 758-N

Front-Load Duo-Slicer

Key Features:

- Two slice thickness options in one machine
Choose from four options
- Provide customer options using 50% less energy
in 25% less space*
- Perfect for on-demand slicing of hard-crusted breads
and soft-textured sandwich loaves
- Large bread capacity - 13" loaves per slice thickness
- Easy-to-operate, with convenient, front-mounted
push button controls
- Front-mounted bagging scoop that adjusts for
smaller loaves makes for convenient bagging
- Blade advantages:
 - Uses the lowest cost replacement blades in the
industry, contributing to low cost of ownership
 - Easily replaceable, independently mounted,
rust-resistant blades
 - Blade replacement takes less than one hour of labor,
the lowest in the industry
- Smooth, quiet operation with minimal vibration



The information contained herein is correct to the best of our knowledge. The recommendations or suggestions are made without guarantee or representation as to results. Freedom from any patent owned by Oliver Packaging and Equipment or other is not to be inferred. Above specifications subject to change without notice

*based on two Model 732 slicers



Oliver Packaging & Equipment Company
511 Sixth Street NW • Grand Rapids, MI 49504
(800) 253-3893 • (616) 356-2950 • www.oliverquality.com



Manufactured in the U.S.A.

Packaging - Processing
Bid on Equipment
1-847-854-8577
www.bid-on-equipment.com



Front-Load Duo-Slicer

SPECIFICATIONS:

Electric:

- 1 Phase/60 Hertz/ 115 Volts (7 Amps)
- 1 Phase/60 Hertz/ 230 Volts (3.5 Amps) (additional charge)

Maximum Product: (dimensions per side)
 13" (330 mm) long X 5.5" (140 mm) wide X
 5.5" (140 mm) high

Note: width and height dimensions are for a square loaf.
 Lower and wider product may be sliced by taking care in loading the product.

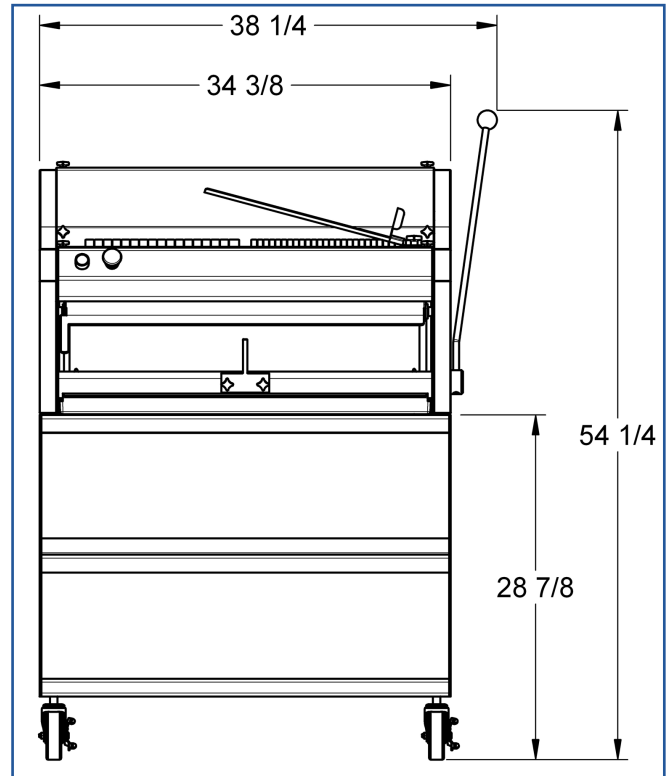
Finish:

Stainless steel contact components and food-safe materials throughout

Slice Spacing:

- Standard options: 3/8" (10 mm), 1/2" (13 mm), 5/8 (16 mm), 3/4 (19 mm)

Select two and determine position in slicer left to right



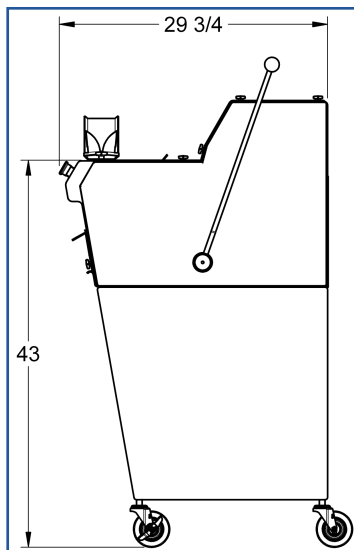
Dimensions: (see drawings at right):

Shipping weight:

500lbs. (227 kg) approximate

Net Weight:

450 lbs. (204 kg)



Manufactured under one or more of the following:
 U.S. Patent # 4,856,398, U.S. Patent # 4,759,168
 U.S. Patent # Des. 310,933, U.S. Patent # 5,243,921
 U.S. Patent # 5,461,956, U.S. Patent # 4,662,257
 U.S. Patent # 4,296,589, U.S. Patent # 4,196,561
 U.S. Patent # 4,194,341, U.S. Patent # 4,141,196
 U.S. Patent # 6,123,004
 Other U.S. and foreign patents pending.

The information contained herein is correct to the best of our knowledge. The recommendations or suggestions are made without guarantee or representation as to results. Freedom from any patent owned by Oliver Packaging and Equipment or other is not to be inferred.

Above specifications subject to change without notice

Manufactured in the U.S.A.



Oliver Packaging & Equipment Company
 511 Sixth Street NW • Grand Rapids, MI 49504
 (800) 253-3893 • (616) 356-2950 • www.oliverquality.com

Packaging - Processing
Bid on Equipment
 1-847-854-8577
 www.bid-on-equipment.com