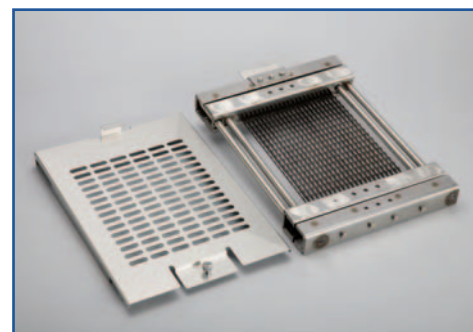




Mini-Chip Slicer

Key Features:

- Compact counter top design
- Creates revenue stream from bakery shrink
- Reprocess bagels and baguettes into snack chips
- Create branding/merchandising of healthy snack options in bakery
- Blade frame safety guard makes cleaning safe and easy
- Blade frame cartridge replacement eliminates blade change service calls
- Tool-free disassembly for easy cleaning of food contact surfaces
- Simplified process keep labor cost low
- Simple three step operation
 - Raise handle
 - Place product on top of blades
 - Lower handle while applying slight pressure to process product
- Cycle counter-visual reminder for timely blade changes
- Less than 12 month ROI for minimal daily sales
- Product bags available from Oliver
 - Unprinted and custom printed
 - Contact your Oliver Sales representative



Blade frame cartridge
with safety cover



Oliver Packaging & Equipment Company
511 Sixth Street NW • Grand Rapids, MI 49504
(800) 253-3893 • (616) 356-2950 • www.oliverquality.com

Manufactured in the U.S.A.

Packaging - Processing
Bid on Equipment
1-847-854-8577
www.bid-on-equipment.com



Mini Chip Slicer

SPECIFICATIONS:

Electric:

1 phase, 60 Hz, 115 VAC, 4 Amps.

Maximum Product:

6" L x 6" W x 2" H

Finish:

Stainless and painted steel

Slice Spacing:

1/4" (6.35mm)

1/2" (12.7mm)

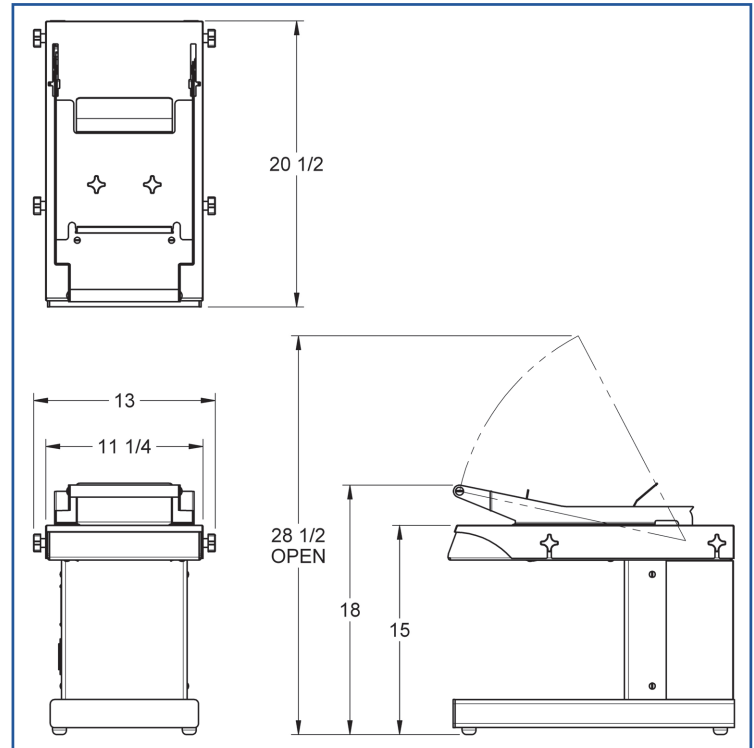
Dimensions:

See drawing at right

Weight:

Shipping Weight: 100 lbs (approximate)

Net Weight: 80 lbs (approximate)



U.S. and foreign patents pending

The information contained herein is correct to the best of our knowledge. The recommendations or suggestions are made without guarantee or representation as to results. Freedom from any patent owned by Oliver Packaging and Equipment or other is not to be inferred.

Above specifications subject to change without notice

Manufactured in the U.S.A.



Oliver Packaging & Equipment Company
511 Sixth Street NW • Grand Rapids, MI 49504
(800) 253-3893 • (616) 356-2950 • www.oliverquality.com

Packaging - Processing
Bid on Equipment
1-847-854-8577
www.bid-on-equipment.com



Introducing the Oliver Mini Chip Slicer



SLICE YOUR SHRINK

- Add a new healthy snack category for incremental sales and profits
- An easy, unique opportunity to generate new revenue
- Efficiently slice leftover bagels, baguettes, buns, and more into tasty chips
- Mini chip retail bags available from Oliver





Mini Chip Slicer
 Model 738

DAY-OLD BAKERY. ALL-NEW OPPORTUNITY.

THE **NEW MINI CHIP SLICER** MAKES IT SO EASY TO SLICE YOUR BAKERY SHRINK INTO UNIQUE, PROFITABLE CHIPS.

- Create savory, healthy, and sweet snack chips
- Rapid growing category ensures fast ROI
- Simple to install, operate, and clean
- Small footprint with easy countertop access
- Easily replace blade cartridge without a service call
- Cycle counter provides a visual reminder for timely blade changes

SPECIFICATIONS

Description	Electric	Dimensions	Product Capacity	Slice Spacing	Net Weight
Mini Chip Slicer Model 738	1 phase, 60 hz, 115 vac, 4 amps	13"W x 20.5"D x 28.5"H (with handle open)	6"L x 6"W x 2"H (max)	1/4" (6.35 mm) 1/2" (12.7 mm)	80 lbs.

MAKE CHIPS. MAKE PROFITS. SLICE SHRINK INTO REVENUE BY FOLLOWING THESE SIMPLE STEPS:



Collect shrink at the end of the day.



The next day, slice bagels with the Mini Chip Slicer.



Place chips on a baking sheet, add seasonings, and bake.



Bag and display for incremental sales and profit!



For details: 1-800-253-3893
oliverquality.com/minichip