



Grand Rapids, Michigan, U.S.A. 49504-5298

USER'S OPERATING AND INSTRUCTION MANUAL

MODEL 709

MINI SUPREME
BREAD SLICER



MODEL 709 MINI SUPREME BREAD SLICER

INDEX

SAFETY INSTRUCTIONS..... 0709S20025

DEFINITIONS GEN 931118

INSTALLATION INSTRUCTIONS 0709S20026

SPECIFICATIONS 0709S20027

OPERATING INSTRUCTIONS..... 0709S20028

ADJUSTMENTS..... 0709S20029

 Slices Vary In Thickness 0709S20029-1/3

 Limit Switch and Actuating Flag Adjustment..... 0709S20029-2/3

MAINTENANCE 0709S20030

 Removing Blade Frames 0709S20030-1/4

 Replacing Blade Frames 0709S20030-2/4

 Changing Blades 0709S20030-3/4

 Lubrication..... 0709S20030-4/4

 Cleaning..... 0709S20030-4/4

TROUBLE SHOOTING 0709S20031

 The Slicer Will Not Start 0709S20031-1/2

 Motor Runs But Blade Frames Do Not Move 0709S20031-1/2

 The Slicer Will Not Stop 0709S20031-1/2

 The Slicer Starts But Stops Too Soon 0709S20031-2/2

 Bread Slices Vary In Thickness 0709S20031-2/2

WIRING DIAGRAMS 0709S20032

 1 Phase, 60 Hertz, 115 VAC 0709S20032-1/2

 1 Phase, 60 Hertz, 230 VAC 0709S20032-2/2

 1 Phase, 50 Hertz, 220 VAC 0709S20032-2/2

RECOMMENDED SPARE PARTS 0709S20033

ASSEMBLY DRAWINGS 0709S20044

 FRAME..... 1/15

 BLADE FRAMES..... 4/15

 WORKING PARTS..... 8/15

 PUSHER 12/15

 ELECTRICAL.....15/15

REPLACEMENT PARTS LIST 0709S20034

WARRANTY..... GEN 040228

WARRANTY PROCEDURE..... GEN 040226

RETURN PARTS POLICY..... GEN 040227

REV. 7/26/10



MODEL 709 MINI SUPREME BREAD SLICER

SAFETY INSTRUCTIONS

Every effort has been made by Oliver Products Company to provide you with a safe machine. However, it is essential that machine operators and maintenance personnel observe the following safety precautions.

1. Read this manual before attempting to operate your slicer. Never allow an untrained person to operate this machine.
2. Make sure that the machine is only connected to a properly grounded electrical supply source of sufficient capacity for the load the slicer will put on it. Always unplug the machine when it is not in use.
3. Always make sure the machine has been disconnected from the power supply before cleaning or servicing.
4. Always keep your hands away from the moving parts of the machine while it is in operation
5. All guards must be in place before starting the machine.
6. Do not wear loose fitting clothing while operating the machine. Shirt tails should be tucked in.
7. To prevent injury handle knife blades with care and never touch moving knives.
8. Use only proper replacement parts.

In addition to these general safety instructions, also follow the more specific safety instructions given for the different areas of the machine in the operating instructions.



GENERAL

DEFINITIONS

The use of the words WARNING, CAUTION, and NOTE in this manual should be guided by the following.

WARNING

AN OPERATING PROCEDURE, TECHNIQUE, ETC., WHICH MAY RESULT IN PERSONAL INJURY IF NOT CAREFULLY FOLLOWED.

CAUTION

AN OPERATING PROCEDURE, TECHNIQUE, ETC., WHICH MAY RESULT IN DAMAGE TO EQUIPMENT IF NOT CAREFULLY FOLLOWED.

NOTE

AN OPERATING PROCEDURE, TECHNIQUE, ETC., WHICH IS CONSIDERED ESSENTIAL TO EMPHASIZE.



MODEL 709 MINI SUPREME BREAD SLICER

INSTALLATION INSTRUCTIONS

WARNING

THE SLICER IS HEAVY. USE PROPER LIFTING TECHNIQUES, KEEP BACK STRAIGHT, KNEES BENT, AND LIFT WITH YOUR LEGS. USE GLOVES TO PROTECT YOUR HANDS.

Lift the slicer from its resting surface with one person standing on each end of the slicer, (front and back), set the slicer onto the counter or table as close as possible to its desired location.

CAUTION

BEFORE PLACING THE SLICER ON A TABLE OR COUNTER, MAKE SURE THE TABLE OR COUNTER CAN SUPPORT THE SLICER'S WEIGHT WHICH IS APPROXIMATELY 115 POUNDS.

Should the machine not be in its desired location, carefully slide the machine to its final location.

The machine may now be connected to a properly grounded power supply of the same voltage and of sufficient capacity for the load which the slicer will put on it. See the electrical requirements on the "Oliver Nameplate" on the rear of the machine. **DO NOT USE EXTENSION CORDS.**

WARNING

BEFORE ATTEMPTING TO SLICE BREAD READ THE "OPERATION" SECTION OF THIS MANUAL.



MODEL 709 MINI SUPREME BREAD SLICER

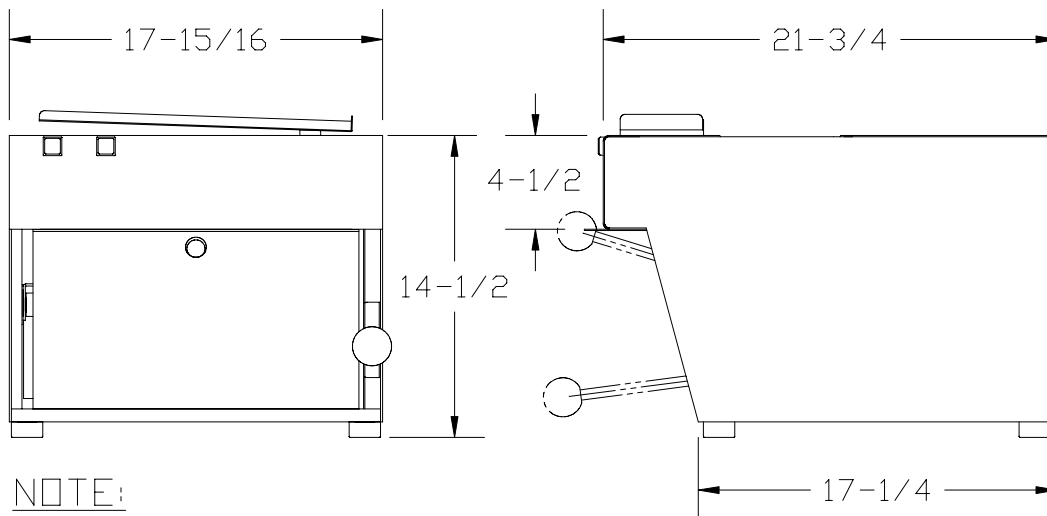
SPECIFICATIONS

- Weight: (Approximate) ----- (115) pounds
- Slice Spacings:
 Standard ----- 1/2"
 Available at extra cost ----- 3/8" (min.), 7/16", 5/8", 3/4", 1"
 Others ----- Consult Factory
- Standard Electrical Service: ----- 1/5 HP, 1-60-115 Volts AC, 2 Amps.
- Optional Electrical Services: ----- Consult factory
- Product Capacities:
 Length ----- 14-5/8"
 *Width ----- 5-1/4"
 *Height ----- 5-1/4"

NOTE

*WIDTH AND HEIGHT DIMENSIONS ARE FOR A SQUARE PRODUCT. LOWER AND WIDER PRODUCTS MAY ALSO BE SLICED BY TAKING CARE IN LOADING THE PRODUCT. INDIVIDUAL DETERMINATIONS WOULD HAVE TO BE MADE.

- Machine dimensions:



NOTE:

1. ALL DIMENSIONS ARE ± 1/2"

Revised 6-14-07



MODEL 709 MINI SUPREME BREAD SLICER

OPERATING INSTRUCTIONS

WARNING

ALWAYS USE CARE WHENEVER WORKING NEAR THE CUTTING KNIVES.

To operate the machine, stand in front of the machine and grasp the lever with your right hand. Pull the lever from its lowest position to the upper limit of its travel. Using your left hand, load the product into the machine.

WARNING

NEVER START THE MACHINE BEFORE LOADING THE PRODUCT.

Make sure that the product does not hang over either edge of the cradle. While holding the lever in the upper-most position, (the machine will not start unless this is done), push the **START** button with your left hand.

NOTE

ONCE THE MACHINE HAS BEEN STARTED, THE MACHINE CAN BE STOPPED BY PUSHING THE "STOP" BUTTON.

After starting, move the lever downward slowly until the product contacts the knives. Once the product has contacted the knives move the handle down using moderate force to slice the bread.

CAUTION

EXCESSIVE DOWNWARD FORCE SHOULD NOT BE USED AS DAMAGE TO THE MACHINE OR PRODUCT MAY RESULT.

When the slicing operation is complete, and the handle is at its lowest position, the machine will automatically stop. The cradle will stay in the upper most position so that both hands can be used to grasp the sliced product and remove it from the top of the cradle. The product can then be moved to the bagging scoop mounted on the front of the machine which will ease packaging of your product.



MODEL 709 MINI SUPREME BREAD SLICER

ADJUSTMENTS

WARNING

ALWAYS UNPLUG THE SLICER WHEN ADJUSTING OR SERVICING.

- Slices Vary In Thickness:

NOTE

IN ONLY THREE SITUATIONS SHOULD IT BECOME NECESSARY TO ADJUST THE BLADE FRAMES FOR A VARIANCE IN SLICE THICKNESS.

1. IF THE BLADE FRAME GUIDE BARS BECOME LOOSE ALLOWING THE FRAME TO MOVE.
2. IF THE BLADE FRAMES WERE REMOVED FROM THE MACHINE AND REPLACED IN OPPOSITE POSITIONS.
3. THE BLADE FRAMES ARE BEING REPLACED WITH A DIFFERENT SET OF BLADE FRAMES, SUCH AS IN A CONVERSION TO A DIFFERENT SLICE WIDTH.

To correct the variance in slice thickness, remove the front and top covers which are each held in place with four screws.

NOTE

A TABLE LIP IS ATTACHED BETWEEN THE TOP COVER AND THE INFEED TABLE BY FRICTION, A SLIGHT PULL MAY BE REQUIRED TO DISLodge IT.

Next remove the lower screw from the holddown pivot block on each side of the machine, also loosen the upper screw of the pivot block, but, do not remove it. When this has been done you will be able to pivot the holddown out of the knives to allow removal of the blade frames. Next remove the shoulder screw from the foot of the top blade frame, (the blade frame is connected to the rocker through a pivoting link on the foot of the blade frame). Once disconnected the top blade frame can be removed by sliding the frame forward out of the tracks.

WARNING

ALWAYS USE CARE WHENEVER WORKING NEAR THE CUTTING KNIVES.



MODEL 709 MINI SUPREME BREAD SLICER

- Slices Vary In Thickness: (Cont'd.):

At this point check the side to side movement of the lower blade frame: it should be at the minimum which still allows free travel in the tracks. If the side to side movement seems satisfactory check the centering of the frame. The distance from the side of the blade frame to the machine's side should be as close as possible to the same distance on each side.

Should either of the above two situations need correction **loosen** the four nuts, two on each side, which secure the lower blade frame guide bars, (they are accessible from the underside of the blade frame). Once loosened, the blade frame can be centered in the machine, making sure that the guide bars are as far into the tracks as they will go, thus limiting side to side movement. When the bars are as far into the tracks as reasonably possible and the blade frame is centered in the machine, re-tighten the nuts. Re-check the blade frame for proper centering, side to side movement and ease of travel.

When the lower blade frame has been found to be in its proper position, or, corrected to the proper position, (if that was required), as described previously, re-install the upper blade frame. Replace the shoulder screw and link at the foot of the blade frame, replacing and tightening the nut and lock washer which secure the shoulder screw.

Check the distance between any three adjacent blades using a 12 inch or shorter ruler. the outside blades should be the same distance from the center blade. If this is the case the slices will be the same thickness, if the distance varies then the upper blade frame must be adjusted side to side until the measured distances are equal.

To adjust the upper blade frame **loosen** the four nuts, (two on each side), which secure the blade frame guide bars. Once loosened the blade frame can be adjusted by moving it slightly either right or left in the machine until the distances as measured above are equal. Make sure the guide bars are as far into the tracks as they will go to limit side to side movement. When the bars are as far into the tracks as possible **and** the blade spacing is equal, re-tighten the nuts. Re-check the blade frame for proper spacing, side to side movement and ease of travel.

Rotate the holddown back into the knives. Replace and secure the four mounting screws of the pivot blocks and replace the front and top covers securing each with the four screws which were previously removed.

- Limit Switch and Actuating Flag Adjustment:

After disconnecting the slicer from the power supply, remove the rear cover from the machine allowing access to the limit switch area.

- Limit Switch and Actuating Flag Adjustment (Cont'd.):



MODEL 709 MINI SUPREME BREAD SLICER

The actuating flag should trip the lower limit switch when the cradle handle is at the top of its travel. The upper limit switch should be actuated when the cradle handle is at the bottom of its travel. *The tripping point of a limit switch can be detected by an internal clicking sound made by the switch.* Before attempting to adjust the flag or switches make sure that the switch levers have not been bent, or, the switch otherwise damaged, or, that the actuating flag is not just loose on the shaft.

Should switch adjustment be necessary they should be adjusted so that they are tripped during normal movement of the cradle handle just before either end of the handle's travel.

To adjust either of the limit switches or the actuating flag, use the following procedure. Loosen the set screw in the actuating flag allowing it to rotate easily on the shaft. With the cradle handle in its upper most position, loosen both of the screws securing the lower limit switch. Once loosened move the switch until it is approximately in the center of its travel and re-tighten the switch. Move the loosened actuating flag into the lower switch lever until you hear it trip. Tighten the flag's set screw. Re-check the operation of the switch using the cradle handle. It should function as described above.

Should the upper limit switch need adjustment, (after setting the lower switch as described above), loosen the two screws which secure it in position and with the cradle handle in its lowest position move the switch into the flag until you hear it trip. Re-tighten the screws and re-check the switch operation as before.



MODEL 709 MINI SUPREME BREAD SLICER

MAINTENANCE

WARNING

ALWAYS UNPLUG THE SLICER BEFORE PERFORMING ANY TYPE OF MAINTENANCE TASK.

- Removing Blade Frames:

Remove the top and front covers by removing the four screws which holds each in place. The table lip should be removed with the top cover.

NOTE

A TABLE LIP IS ATTACHED BETWEEN THE TOP COVER AND THE INFEED TABLE BY FRICTION, A SLIGHT PULL MAY BE REQUIRED TO DISLodge IT.

Next remove the lower screw from the holddown pivot block on each side of the machine, also loosen the upper screws of the pivot blocks but do not remove them. When this has been done you will be able to pivot the holddown out of the knives to allow removal of the blade frames.

Remove the upper blade frame by removing the shoulder screw from the foot of the blade frame, (the blade frame is connected to the rocker by means of a plastic link at the "Foot" of the blade frame). Once the shoulder screw and link have been removed the blade frame can be slid forward and removed from the tracks and from the machine.

WARNING

THE BLADES ARE EXTREMELY SHARP. ALWAYS HANDLE THE BLADE FRAMES WITH CARE.

To remove the lower blade frame, (see note below), you must first remove the four screws from the infeed table. While this table does not have to be removed from the machine it must be moved down out of the way to allow removal of the lower blade frame.

NOTE

REMOVAL OF THE LOWER BLADE FRAME IS NOT REQUIRED TO CHANGE ITS BLADES.



MODEL 709 MINI SUPREME BREAD SLICER

- Removing Blade Frames (Cont'd.):

The final step is to remove the shoulder screw from the foot of the blade frame. Once the shoulder screw is removed the link can be disconnected and moved out of the way. This will allow removal of the lower blade frame.

- Replacing Blade Frames:

To replace the blade frames, reverse the removal procedures, (described above). Re-install both blade frames and check for slice thickness variances. If the spaces between all blades are not the same see the "Adjustment" section of this manual. If the spacing is equal, if there is little side to side movement of the blade frames and they move freely in the tracks, re-connect the links at the foot of each blade frame by re-installing the shoulder screw. Replace the lockwasher and nut on each shoulder screw and tighten securely.

Replace the infeed table and secure it in position by installing its four screws. Rotate the holddown back into the knives and replace and/or tighten their mounting screws. Replace the table lip making sure it does not rub on the sides of the blades where the blades pass thorough it. Lastly replace the top and front covers securing them in place using the four screws previously removed from each.



MODEL 709 MINI SUPREME BREAD SLICER

- Changing Blades:

WARNING

BLADES ARE EXTREMELY SHARP. ALWAYS HANDLE WITH CARE.

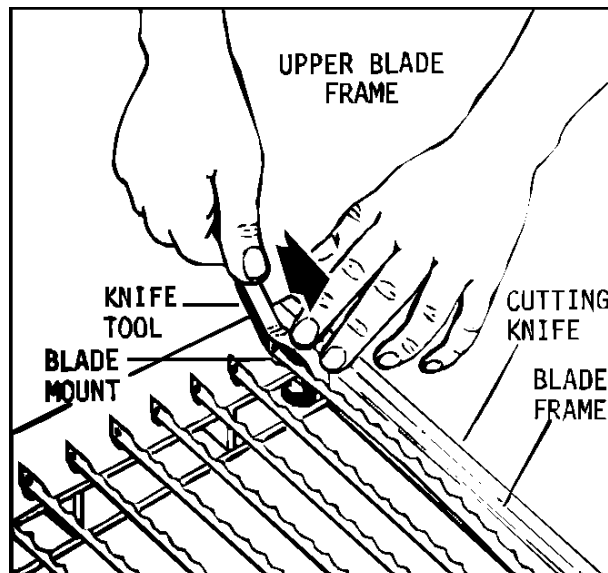
Remove and place the Upper blade frame on a flat surface, (see blade frame removal section). Insert the special knife tool into the blade frame, (See Illustration). Lifting up on the knife tool will deflect the blade mount, reducing tension on the cutting knife. Carefully remove the cutting knife from the blade mount.

NOTE

REMOVAL OF THE LOWER BLADE FRAME IS NOT REQUIRED TO CHANGE ITS BLADES.

NOTE

WHEN REPLACING ALL THE BLADES, ALWAYS REMOVE THE CENTER BLADES FIRST AND WORK TOWARDS THE ENDS. REMOVE AND INSTALL ONE BLADE AT A TIME. NEVER REMOVE ALL THE BLADES AT ONCE AND THEN ATTEMPT TO REPLACE THEM ALL AT ONCE.

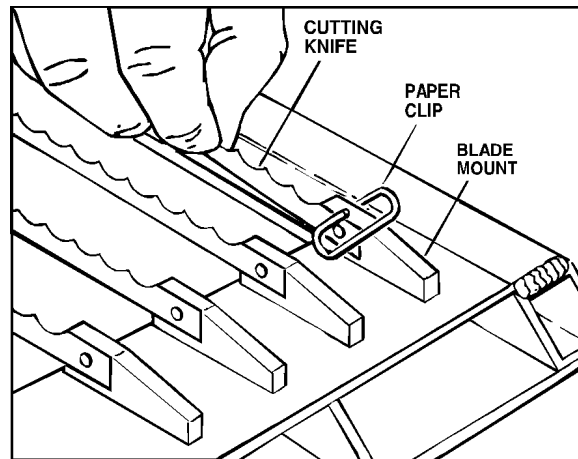




MODEL 709 MINI SUPREME BREAD SLICER

- Changing Blades (Cont'd.):

Reverse the procedure to install replacement blades. A paper clip can be used to hold the blade in position on the fixed blade mount during blade installation. (See Illustration)



The blades can be removed and replaced from the lower blade frame while it is in the machine. Use the same tool and similar procedures as described in removing an replacing blades from the upper blade frame.

Upon completion of the blade changes re-install and secure all parts removed, (refer to the blade frame removal section above).

- Lubrication:

The blade frame tracks, the four shoulder screws at the links connecting the blade frame and the rocker and the cradle guide tracks have been lubricated at the factory. Twice a year, or, sooner if they become dry, the above areas should be greased with a food approved grease.

- Cleaning:

Use a mild detergent solution to clean the exterior and contact surfaces. Empty the crumb tray daily or as necessary. Periodically remove all covers and brush, vacuum or blow, (if compressed air is available), all foreign material from all surfaces, especially the moving parts.



MODEL 709 MINI SUPREME BREAD SLICER

TROUBLE SHOOTING

- The Slicer Will Not Start When the “Start” Button Is Pushed:

Possible Causes:

1. The slicer is not plugged in.
2. The fuse or circuit breaker in the back of the machine has either blown or tripped.
3. The outlet to which the slicer is plugged in is not functioning: have it checked by a qualified electrician.
4. The pusher handle is not in the upper most position and is therefore not tripping the internal start limit switch.
5. The actuating flag has become loose: see adjustment section of this manual.
6. If the pusher handle is in its upper most position, (see #3 above), then the internal start limit switch may need adjustment. Refer to the adjustment section of this manual.
7. The “Start” push-button switch is not operating: have it checked by a qualified electrician.
8. The relay is not operating: have it checked by a qualified electrician.
9. A loose wire is preventing the machine from operating. Unplug the slicer remove the rear panel and check all connections.
10. An internal limit switch has failed: have them checked and replaced if necessary by a qualified electrician.
11. The gearmotor is not operating: a qualified electrician should check the gearmotor and its start capacitor, and replace if defective.
12. The “Stop” push-button has failed: have it checked by a qualified electrician.

- The Motor Starts and Runs But the Blade Frames Do Not Move:

Possible Causes:

1. The connecting rods have either become un-attached or broken.

- The Slicer Starts But Will Not Automatically Stop At the Completion of Slicing:

Possible Causes:

1. The pusher handle is not in its lowest position and is therefore not tripping the internal stop limit switch.
2. The actuating flag is either loose or incorrectly adjusted. See the adjustment section of this manual.
3. The internal stop limit switch has failed: have it checked and replaced if required by a qualified electrician.



MODEL 709 MINI SUPREME BREAD SLICER

TROUBLE SHOOTING (CONT'D.)

- The Slicer Will Start, But, Will Not Continue To Run:

Possible Causes:

1. The relay is not operating: have it checked by a qualified electrician.
2. One of the internal limit switches have become loose and is out of position. See the adjustment section of this manual.
3. A internal limit switch has failed: have them checked and replaced if necessary by a qualified electrician.

- Bread Slices Vary In Thickness:

Possible Causes:

1. The blade frames should be adjusted, see the adjustment section of this manual.



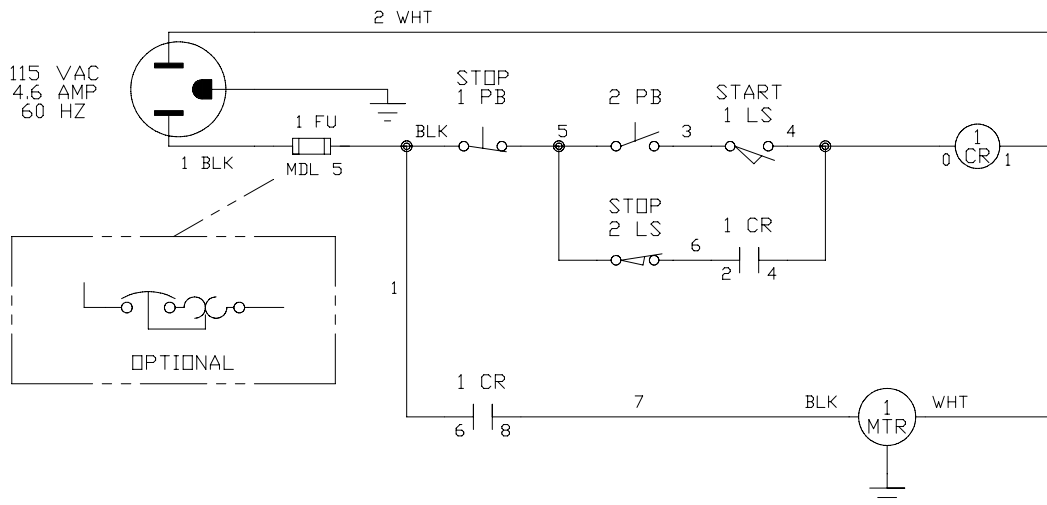
MODEL 709 MINI SUPREME BREAD SLICER

WIRING DIAGRAMS

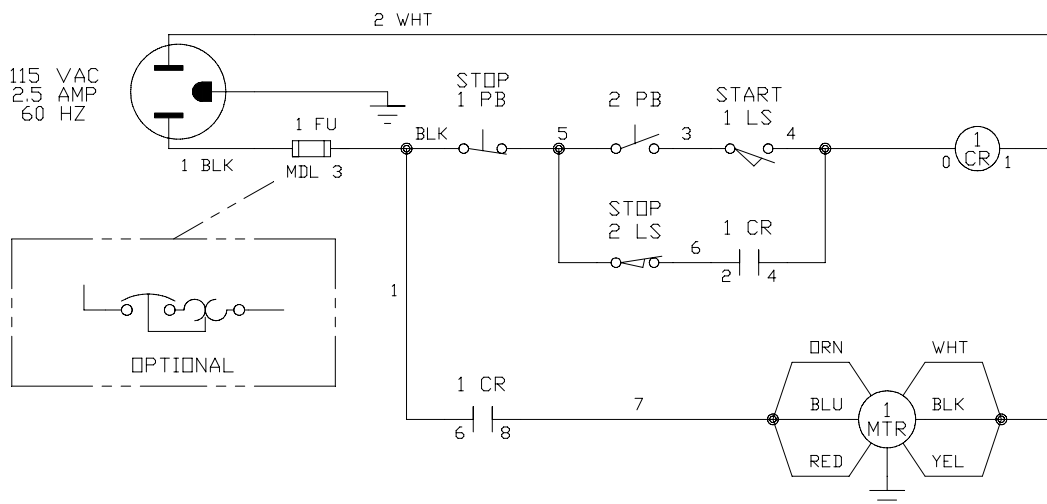
NOTE

SELECT WIRING DIAGRAMS BASED ON THE MOTOR MODEL FURNISHED ON YOUR MACHINE AND THE ELECTRICS OF YOUR MACHINE.

"Dayton" Motor Wired as 1 Phase, 60 Hertz, 115 Volts AC
Wiring Diagram 0709C12012



"Leeson" Motor Wired as 1 Phase, 60 Hertz, 115 Volts AC
Wiring Diagram 0709C12013

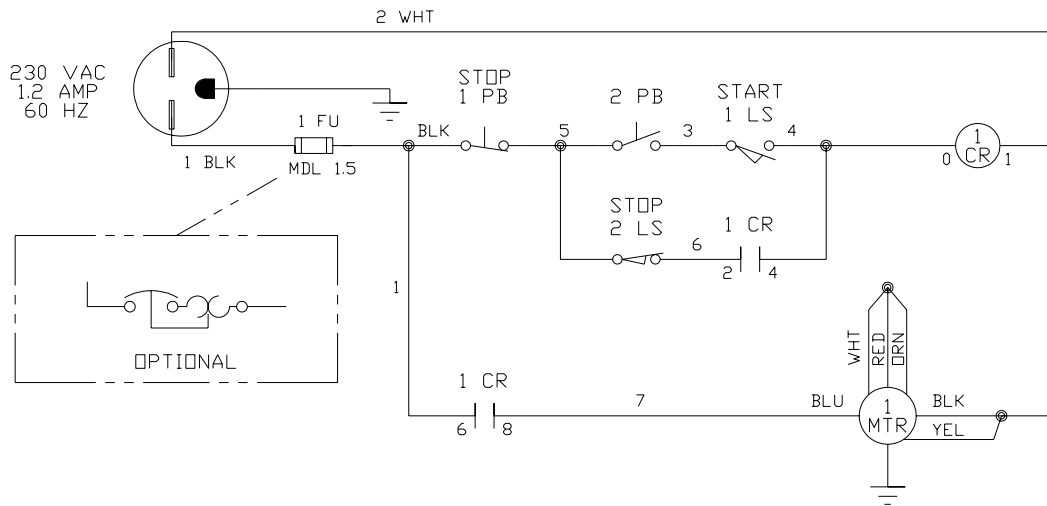




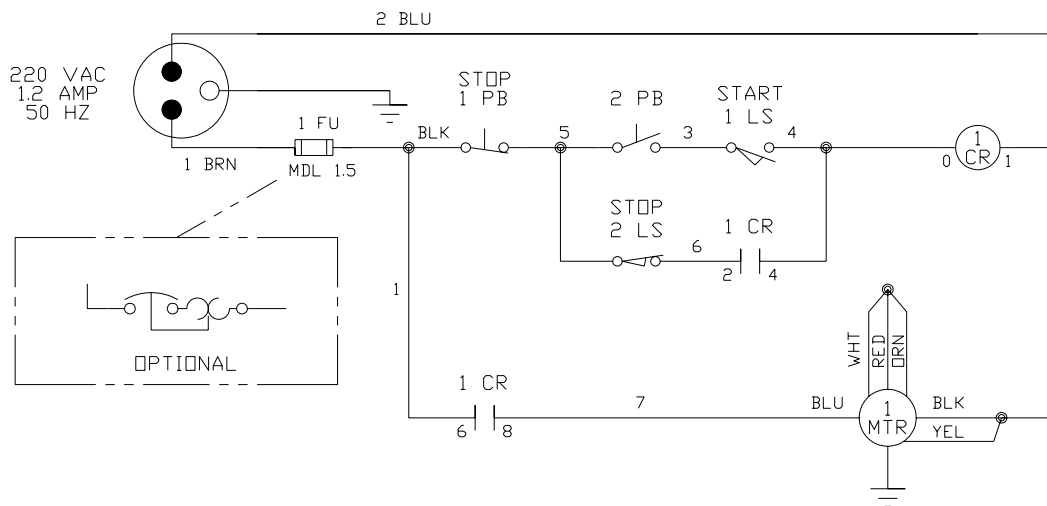
MODEL 709 MINI SUPREME BREAD SLICER

WIRING DIAGRAMS (Cont'd.)

"Leeson" Motor Wired as 1 Phase, 60 Hertz, 230 Volts AC Wiring Diagram 0709C12014



"Leeson" Motor Wired as 1 Phase, 50 Hertz, 220 Volts AC Wiring Diagram 0709C12015





MODEL 709 MINI SUPREME BREAD SLICER

RECOMMENDED SPARE PARTS

<u>PART NUMBER</u>	<u>PART DESCRIPTION</u>	<u>NO. REQ'D.</u>
5251-8090	Bearing-Pillow Block	2
0709-0035-001	Link-Blade Frame	2
5251-3022	Bearing-2 Bolt Flange	2
5842-8525	Screw-Shoulder 3/8 X 1"	5
5251-0091	Bearing-Cam Follower	2
5915-9815	Plunger-Ball	1
0709-0038	Bushing-Flange	2
0797-0029-1	Blade-Type "A"	As Req'd.
5842-8526	Screw-Shoulder 3/8 X 1-1/4	1
5749-8027	Relay-DPST 20A 240 VAC 120V Coil	1
5749-8028	Relay-DPST 20A 240 VAC 230V Coil	1
5726-1030	Holder-Fuse	1
5757-7610	Switch-Push Button	2
5757-7651	Bezel-Square Silver	2
0709-0080	Button-Square Black	1
0709-0078	Button-Square Red	1
5757-8001	Switch-Limit	2
0709-0034-XXX	* Rod-Long Connecting	1

* Dependent on model of motor used -- see "Part List" which follows

OPTIONAL SPARE PARTS

NOTE

A GEARMOTOR WOULD BE CONSIDERED AN OPTIONAL SPARE PART. GEARMOTORS SHOULD BE SELECTED BASED ON THE MODEL FURNISHED ON YOUR MACHINE AND THE ELECTRICS OF YOUR MACHINE AS INDICATED BELOW.

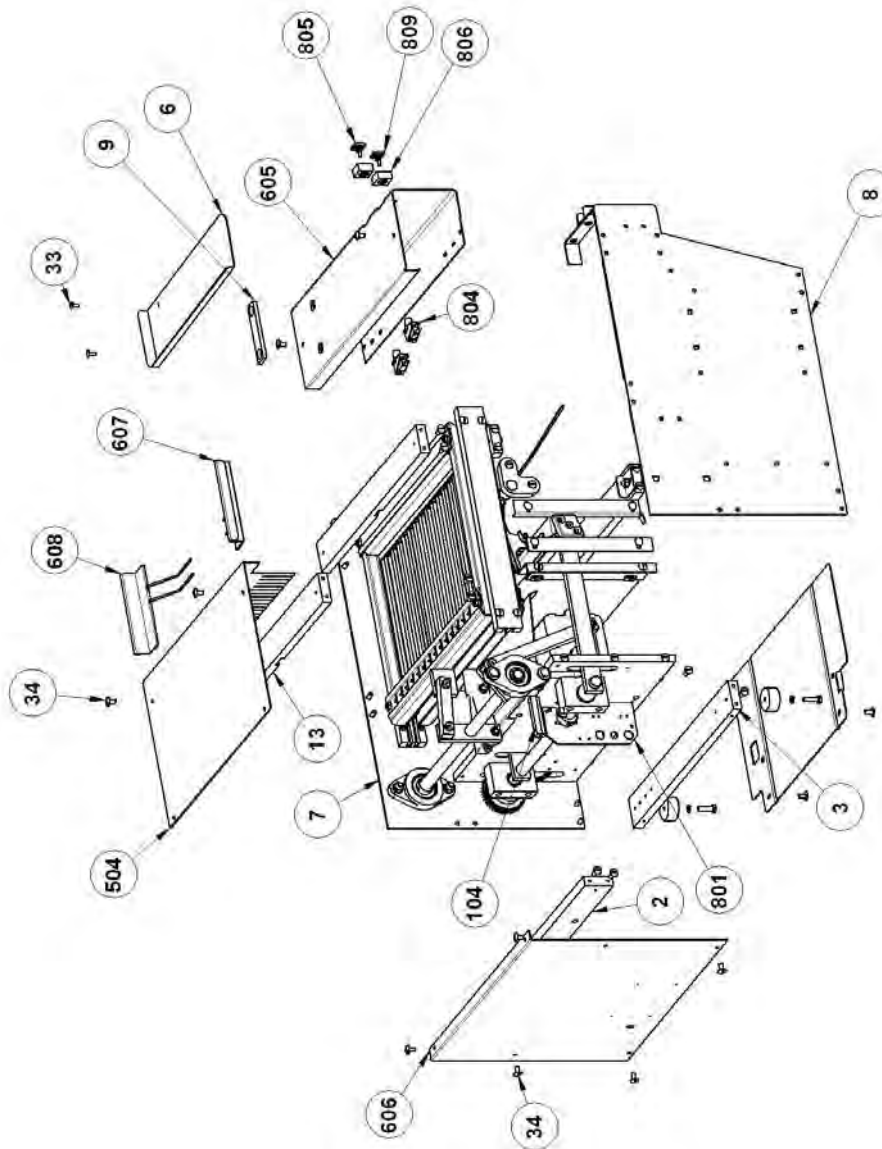
6310-0250	Dayton Motor (115 VAC)	1
6310-1910	Leeson Motor (115 VAC)	1
0709-0054-004	Leeson Motor (220/230 VAC)	1

To obtain Replacement parts call Oliver Products Company at 1-800-253-3893



MODEL 709 MINI SUPREME BREAD SLICER

FRAME



REV. 6/9/09

0709S20044



Oliver Packaging & Equipment Company
511 Sixth Street NW • Grand Rapids, MI 49504

(800) 253-3893
www.oliverquality.com

MODEL 709 MINI SUPREME BREAD SLICER

B-NO.	PART DISCRIPTION	PART NO.	QTY.
1	BAR-CROSS TOP	0709-0027	2
2	BAR-CROSS REAR	0709-0027-001	1
3	BAR-CROSS REAR BOTT.	0709-0027-002	1
5	BAR-STUB	0709-0028	2
6	SCOOP-BAGGING	0709-0029	1
7	SIDE-RH	0709-0032	1
8	SIDE-LH	0709-0033	1
9	SPACER-SCOOP END	0711-0006	1
33	SCREW-SLTD	5843-5385	2
34	SCREW-SLTD	5843-5412	12
104	SPACER-HEX	0709-0039	1
504	LIP-TABLE	0709-0081-0XX	1
605	COVER-FRONT	0709-0030-1	1
606	COVER-REAR	0709-0031	1
607	CLIP-FINGER RH	0709-0042	1
608	CLIP-FINGER LH	0709-0043	1

To obtain Replacement Parts call Oliver Products Company at 1-800-253-3893

0709S20044



Oliver Packaging & Equipment Company
511 Sixth Street NW • Grand Rapids, MI 49504

(800) 253-3893
www.oliverquality.com

MODEL 709 MINI SUPREME BREAD SLICER

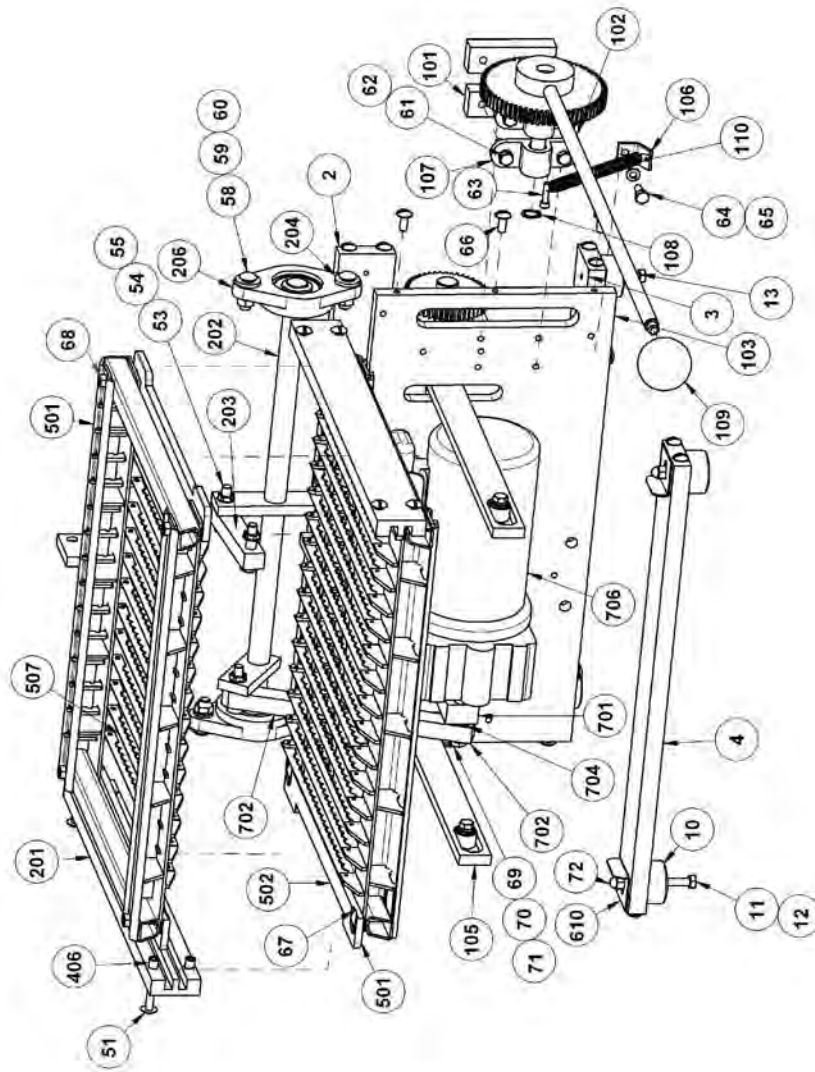
B-NO.	PART DISCRIPTION	PART NO.	QTY.
618	COVER-BOTTOM	0709-0069	1
801	SUBPANEL	0709-0036	1
804	SWITCH-PB-SNP	5757-7610	2
805	BUTTON-RED SQ. "STOP"	0709-0078	1
806	BEZEL-SQR SILVER	5757-7651	2
809	BLACK START BUTTON	0709-0080	1

To obtain Replacement Parts call Oliver Products Company at 1-800-253-3893



MODEL 709 MINI SUPREME BREAD SLICER

BLADE FRAMES





Oliver Packaging & Equipment Company
511 Sixth Street NW • Grand Rapids, MI 49504

(800) 253-3893
www.oliverquality.com

MODEL 709 MINI SUPREME BREAD SLICER

B-NO.	PART DISCRIPTION	PART NO.	QTY
2	BAR-CROSS REAR	0709-0027-001	1
3	BAR-CROSS REAR-BOTT.	0709-0027-002	1
4	BAR-FRONT	0709-0027-003	1
10	BUMPER-BLK HRD RUBR	5902-0021	4
11	WASHER-LOCK 1/4"	5851-9357	4
12	SCREW-HEX HD 1/4-20	5843-1006	2
13	SCREW-HEX HD 1/4-20	5843-1005	2
51	SCREW-SLTD TRSHD	5843-5414	8
53	SCREW-SHOULDER 3/8 X 1	5842-8525	5
54	WASHER-5/16 INTYP LOCK	5851-9134	5
55	NUT-HEX JAM5/16-18	5832-0001	5
58	BOLT-CARRIAGE 3/8-16	5804-1710	4
59	WASHER-3/8 SPRING LCK	5851-9359	4
60	NUT-HEX FULL 3/8-16	5832-0522	4
61	SCREW-HEX HEAD 1/4-20	5842-1506	4
62	WASHER 1/4" SPRNG LCK	5851-9008	5
63	SCREW-SOCET HD 10-24	5842-2533	1

To obtain Replacement Parts call Oliver Products Company at 1-800-253-3893

0709S20044



Oliver Packaging & Equipment Company
511 Sixth Street NW • Grand Rapids, MI 49504

(800) 253-3893
www.oliverquality.com

MODEL 709 MINI SUPREME BREAD SLICER

B-NO.	PART DISCRIPTION	PART NO.	QTY
64	SCRW-HX HD 1/4-20	5842-1502	1
66	SCREW-SLTD	5843-5413	6
67	BOLT-CARRIAGE 1/4-20	5804-0615	8
68	NUT-HEX FULL 1/4-20	5832-0025	8
69	SCREW-SHOULDER 3/8	5842-8526	1
70	WASHR-SPRNG LOCK WSH	5851-9009	1
71	NUT HEX JAM5/16-18	5832-0001	1
72	NUT-ACORN 1/4-20	5832-0590	2
101	SPACER BEARING	0709-0009	2
102	HANDLE & GEAR ASSY.	0709-0011-1	1
103	PLATE-MOTOR MTG.	0709-0023	1
105	PUSHER ARM ASSY	0709-0046-1	1
106	ANCHOR BRACKET	0709-0079	1
107	BEARING-PILLOW BLOCK	5251-8090	2
108	RING-RETAINING TRUARC	5840-1125	1
109	KNOB-BALL	5911-7001	1

To obtain Replacement Parts call Oliver Products Company at 1-800-253-3893

0709S20044



Oliver Packaging & Equipment Company
511 Sixth Street NW • Grand Rapids, MI 49504

(800) 253-3893
www.oliverquality.com

MODEL 709 MINI SUPREME BREAD SLICER

B-NO.	PART DISCRIPTION	PART NO.	QTY
110	SPRING-EXTENSION STST	7022-4113	1
201	TRACK-BLADE FRAME	0709-0007	2
202	ROCKER	0709-0008	1
203	LINK BLADE FRAME	0709-0035-001	2
204	SPACER BEARING	0709-0041	4
206	BEARING-FLANGE BALL	5251-3022	2
406	INSERT-THREAD1/4-20	5822-2030	8
501	BLADE FRAME (SPACING)	0709-0001-5XX	-
502	BAR-GUIDE	0709-0006	4
507	BLADE-TYPE A	0797-0029-1	-
610	BRACKET-TRAY CENTER	0709-0053	2
701	CRANK MOTOR	0709-0010-002	1
702	ROD-CONNECTING LONG	0709-0034-003	1
706	GEARMOTOR 1/5 HP	6310-1910	1

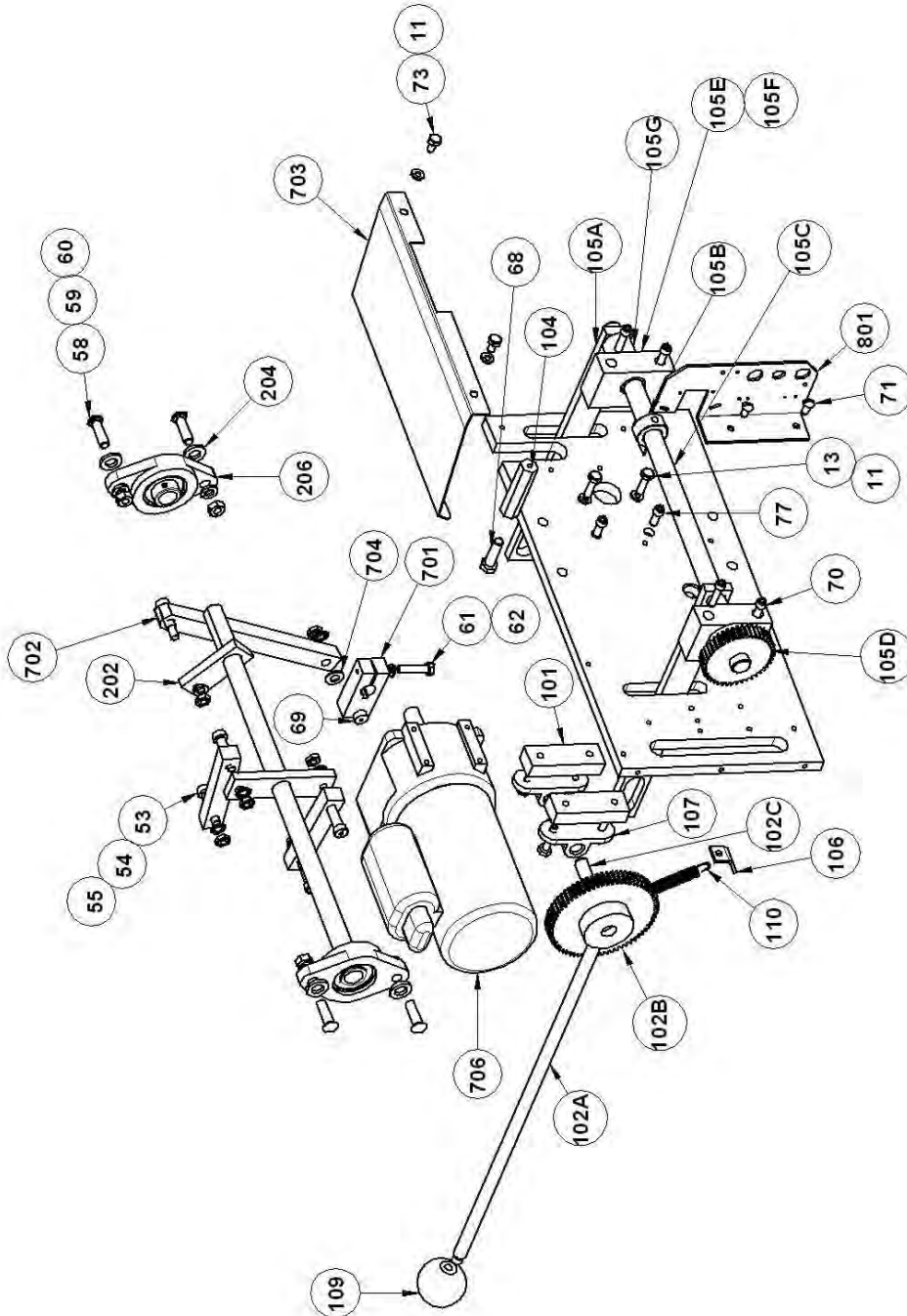
To obtain Replacement Parts call Oliver Products Company at 1-800-253-3893

0709S20044



MODEL 709 MINI SUPREME BREAD SLICER

WORKING PARTS





Oliver Packaging & Equipment Company
511 Sixth Street NW • Grand Rapids, MI 49504

(800) 253-3893
www.oliverquality.com

MODEL 709 MINI SUPREME BREAD SLICER

B-NO.	PART DISCRIPTION	PART NO.	QTY
11	WASHER-LOCK 1/4"	5851-9357	4
13	SCREW-HEX HD 1/4-20	5843-1005	2
53	SCREW-SHOULDER 3/8 X 1	5842-8525	5
54	WASHER-5/16 INTYP LOC	5851-9134	7
55	NUT-HEX JAM5/16-18	5832-0001	7
58	BOLT-CARRIAGE 3/8-16	5804-1710	4
59	WASHER-3/8 SPRNG LOCK	5851-9359	4
60	NUT-HEX FULL 3/8-16	5832-0522	4
61	SCREW-HEX HEAD 1/4-20	5842-1506	1
62	WASHER-1/4" SPRNG LOK	5851-9008	1
68	SCREW-HEX HEAD 3/8-16	5842-1555	1
69	SCREW-SHLDER 3/8 X 1 1/4	5842-8526	1
70	SCREW-SOC HD 1/4-20 X 1	5842-2545	4
71	SCREW-ROUND HD 1/4-20	5842-5104	2
73	SCREW-HEX HD 1/4-20	5843-1001	2
77	SCREW-HXSOC HD1/4-20	5843-1542	2

To obtain Replacement Parts call Oliver Products Company at 1-800-253-3893

0709S20044



Oliver Packaging & Equipment Company
511 Sixth Street NW • Grand Rapids, MI 49504

(800) 253-3893
www.oliverquality.com

MODEL 709 MINI SUPREME BREAD SLICER

B-NO.	PART DISCRIPTION	PART NO.	QTY
101	SPACER BEARING	0709-0009	2
102A	LEVER	0709-0011-0023	1
102B	GEAR-SPUR 68T	0709-0011-0033	1
102C	STUD-PIVOT	0709-0011-0013	1
105A	ARM-PUSHER	0709-0046-0023	2
105B	ACTUATOR-SWITCH	0709-0046-0034	1
105C	SHAFT	0709-0046-0073	1
105D	GEAR 44T	0709-0046-0093	1
105E	BLOCK PIVOT	0709-0046-0083	2
105F	BEARING-SINT BRZ	5254-0322	2
105G	COLLAR	0709-0046-0063	1
106	ANCHOR BRACKET	0709-0079	1
107	BEARING-PILLOW BLK	5251-8090	2
109	KNOB-BALL	5911-7001	1
110	SPRING-EXTENSION	7022-4113	1
202	ROCKER	0709-0008	1

To obtain Replacement Parts call Oliver Products Company at 1-800-253-3893



Oliver Packaging & Equipment Company
511 Sixth Street NW • Grand Rapids, MI 49504

(800) 253-3893
www.oliverquality.com

MODEL 709 MINI SUPREME BREAD SLICER

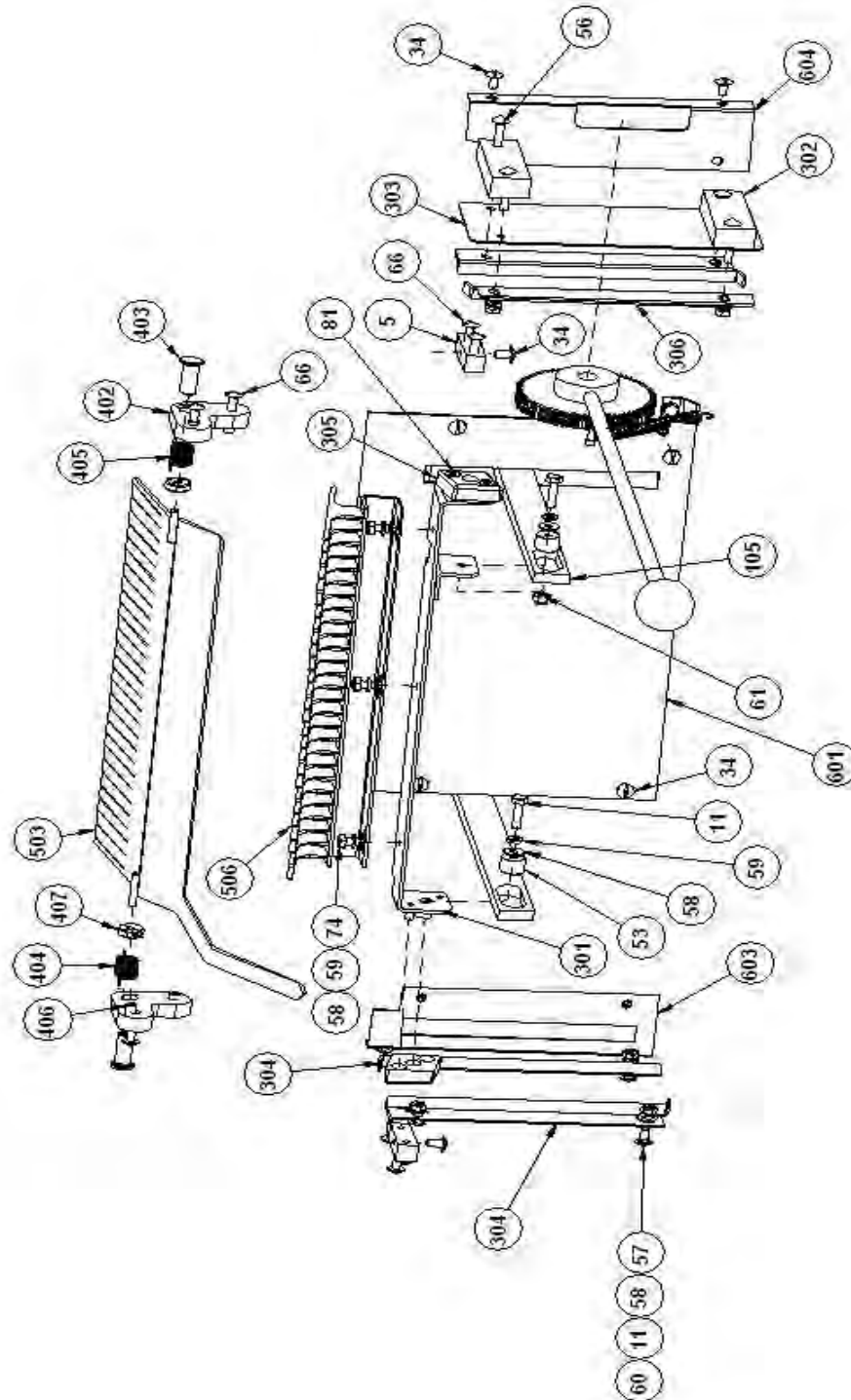
B-NO.	PART DISCRIPTION	PART NO.	QTY
203	LINK-BLADE FRAME	0709-0035-001	2
204	SPACER BEARING	0709-0041	4
206	BEARING-FLANGE BALL	5251-3022	2
701	CRANK MOTOR	0709-0010-002	1
702	ROD-CONNECTING LONG	0709-0034-003	1
703	SHIELD-CRUMB	0709-0047-001	1
704	BEARING-SN BZ	5254-3503	1
706	GEARMOTOR 1/5 HP	6310-1910	1
801	SUBPANEL	0709-0036	1

To obtain Replacement Parts call Oliver Products Company at 1-800-253-3893



MODEL 709 MINI SUPREME BREAD SLICER

PUSHER





Oliver Packaging & Equipment Company
511 Sixth Street NW • Grand Rapids, MI 49504

(800) 253-3893
www.oliverquality.com

MODEL 709 MINI SUPREME BREAD SLICER

B-NO.	PART DISCRIPTION	PART NO.	QTY
5	BAR-STUB	0709-0028	
11	WASHER-LOCK 1/4"	5851-9357	
13	SCREW-HEX HD 1/4-20	5843-1005	
34	SCREW-SLTD TRSHD	5843-5412	
53	BEARING-CAM	5251-0091	
56	BOLT-CARRIAGE 1/4-20	5804-1706	
57	BOLT-CARRIAGE 1/4-20	5804-1709	
58	WASHER-1/4" FLAT	5851-9304	
60	NUT-HX FULL 1/4-20	5832-0520	
61	NUT-ELASTC FL 1/4-20	5831-9087	
66	SCREW-SLTD TRSHD	5843-5413	
73	SCREW-HEX HD 1/4-20	5843-1001	
81	SCREW-FLAT HD 1/4-20	5843-2732	
301	BRACKET-CRADLE MTG	0709-0013-001	
302	SPACER-PUSHER GUIDE	0709-0015	
303	PLATE-BACKUP	0709-0016	

To obtain Replacement Parts call Oliver Products Company at 1-800-253-3893

0709S20044



Oliver Packaging & Equipment Company
511 Sixth Street NW • Grand Rapids, MI 49504

(800) 253-3893
www.oliverquality.com

MODEL 709 MINI SUPREME BREAD SLICER

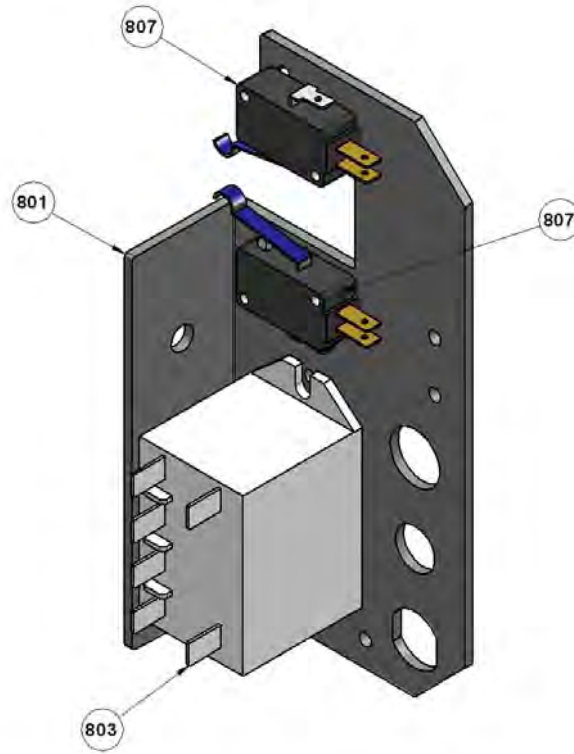
B-NO.	PART DISCRIPTION	PART NO.	QTY
304	GUIDE-PUSHER	0709-0017-002	
305	BLOCK-SLIDE	0711-0017	
306	GUIDE-PUSHER W/BOSS	0709-0017-003	
402	BLOCK-MOUNTING	0709-0037	
403	BUSHING-FLANGE	0709-0038	
404	SPRING-L.H. TORSION	4605-1000-0014	
405	SPRING-R.H. TORSION	4605-1000-0015	
406	INSERT-THREAD1/4-20	5822-2030	
407	COLLAR-SPRING	0709-0057	
503	KNIFE GUIDE & HLDDWN	0709-0082-0XX	
506	CRADLE	0709-0045-XXX	
601	TABLE-INFEED	0709-0018	
603	BRACKET-TBLE MTG RH	0709-0025	
604	BRACKET-TBLE MTG LH	0709-0026	

To obtain Replacement Parts call Oliver Products Company at 1-800-253-3893



MODEL 709 MINI SUPREME BREAD SLICER

ELECTRICAL PANEL



<u>B-NO.</u>	<u>PART DISCRPTION</u>	<u>PART NO.</u>	<u>QTY</u>
801	SUBPANEL	0709-0036	1
803	RELAY-DPST 20A 120/240V	5749-8027	1
807	SWITCH – SM BASIC	5757-8001	2



MODEL 709 MINI SUPREME BREAD SLICER

REPLACEMENT PARTS LIST

<u>ITEM NO.</u>	<u>PART DESCRIPTION</u>	<u>PART NUMBER</u>
001	Bar-Top Cross	0709-0027
002	Bar-Rear Cross	0709-0027-001
003	Bar-Rear Bottom Cross	0709-0027-002
004	Bar-Front	0709-0027-003
005	Bar-Stub	0709-0028
006	Scoop-Bagging	0709-0029
007	Side-R.H.	0709-0032
008	Side-L.H.	0709-0033
009	Spacer-Scoop	0711-0006
010	Foot-Rubber	5902-0021
101	Spacer-Bearing	0709-0009
102	Handle & Gear Assembly	0709-0011-1
103	Plate-Motor Mounting	0709-0023
104	Spacer-Hex	0709-0039
105	Pusher Arm Assembly	0709-0046-1
106	Bracket-Anchor	37608
107	Bearing-Pillow Block	5251-8090
108	Ring-Retaining	5840-1125
109	Knob-Ball	5911-7001
110	Spring-Extension	7022-4113
201	Track-Blade Frame	0709-0007
202	Rocker	0709-0008
203	Link-Blade Frame	0709-0035-001
204	Spacer-Bearing	0709-0041
205	Bearing-2 Bolt Flange	5251-3022
206	Bearing-Thrust	5254-3542
207	Insert-Threaded Brass	5822-2030
208	Screw-Shoulder 3/8 x 1"	5842-8525
301	Bracket-Cradle Mounting	0709-0013-001
302	Spacer-Pusher Guide	0709-0015
303	Plate-Backup	0709-0016
304	Guide-Pusher	0709-0017-002
305	Guide-Pusher W/Boss	0709-0017-003
306	Block-Slide	0711-0017
307	Bearing-Cam Follower	5251-0091
308	Nut-Elastic Lock	5831-9087
309	Plunger-Ball	5915-9815
402	Kit-Mounting Block	0709-0037K
403	Bushing-Flange	0709-0038
404	Spring-L.H. Torsion	4605-1000-0014
405	Spring-R.H. Torsion	4605-1000-0015

To obtain Replacement Parts call Oliver Products Company at 1-800-253-3893

REV 6/23/05



MODEL 709 MINI SUPREME BREAD SLICER

PARTS LIST (Cont'd.)

<u>ITEM NO.</u>	<u>PART DESCRIPTION</u>	<u>PART NUMBER</u>
407	Collar-Spring	0709-0057
501	Blade Frame (Specify slice width)	0709-0001-5XX
502	Bar-Guide	0709-0006
503	Holddown-Knife Guide (Specify slice width)	0709-0082-0XX
504	Lip-Table & Cover (Specify slice width)	0709-0081-0XX
506	Cradle-Bread (Specify slice width)	0709-0045-2XX
507	Blade-Type "A" (As Required)	0797-0029-1
508	Tool-Knife	0797-0183-005
509	Nut-Elastic Lock	5831-9095
601	Table-Infeed	0709-0018
603	Bracket-R.H. Table Mounting	0709-0025
604	Bracket-L.H. Table Mounting	0709-0026
605	Cover-Front	0709-0030
606	Cover-Rear	0709-0031
607	Clip-R.H. Finger	0709-0042
608	Clip-L.H. Finger	0709-0043
609	Tray-Crumb	0709-0052-001
610	Bracket-Tray Centering	0709-0053
618	Cover-Bottom	0709-0069
701	See Next 2 Pages	-----
702	See Next 2 Pages	-----
703	Shield-Crumb	0709-0047-001
704	Bearing-Thrust	5254-3503
705	Screw-Shoulder 3/8 x 1-1/4	5842-8526
706	See Next 2 Pages	-----
801	Subpanel	0709-0036
802	Harness-Push-button	0709-0049-3
803	Relay-DPST 20A 240VAC 120V Coil	5749-8027
803	Relay-DPST 20A 240VAC 230V Coil	5749-8028
804	Switch-Push-button	5757-7610
805	Button-Square Red	0709-0078
806	Bezel-Square Sliver	5757-7651
807	Switch-Limit	5757-8001
808	Bushing-Strain Relief	5765-1076
809	Button-Square Black	0709-0080
810	Holder-Fuse	5726-1030
810	Breaker-Circuit 2 Amp	5757-4105
810	Breaker-Circuit 3 Amp	5757-4155
810	Breaker-Circuit 5 Amp	5757-4255
811	Fuse-1.5 Amp	5725-9121
811	Fuse-3 Amp	5725-9126
811	Fuse-5 Amp	5725-9127

To obtain Replacement Parts call Oliver Products Company at 1-800-253-3893

Rev. 6/22/05



MODEL 709 MINI SUPREME BREAD SLICER

NOTE

THE FOLLOWING COMPONENTS MUST BE SELECTED BASED ON THE
MODEL OF GEARMOTOR AND THE ELECTRICS USED ON YOUR SLICER.

"Dayton" Motor wired as 1 Phase, 60 Hertz, 115 Volts AC

<u>ITEM NO.</u>	<u>PART DESCRIPTION</u>	<u>PART NUMBER</u>
701	Crank-Motor	0709-0010
702	Rod-Long Connecting	0709-0034-001
706	Motor-Gear	6310-0250
---	Cord-Motor	0709-0044-101
---	Cord-Power	0709-0056-007

"Leeson" Motor wired as 1 Phase, 60 Hertz, 115 Volts AC

<u>ITEM NO.</u>	<u>PART DESCRIPTION</u>	<u>PART NUMBER</u>
701	Crank-Motor	0709-0010-002
702	Rod-Long Connecting	0709-0034-003
706	Motor-Gear	6310-1910
---	Cord-Power	0709-0056-007

"Leeson" Motor wired as 1 Phase, 60 Hertz, 230 Volts AC

<u>ITEM NO.</u>	<u>PART DESCRIPTION</u>	<u>PART NUMBER</u>
701	Crank-Motor	0709-0010-002
702	Rod-Long Connecting	0709-0034-003
706	Motor-Gear	0709-0054-004
---	Cord-Power	0709-0056-005
---	Cap-Plug 3-Wire 250 VAC	5765-2030

"Leeson" Motor wired as 1 Phase, 50 Hertz, 220 Volts AC

<u>ITEM NO.</u>	<u>PART DESCRIPTION</u>	<u>PART NUMBER</u>
701	Crank-Motor	0709-0010-002
702	Rod-Long Connecting	0709-0034-003
706	Motor-Gear	0709-0054-004
---	Cord-Power	0709-0056-006