



## Gourmet Bun Slicer

### Key Features:

- Ideal for on-premise slicing of bread products
- Adjustable to handle a variety of bun shapes and sizes including bowl bagels and oversized buns
- Compact, sturdy design with heavy duty base, ensures stability
- Exclusive “gentle-touch” door slows the exit of the bun to help prevent damage
- Maintenance-free operation and trouble-free service life



The information contained herein is correct to the best of our knowledge. The recommendations or suggestions are made without guarantee or representation as to results. Freedom from any patent owned by Oliver Packaging and Equipment or other is not to be inferred.

Above specifications subject to change without notice



**Manufactured in the U.S.A.**



Oliver Packaging & Equipment Company  
511 Sixth Street NW • Grand Rapids, MI 49504  
(800) 253-3893 • (616) 356-2950 • [www.oliverquality.com](http://www.oliverquality.com)

**Packaging - Processing**  
**Bid on Equipment**  
**1-847-854-8577**  
[www.bid-on-equipment.com](http://www.bid-on-equipment.com)



## GourmetBun Slicer

### SPECIFICATIONS:

½ H.P., single phase, 60 Hz, 115 VAC, 8.8 AMPS

½ H.P., single phase, 60 Hz, 230 VAC, 4.4 AMPS

½ H.P., single phase, 50 Hz, 220 VAC, 3.6 AMPS

Special electrics also available

### Bun Height:

Up to 3" (76mm)

### Bun Width:

For sliced through: Up to 6" (152mm)

For hinged: Up to 6 ¾" (172mm)

Hinge thickness: Up to ¾" (19mm)

Cutting height from bottom of bun:

5/8" (16mm) to 1-1/2" (38mm)

### Blade Speed:

1,725 RPM

### Finish:

Durable bakery white powder coat finish, wear resistant and easy to clean. Chute, blade, and all other contact parts are stainless steel

### Shipping Weight:

Approx. 175 lbs. (79.4kg)

### Net Weight:

Approx. 100 lbs. (45.4kg)

### Height:

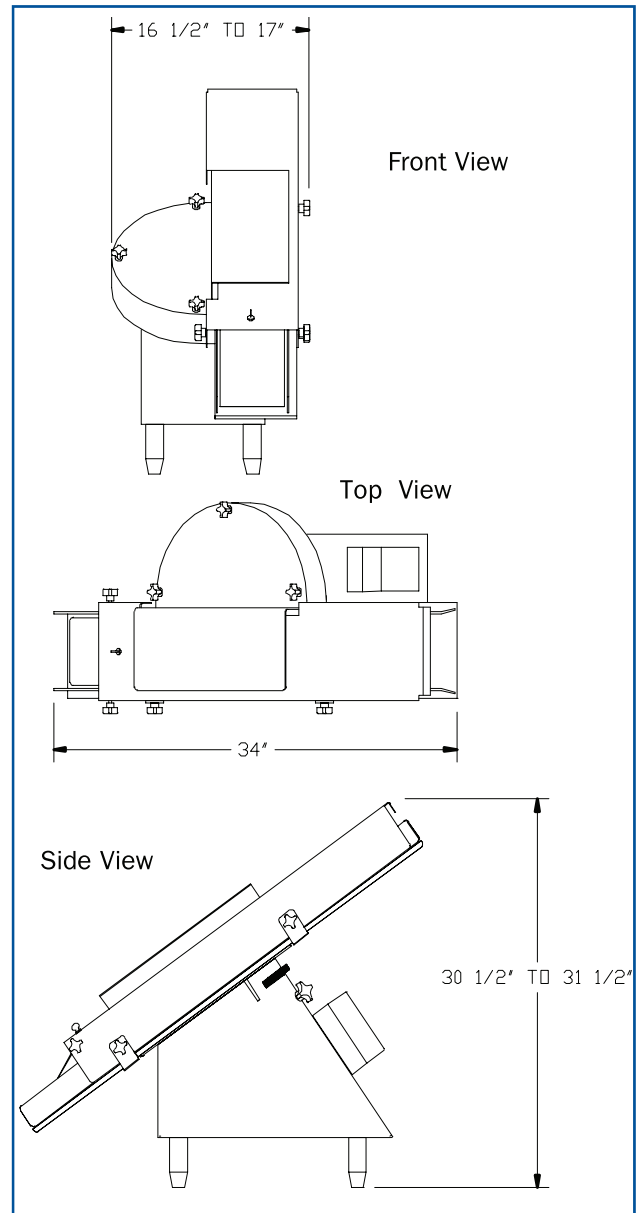
30 1/2" (775mm) to 31 1/2" (800mm)

### Width:

16 1/2" (419mm) to 17" (432mm)

### Length:

34" (864mm)



The information contained herein is correct to the best of our knowledge. The recommendations or suggestions are made without guarantee or representation as to results. Freedom from any patent owned by Oliver Packaging and Equipment or other is not to be inferred.

Above specifications subject to change without notice

**Manufactured in the U.S.A.**



Oliver Packaging & Equipment Company  
511 Sixth Street NW • Grand Rapids, MI 49504  
(800) 253-3893 • (616) 356-2950 • www.oliverquality.com

**Packaging - Processing**  
**Bid on Equipment**  
**1-847-854-8577**  
**www.bid-on-equipment.com**