

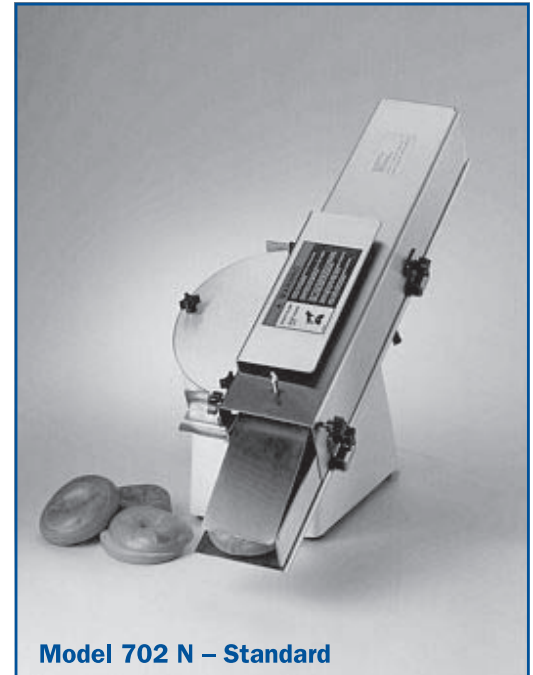


Model 702-N – Standard  
Model 702-NSE – Short Chute End Feed  
Model 702-NSS – Short Chute Side Feed (not shown)

## Bagel and Bun Slicer

### Key Features:

- Cleanly slices everything from sub buns to bagels with ease
- Perfect alternative to hand slicing
- The Oliver-designed adjustable cutting blade offers a variety of cutting depths and heights
- Compact, sturdy design for ease of operation
- Maintenance-free operation for years of dependable service
- Heavy-duty base ensures stability
- Exclusive “gentle-touch” door slows the exit of the bun to help prevent damage (Available only on Model 702N)
- Optional return chute for saving counter space and efficient packaging



Manufactured in the U.S.A.



Oliver Packaging & Equipment Company  
511 Sixth Street NW • Grand Rapids, MI 49504  
(800) 253-3893 • (616) 356-2950 • [www.oliverquality.com](http://www.oliverquality.com)

Packaging - Processing  
**Bid on Equipment**  
1-847-854-8577  
[www.bid-on-equipment.com](http://www.bid-on-equipment.com)



Model 702-N - Standard  
Model 702-NSE - Short Chute End Feed

## Bagel and Bun Slicer

### SPECIFICATIONS:

#### Motor:

1/3 H.P., single phase, 60 Hz, 115 VAC, 6.2 AMPS.

Special electrics also available

#### Bun Height:

Up to 3" (76mm)

#### Bun Width:

For sliced through: Up to 4-3/8" (111mm)

For hinged: Up to 4-7/8" (124mm)

Cutting Height (bottom slice thickness):

5/8" (16mm) to 1-1/2" (38mm)

#### Hinge Thickness:

Up to 1/2" (13mm)

#### Finish:

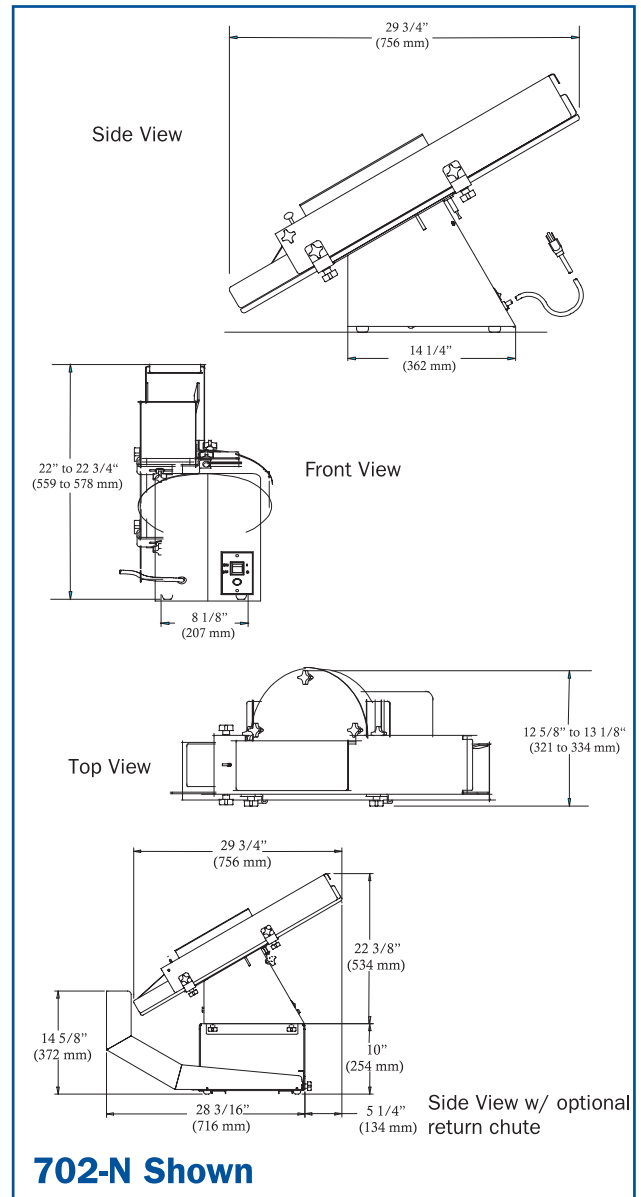
Durable bakery white powder coat finish, wear resistant and easy to clean. Chute, blade, and all other contact parts are stainless steel.

#### Dimensions: (see drawings at right):

Shipping weight: Approx. 85 lbs. (39kg)

#### Net weight:

70 lbs. (32kg)



The information contained herein is correct to the best of our knowledge. The recommendations or suggestions are made without guarantee or representation as to results. Freedom from any patent owned by Oliver Packaging and Equipment or other is not to be inferred.

Above specifications subject to change without notice

**Manufactured in the U.S.A.**



Oliver Packaging & Equipment Company  
511 Sixth Street NW • Grand Rapids, MI 49504  
(800) 253-3893 • (616) 356-2950 • www.oliverquality.com

**Packaging - Processing**  
**Bid on Equipment**  
**1-847-854-8577**  
**www.bid-on-equipment.com**