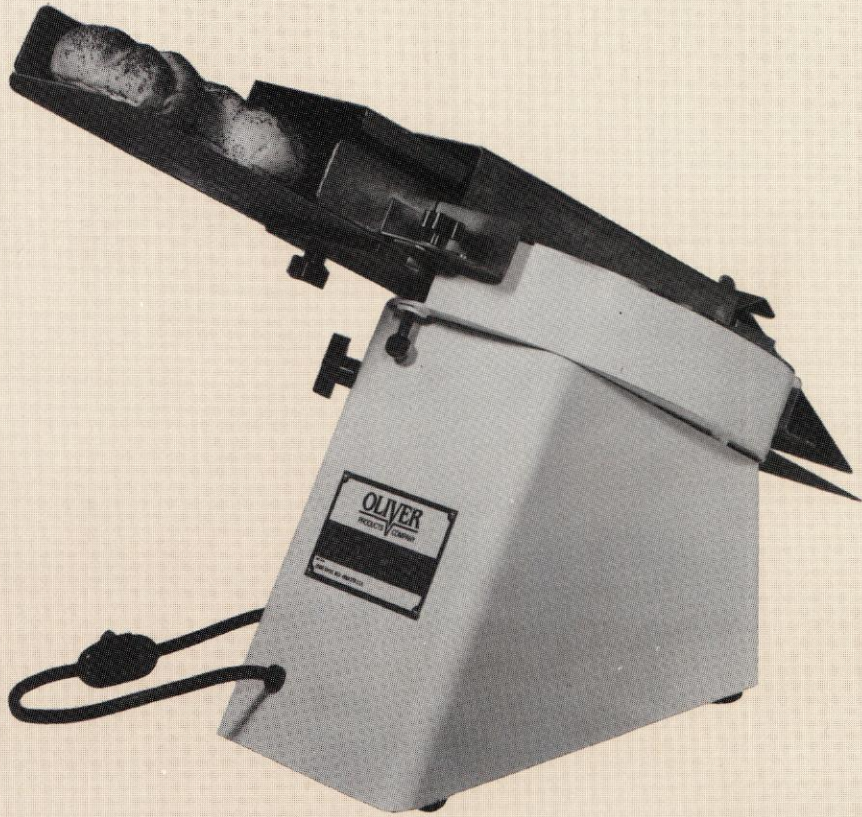


OLIVER[®]

MODEL 700 BUN SLICER



Versatile slicer for in-store bakery, deli, and food service use

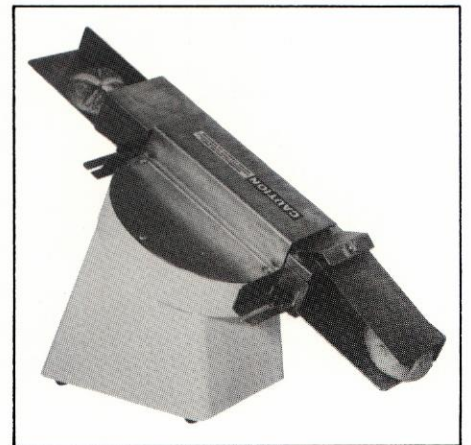
Counter top slicer for in-store/food service applications. The OLIVER Model 700, a durable, counter top bun slicer, is designed to meet the needs of in-store bakeries and delis as well as large institutions with food services.

The Oliver-designed adjustable cutting blade offers a variety of cutting depths and heights. The blade, surrounded by a stainless steel blade guard, assures a fast, clean cut for years of dependable

service. After the cut, the "gentle touch" door slows the exit of the bun, to minimize product damage.

The heavy-duty base is designed for maximum counter contact, ensuring stability.

Like all Oliver products, the Model 700 Bun Slicer is designed for speed, ease of operation, safety, and years of dependable service.



Exclusive "Soft Touch" door provides smooth, gentle discharge of sliced products.

OLIVER Model 700 Bun Slicer

Description

The Model 700 Bun Slicers are compact for counter top use, yet durable for many years of service. OLIVER Bun Slicers have established high standards of maintenance-free operation and continuous service life.

Construction

This slicer is constructed of welded steel. All parts that contact the product are stainless steel. The Model 700 Bun Slicer is painted gloss white enamel.

Capacities

- Unsevered Offset Cut
—4-7/8" maximum width
—1-1/4" maximum height
- Complete Sever Center Cut
—4-3/8" maximum width
—1-1/4" to 3" height

Motor

1/4 H.P. 1/60/115 volts

Blade Speed

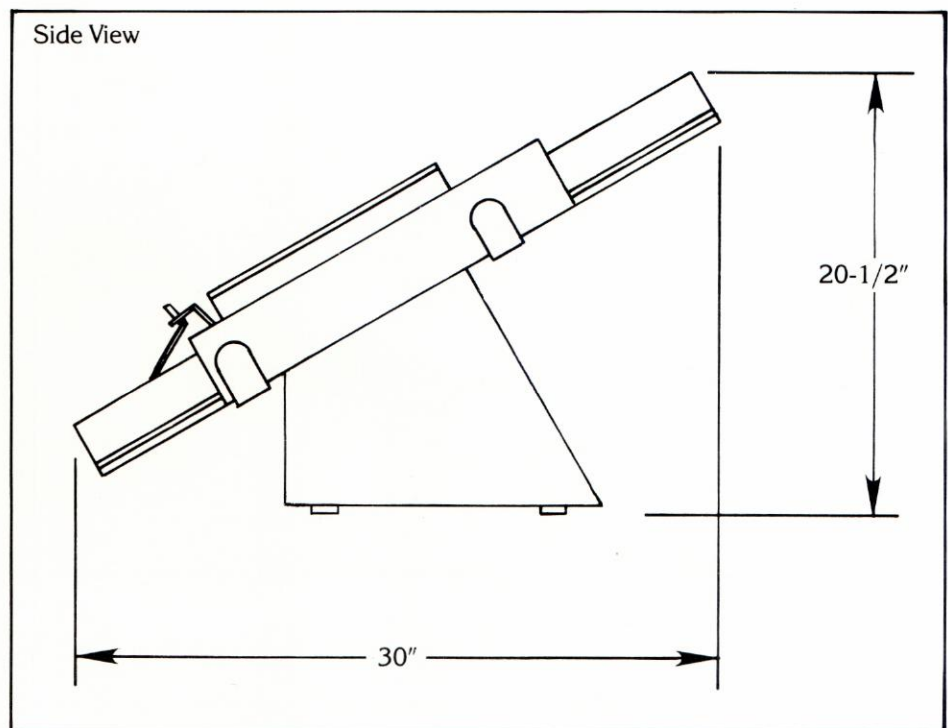
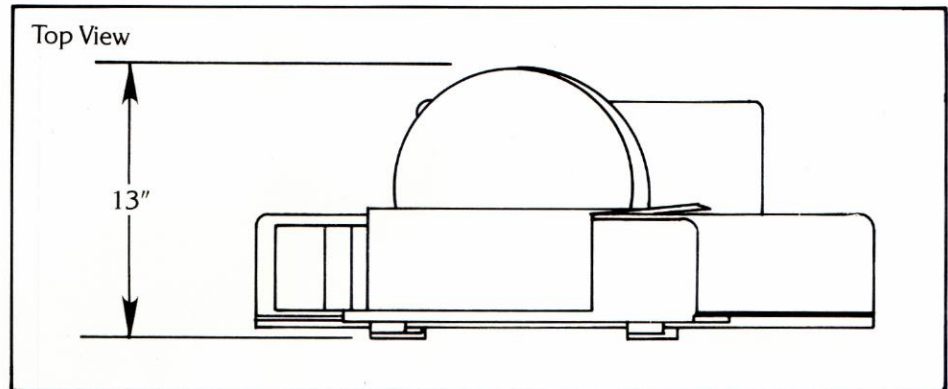
1725 RPM

Dimensions

Height 20-1/2"
Width 13"
Length 30"
Weight approx. 61 lbs.



OLIVER Bun Slicer will neatly cut a variety of buns and rolls including bagels, submarine rolls, English muffins, dinner rolls, hot dog and hamburger buns.



Dealer

Oliver Products Company
445 Sixth St., N.W.
Grand Rapids, MI 49504
616/456-7711 (Michigan)
800/253-3893 (Outside Michigan)

The information contained herein is correct to the best of our knowledge. The recommendations or suggestions are made without guarantee or representation as to results. Freedom from any patent owned by Oliver Products Company or others is not to be inferred.