



Semi-Automatic Bun/Divider Rounder

Key Features:

- Solid cast iron and heavy gauge construction
- 3 plastic molding plates included
- Easy access to grease zirks – no oil required
- Casters available for easy mobility
- Available in 15 or 36 part (must specify)
- Portion size for 15 part:
 - 2.5 oz—8.25 oz approximately
- Portion size for 36 part
 - 1 oz—3.5 oz approximately
- Head tilts in both directions for easy cleaning
- Accurately scales and rounds individual dough pieces



The information contained herein is correct to the best of our knowledge. The recommendations or suggestions are made without guarantee or representation as to results. Freedom from any patent owned by Oliver Packaging and Equipment or other is not to be inferred.

Above specifications subject to change without notice



Manufactured in the U.S.A.



Oliver Packaging & Equipment Company
511 Sixth Street NW • Grand Rapids, MI 49504
(800) 253-3893 • (616) 356-2950 • www.oliverquality.com

Packaging - Processing
Bid on Equipment
1-847-854-8577
www.bid-on-equipment.com



Semi-Automatic Bun/Divider Rounder

SPECIFICATIONS:

Motor:

3/4 H.P., single phase, 60 Hz, 115 VAC,
10 AMPS – ETL listed

3/4 H.P., single phase, 60Hz, 230 VAC,
5 AMPS, Full Load – ETL listed

Special electrics also available

Shipping Weight:

800 lbs. (363kg)

Net Weight:

715 lbs. (324kg)

Height:

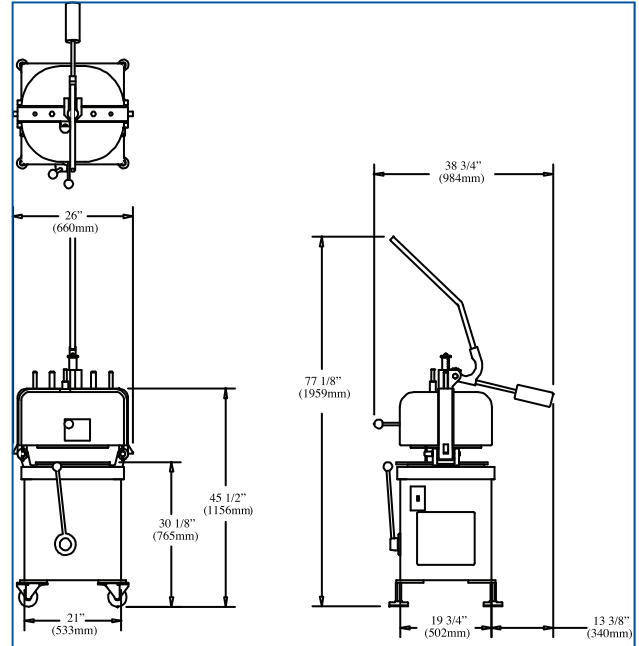
77 1/8" (1959mm)

Width:

33 1/8" (956mm)

Length:

26" (660mm)



Oliver Packaging & Equipment Company
511 Sixth Street NW • Grand Rapids, MI 49504
(800) 253-3893 • (616) 356-2950 • www.oliverquality.com

Manufactured in the U.S.A.

Packaging - Processing
Bid on Equipment
1-847-854-8577
www.bid-on-equipment.com