



Model 623-16N & 623-36N

## Bun Divider

### Key Features:

- Constructed of cast iron and cast aluminum
- Sanitary stainless steel pan included
- Model 623 divides dough into 36 pieces up to 4 oz. (113g) each
- Model 623-16 divides dough into 16 pieces up to 8 oz. (227g) each
- Optional stand available



**623 with Optional Stand**

The information contained herein is correct to the best of our knowledge. The recommendations or suggestions are made without guarantee or representation as to results. Freedom from any patent owned by Oliver Packaging and Equipment or other is not to be inferred.

Above specifications subject to change without notice



**Manufactured in the U.S.A.**



Oliver Packaging & Equipment Company  
511 Sixth Street NW • Grand Rapids, MI 49504  
(800) 253-3893 • (616) 356-2950 • [www.oliverquality.com](http://www.oliverquality.com)

**Packaging - Processing**  
**Bid on Equipment**  
**1-847-854-8577**  
[www.bid-on-equipment.com](http://www.bid-on-equipment.com)



## Bun Divider

### SPECIFICATIONS:

#### Shipping Weight:

150 lbs. (68kg)

#### Net Weight:

135 lbs. (61kg)

#### Height:

41" (1,041mm)

#### Width:

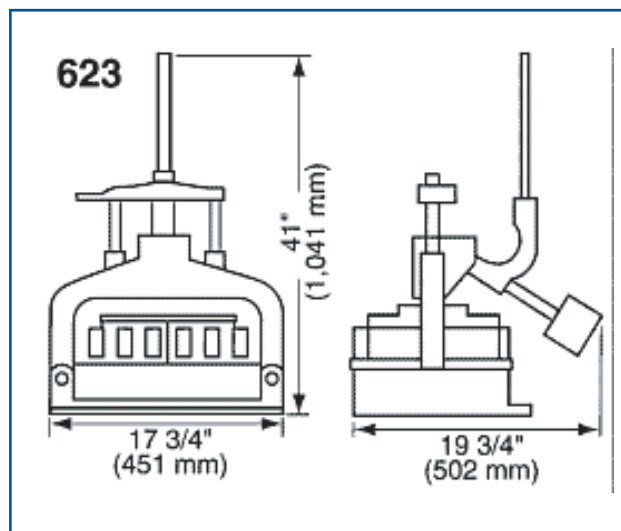
17 3/4" (451mm)

#### Length:

19 3/4" (502mm)

#### Optional:

floor stand with casters



The information contained herein is correct to the best of our knowledge. The recommendations or suggestions are made without guarantee or representation as to results. Freedom from any patent owned by Oliver Packaging and Equipment or other is not to be inferred.

Above specifications subject to change without notice

**Manufactured in the U.S.A.**



Oliver Packaging & Equipment Company  
511 Sixth Street NW • Grand Rapids, MI 49504  
(800) 253-3893 • (616) 356-2950 • [www.oliverquality.com](http://www.oliverquality.com)

**Packaging - Processing**  
**Bid on Equipment**  
**1-847-854-8577**  
[www.bid-on-equipment.com](http://www.bid-on-equipment.com)