



Grand Rapids, Michigan, U.S.A. 49504-5298

USER'S OPERATING AND INSTRUCTION MANUAL

MODEL 619-MDP

DOUGH PRESS

0619S20000-CV3



619-MDP DOUGH PRESS INDEX

<u>Section Description</u>	<u>Document No.</u>	<u>Page No.</u>
SAFETY INSTRUCTIONS -----	0619S20141 -----	1-1
DESCRIPTION/SPECIFICATIONS -----	0619S20130 -----	2-1
Description -----		2-1
Physical Specifications -----		2-1
Electrical Specifications -----		2-2
Electrical Wiring Diagrams -----		2-1
OPERATING INSTRUCTIONS -----	0619S20131 -----	3-1
Before You Start -----		3-1
Basic Operation -----		3-1
MAINTENANCE -----	0619S20132 -----	4-1
Cleaning -----		4-1
Lubrication -----		4-1
Hydraulic Oil Specification -----		4-1
Hydraulic Filter Replacement -----		4-1
Removing the Lid -----		4-2
Replacing the Locking Hook or Cam -----		4-2
Replacing a Pressing Plate -----		4-3
Removing the Backing Plate -----		4-3
Replacing the Hydraulic Cylinder -----		4-3
Removing the Motor -----		4-4
Changing the Pump or Coupling -----		4-4
Replacing the Control Valve -----		4-5
TROUBLESHOOTING -----	0619S20133 -----	5-1
The Ram up Light Does Not Come On -----		5-1
The Motor Hums but Will Not Start -----		5-1
The Motor Runs but Stalls at Either End of the Cylinder's Travel -----		5-1
The Motor Runs Slowly but Stalls Easily before Completion of its Stroke -----		5-1
The Motor Has Stalled and Can Not be Restarted -----		5-2
The Overload Relay Continually Trips -----		5-2
The Dough Press is Not Pressing Properly -----		5-2
RECOMMENDED SPARE PARTS -----	0619S20134 -----	6-1
REPLACEMENT PARTS SECTION		
MAIN FRAME ASSEMBLY -----	0619S20135 -----	7-1
Drawing -----		7-1
Parts List -----		7-2

Continued



INDEX (Continued)

REPLACEMENT PARTS SECTION (Continued)

<u>Section Description</u>	<u>Document No.</u>	<u>Page No.</u>
COVER ASSEMBLY -----	0619S20136 -----	8-1
Drawing -----		8-1
Parts List -----		8-2
HYDRAULIC ASSEMBLY -----	0619S20137 -----	9-1
Drawing -----		9-1
Parts List -----		9-2
LID ASSEMBLY -----	0619S20138 -----	10-1
Drawing -----		10-1
Parts List -----		10-2
PUSHER ASSEMBLY -----	0619S20139 -----	11-1
Drawing -----		11-1
Parts List -----		11-2
ELECTRICAL ASSEMBLY -----	0619S20140 -----	12-1
Drawing -----		12-1
Parts List -----		12-2
WARRANTY -----	GEN 040225	
WARRANTY PROCEDURE -----	GEN 040226	
RETURNED PARTS POLICY -----	GEN 040227	



Oliver Packaging & Equipment Company
511 Sixth Street NW • Grand Rapids, MI 49504

(800) 253-3893
www.oliverquality.com

619-MDP DOUGH PRESS

SAFETY INSTRUCTIONS

Every effort has been made by Oliver Products Company to provide you with a safe machine. It is essential, however, that machine operators and maintenance personnel observe the following safety precautions.

1. Before attempting to operate your dough press read this manual. Never allow an untrained person to operate this machine.
2. Make sure that the machine is only connected to a properly grounded electrical supply source of sufficient capacity for the load the divider will put on it. Always unplug the machine when it is not in use.
3. Always make sure the machine has been disconnected and locked-out from the power supply before cleaning or servicing.
4. All guards must be in place before starting the machine.
5. Keep your hands away from the moving parts of the machine.
6. Use only proper replacement parts.
7. Do not wear loose fitting clothing. Shirt tails should be tucked in.
8. In addition to these general safety instructions, also follow the more specific safety instructions given for the different areas of the machine in the operating instructions.



619-MDP DOUGH PRESS

DESCRIPTION/SPECIFICATION

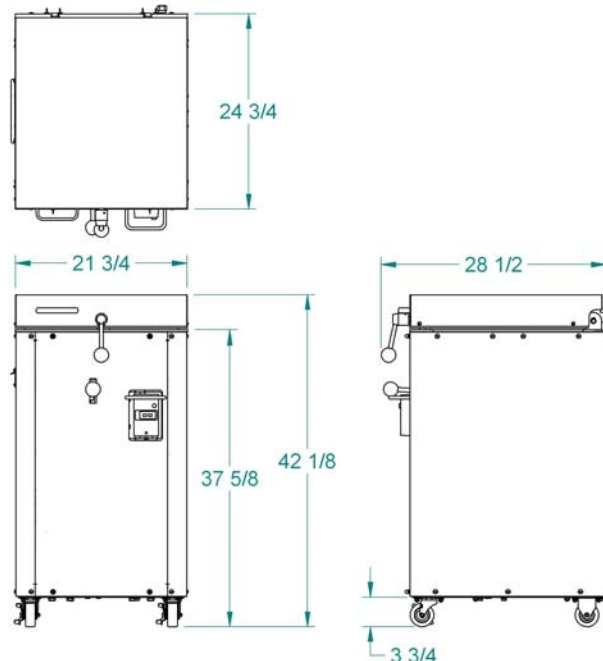
Description

The Oliver dough press consists of a hopper which can be loaded with dough from an approximate minimum of ten and one half pounds up to forty pounds, (depending on the density of the dough). The lid and sides of the hopper are made of hard anodized and Teflon impregnated cast aluminum. The pressing plate located at the bottom of the hopper is manufactured of a food grade plastic and is raised by hydraulic pressure to compress the dough. This makes the machine ideal for puff and fine pastries and products requiring dough lamination.

The hydraulic pump is powered by a two horsepower, totally enclosed motor. The system has a built-in four and one half gallon hydraulic oil tank making the machine totally self-contained and is provided with casters to allow for easy movement about the work area.

Physical specifications

OVERALL MACHINE DIMENSIONS





Oliver Packaging & Equipment Company
511 Sixth Street NW • Grand Rapids, MI 49504

(800) 253-3893
www.oliverquality.com

Physical specifications (continued)

Net Weight:
Approximately 455 pounds.

Shipping Weight:
Approximately 500 pounds.

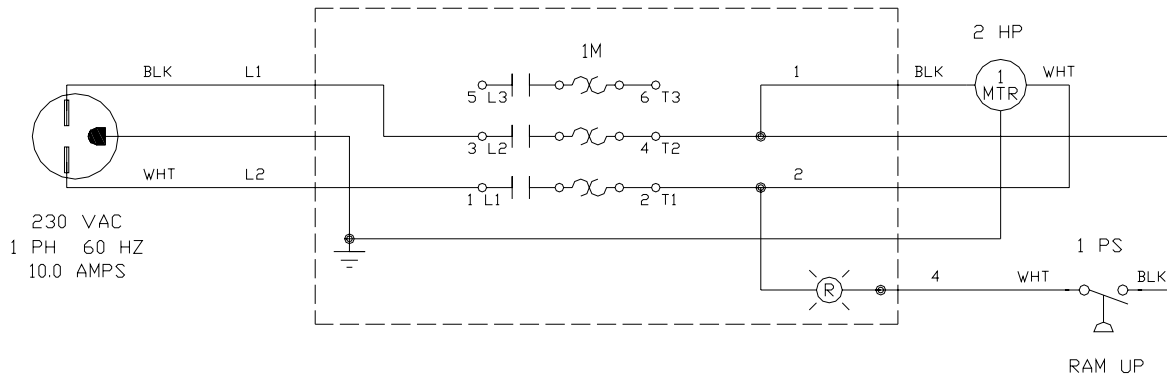
Product Capacities:
Fill Capacity (approximate) = 10-1/2 to 40 pounds

Electrical Specifications

- 2 Horse Power, 1 phase, 60 hertz, 230 Volts AC, 10 Amps.
- 2 Horse Power, 3 phase, 60 hertz, 208 Volts AC, 6.5 Amps.
- 2 Horse Power, 3 phase, 60 hertz, 230 Volts AC, 6.2 Amps.
- 2 Horse Power, 3 phase, 60 hertz, 460 Volts AC, 3.1 Amps.
- Others consult factory

Electrical Wiring Diagrams

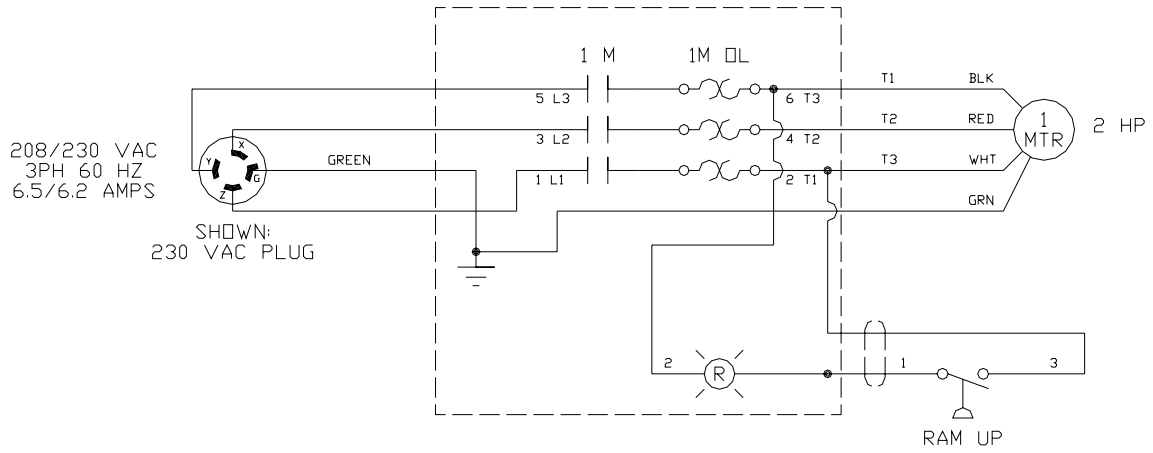
1 ph, 60 hz, 230 VAC



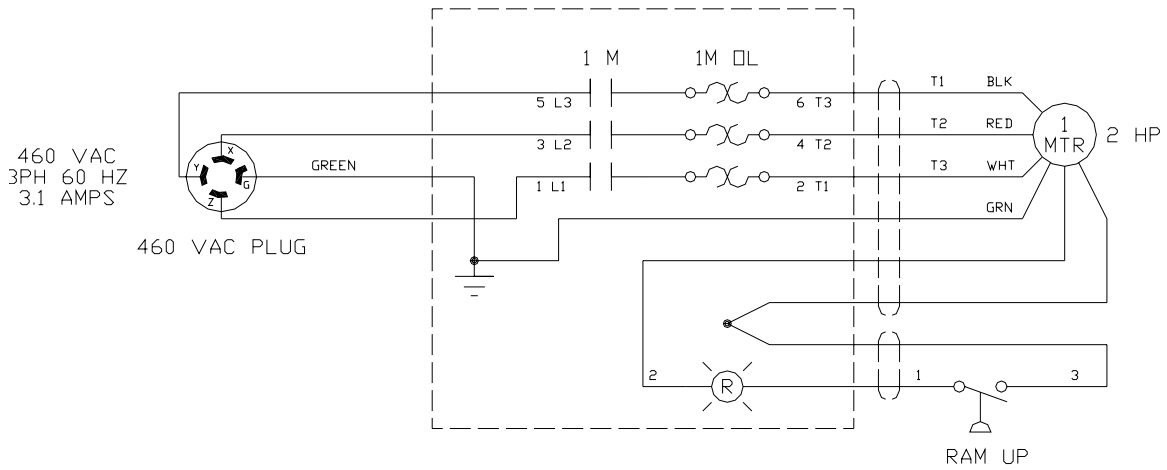


Electrical Wiring Diagrams (Continued)

3 ph, 60 hz, 208/230 VAC



3 ph, 60 hz, 460 VAC





619-MDP DOUGH PRESS

OPERATING INSTRUCTIONS

Before You Start

CAUTION

THE DOUGH PRESS SHOULD **ONLY** BE PLUGGED INTO AN OUTLET WITH THE SAME VOLTAGE AS STATED ON THE NAMEPLATE

Before starting a new dough press with **THREE PHASE** electrical power for the first time you should check to see if the motor is running in the correct direction. Remove the front cover by removing the four thumbscrews which secure it; you will also have to remove the handle from the directional control lever before removing the front cover. Once the cover has been removed you should be able to see the fan end of the motor on your dough press, this fan **MUST** rotate in a clockwise direction.

CAUTION

EXTENDED RUNNING OF A DOUGH PRESS WITH THE MOTOR ROTATING IN THE INCORRECT DIRECTION WILL SEVERELY DAMAGE THE HYDRAULIC PUMP OF YOUR MACHINE.

If the motor is rotating in the incorrect direction turn the machine off, disconnect it from the power supply and have a qualified electrician reverse two of the three power wires in the plug at the end of the power cord. **DO NOT** move the ground, (green), wire.

WARNING

ALWAYS HAVE ELECTRICAL WORK DONE BY QUALIFIED ELECTRICIANS ONLY.

Recheck the dough press making sure that it is now running in the correct direction, (clockwise looking at the fan end of the motor). Each time the machine is moved to a different power supply or has electrical work done which could alter the motor rotation, the motor must be rechecked for proper rotation.

Basic Operation

- Make sure the floor of the hopper has been lowered before attempting to open the lid of the divider.
- Open the lid and load the dough into the hopper. Spread the dough over the floor of the hopper making it approximately the same height, this is done to eliminate large air pockets.



Basic Operation (Continued)

- Close the lid and turn the handle in a clockwise direction making sure it is secure.
- With the machine running grasp the control valve handle and lift it to start the floor of the hopper up. Hold it in this position until the light on the starter switch box comes on, the light indicates that the preset pressing pressure has been achieved. Let loose of the valve handle when you see that the light is on.
- Press the control valve handle down slightly to release the pressure on the lid so it can be opened. Open the lid.
- The dough can now be removed and the above process repeated.

WARNING

NEVER LEAVE DOUGH IN A MACHINE WITHOUT OPENING THE LID;
RISING DOUGH MAY CAUSE EXPLOSIVE PRESSURES TO DEVELOP.

WARNING

NEVER FORCE THE LID HANDLE OPEN

- If dough has been left in the machine and the lid handle is difficult to turn, recompress the dough by lifting the control valve handle until the light come on. This will raise the floor of the hopper, after doing so lower the hopper floor by pressing down on the control valve handle. This may have to be done more than once if dough has been left in the machine for quite awhile. With the hopper floor all the way down try to open the lid again. The handle should turn easily, if it does not, recompress the dough and try again.
- The dough press is designed so that if dough is left in the hopper it will eventually force the hopper's floor to the bottom, thus allowing the dough to vent to the outside of the machine through openings on the left side. If dough is coming out of these openings follow the steps above, recompressing the dough a number of times before attempting to open the lid.



619-MDP DOUGH PRESS

MAINTENANCE

WARNING

ALWAYS MAKE SURE THE MACHINE HAS BEEN DISCONNECTED FROM THE POWER SUPPLY BEFORE CLEANING OR SERVICING

Cleaning

Remove- all scraps from lower pan. Open side doors and brushing out all scraps. **Wash** all interior surfaces; Knives, pusher plates, hopper, lid surface with a damp rag and mild soap solution. The exterior and contact surfaces should be cleaned daily using common cleaners. The **knives** should be extended for easier cleaning. This can be done by placing the cleaning separator, furnished with the machine, **IN THE CENTER OF THE HOPPER** straddling the knives. Close the lid and bring the floor of the hopper up until the light on the manual starter is on, lower the floor slightly. **Open the lid and disconnect the divider from the power supply.** Clean the knives and plastic compartment floors of all dough build-up. **Rinse** all interior surfaces with a damp rag and clean water. **Sanitize** all interior surfaces with a damp rag and sanitizing solution. **Air Dry**, leave divider lid open and allow interior to air dry before using.

Occasionally, or as required, remove the front and rear covers to allow access to the drive chamber. There you should remove any build up of flour and dough particles in the base of the machine and from around the motor. When finished replace the covers.

Lubrication

The machine requires no lubrication but the oil level in the hydraulic system should be checked periodically. To check the oil level remove the rear cover by removing the four knobs which secure it to the divider, then remove the tank breather/cap and determine where the top of the oil is in relation to the top surface of the tank. Fill with oil to within approximately one inch of the top surface. If necessary add **HYDRAULIC OIL** to return it to the proper level, **DO NOT OVERFILL**. In addition to the above we advise replacing the hydraulic oil in the system approximately every three years.

Hydraulic Oil Specification

The hydraulic oil used in your divider should be made of good quality base stocks compounded with the following additives: anti-wear, anti-oxidation, antifoaming, and antirust. In addition it should be an "ISO" viscosity grade No. 32.



Hydraulic Filter Replacement

At least once a year the throw-away filter on the hydraulic system should be replaced, more often when under heavy use. To replace the filter disconnect the machine from the power supply, remove the front cover and unscrew the old filter. Replace it with a new one. The filter is located on the return line near the tank. After replacing the filter run the machine for five minutes and then check the oil level in the tank. See "Lubrication" above for how to check the oil level. Add oil if necessary to return it to the proper level.

Removing The Lid

- Remove the lid cover by removing the four screws which secure it in position.
- Open the lid as far as it will go.
- Release the tension on the two large torsion springs by moving the long leg of each spring to the side and out from behind the bracket.

WARNING

USE CARE AS THE LID WILL DROP ONCE THE SPRING TENSION HAS BEEN REMOVED

- Close the lid and remove the right hand snap ring from the lid hinge pin and push the pin to the left to remove it.
- Reassemble by reversing the above steps.

Replacing The Locking Hook Or Cam:

- Remove the lid cover by removing the four screws which secure it in position.
- Detach the spring from the hook.
- Open the lid.
- Turn the handle until the pin securing the cam to the shaft is in line with the notch in the locking hook. Using a small drift punch force the pin upwards removing it from the handle shaft.

Replacing The Locking Hook Or Cam

- Pull the shaft and cam assembly forward out of the lid.
- The hook or locking cam can now be replaced.
- Reassemble by reversing the above steps.



Replacing A Pressing Plate

- Open the lid and raise the bottom of the hopper.
- Turn the machine off and disconnect it from the power supply.
- Remove the front and rear panels to gain access to the pusher components.
- Remove the sixteen screws securing the pressing plate to the backing plate.
- Using a narrow block of wood or other soft material, force the pressing plate upwards until it is free from the backing plate and then lift the pressing plate out of the cavity.
- Reassemble by reversing the above steps.

Removing the Backing Plate

- Remove the Pressing Plate as described above.
- Remove the bolt securing the backing plate to the cylinder rod. The backing plate can now be lifted from the machine.
- When the machine is re-assembled the bolt securing the backing plate to the cylinder rod should be installed using “Loctite ®” adhesive to prevent loosening during operation. The remaining components can be reinstalled by reversing the above steps.

Replacing The Hydraulic Cylinder

- Turn the machine on and raise the pressing plate to the top of the hopper and then turn the dough press off and disconnect it from the power supply.
- To remove the hydraulic cylinder the front, rear, and side panels must be removed from the machine.
- Remove the Pressing Plate and Backing Plate as described above.

Replacing The Hydraulic Cylinder

- Remove the bolts securing the starter switch bracket from the hex support rods, and unplug the pressure switch wires. **DO NOT** disconnect the wires from the starter.
- Remove one of the snap-rings securing the yoke and safety lock pivot pin. Remove the pin so that the linkage can be unhooked from the top of the machine.



Replacing The Hydraulic Cylinder

- Remove the eight screws securing the cylinder to the cylinder mounting channel.
- Remove the four bolts securing the cylinder mounting channel to the lower hex support rods.
- The upper portion of the divider can now be removed and set to one side.
- Disconnect both high pressure hoses at the cylinder allowing removal of the cylinder for repair or replacement.
- When the machine is reassembled the bolt securing the backing plate to the cylinder rod should be installed using “Loctite ®” thread locker to prevent loosening during operation. All other components can be reinstalled by reversing the above steps.

Removing The Motor

- Disconnect the machine from the power supply.
- Remove the front, rear and “Motor Side” panels.
- Remove the four screws securing the pump bracket to the front of the motor.
- Remove the four nuts securing the motor to the base of dough press.
- Remove the terminal cover on the motor and disconnect the wiring, note the wire locations to ease replacement of the motor.
- The motor should now be free and can be removed by sliding the motor, with its half of the coupling, out of the pump’s half of the coupling and lifting it free of the machine.
- Re-assemble by reversing the above steps.

Changing The Pump Or Coupling

- Disconnect the machine from the power supply.
- Remove the rear cover and the “Motor Side” panels.
- Loosen the intake hose at the pump, make sure you have something available to catch the hydraulic oil leaking from the end of the hose when it is disconnected.



Changing The Pump Or Coupling (Continued)

- Remove the high pressure hose from the outlet side of the pump.
- Remove the four bolts from the feet of the motor which secure it to the base this will allow the motor to be pivoted slightly to allow pump removal.
- Remove the bolts securing the pump to the bracket, pivot the motor and slide the pump with its half of the coupling out and free of the motor.
- Replace the pump by reversing the above procedures.

Replacing The Control Valve

- Remove the front and side panels from the divider.
- Disconnect the three high pressure hoses from the control valve and remove the filter head assembly from the machine.
- Remove the lower pivot bolt from the lower end of the linkage connecting the valve and the control handle.
- Remove the three screws holding the valve to the valve mounting plate and remove the valve from the divider.
- Remove the remaining linkage parts from the old valve and re-install them on the new valve. The new valve can then be installed in the divider by reversing the above procedures.
- Once the installation has been completed it **IS** necessary to adjust the pressure relief valve to allow proper operation of the divider. To change the pressure relief setting, follow the step below.
- Looking at the pressure gauge attached to the pressure hose on the pump, with the pump running, use the calibrating screw in the bottom of the valve to set the pressure at 650 PSIG secure the calibrating screw in place with the locking nut once the proper pressure has been achieved.



619-MDP DOUGH PRESS TROUBLE SHOOTING GUIDE

The "Ram Up Light" does not come on.

Possible Causes

- There may be a disconnected wire.
- The pilot light may have burnt out.
- The pressure switch is not operating and needs replacement.

The motor "Hums" but will not start.

Possible Causes

- The motor is a dual voltage motor and may be wired for high voltage, but, an attempt is being made to run it on low voltage.
- The electric supply to the motor is single phase instead of three phase.
- One of the leads of the three phase system has opened.

The motor runs but "Stalls" at either end of the cylinder's travel.

Possible Causes

- The incorrect overload relay was installed or the setting of that overload relay is incorrect.
- The setting of the hydraulic relief valve is too high.
- The motor is running backwards and needs its rotation corrected. See "Before You Start" in the Operating Instructions.



The motor runs “Slowly” but stalls easily before completion of its stroke.

Possible Causes

- The motor is wired for high voltage but is connected to a low voltage supply.

Trouble Shooting (Continued)

The motor has “Stalled” and can not be restarted.

Possible Causes

- The overload relay has tripped. Allow the relay about five minutes to cool and attempt to restart the divider.

The overload relay continually trips.

Possible Causes

- An incorrect overload relay was installed or the setting of the overload relay is incorrect.
- There is an electrical problem in the machine have it checked by a qualified electrician.

The dough press is not pressing properly.

Possible Causes

- Check the oil level in the tank, refill if necessary see “Lubrication” under maintenance.
- Check to see if the calibrating screw on the control valve has become loose. If it has check the procedure for setting the pressure, given under “Replacing the Control Valve” in the maintenance section.
- The motor is running backwards and needs its rotation corrected. See “Before You Start” in the Operating Instructions.



Oliver Packaging & Equipment Company
511 Sixth Street NW • Grand Rapids, MI 49504

(800) 253-3893
www.oliverquality.com

619-MDP DOUGH PRESS

RECOMMENDED SPARE PARTS

<u>PART NUMBER</u>	<u>PART DESCRIPTION</u>	<u>NO. REQ'D.</u>
7024-6101	Extension Spring	1
7030-0024	LH Lid Spring	1
7030-0023	RH Lid Spring	1
5835-7636	Coiled Pin	1
5114-9556	Hydraulic Filter	1
5757-8518	Pressure Switch	1
5709-9924	Starter Enclosure	1
5709-0191	Pilot Light	1
5709-3040	Motor Starter (3-60-460V)	1
5709-3041	Motor Starter (3-60-230V)	1
5709-3042	Motor Starter (3-60-208V)	1
5709-3043	Motor Starter (1-60-230V)	1

OPTIONAL SPARE PARTS

0620-0036	Handle Shaft	1
0620-0037-1	Latch Cam	1
0620-0017-3	Hook	1
0620-0067-1	Catch	1
0619-0018-002	Handle Rod	1
0619-0019-002	Hub	1
5911-7003	Handle Knob	1
5148-5624	Valve (Hydraulic)	1
5137-7004	Hydraulic Pump	1
5604-6958	Coupling	1
6303-6613	Motor 3 ph, 60 HZ, 208/230/460 VAC	1
6303-6725	Motor 1 ph, 60 HZ, 230VAC	1

Note: For Other electrics consult factory.

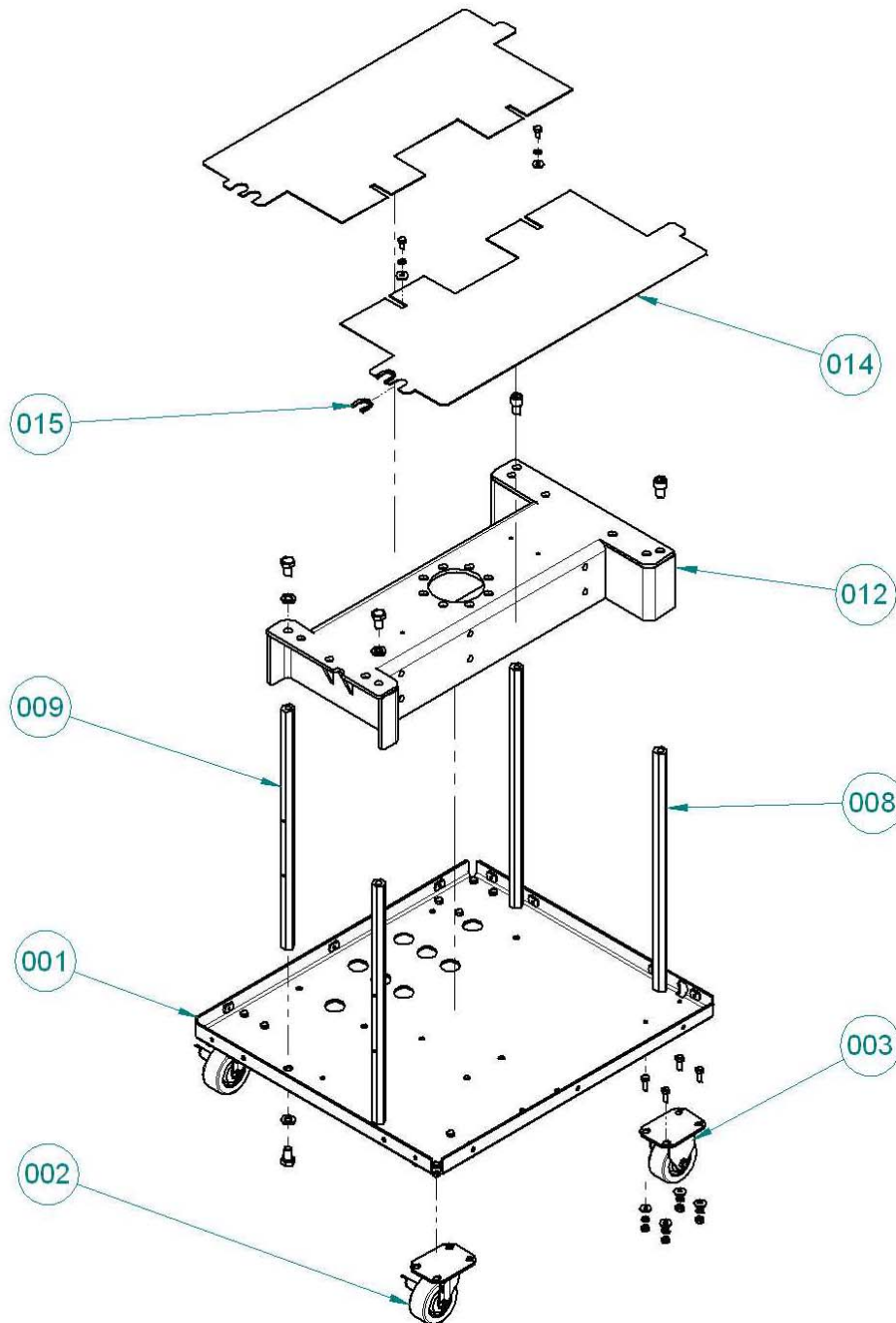


Oliver Packaging & Equipment Company
511 Sixth Street NW • Grand Rapids, MI 49504

(800) 253-3893
www.oliverquality.com

619-MDP DOUGH PRESS

MAIN FRAME





Oliver Packaging & Equipment Company
511 Sixth Street NW • Grand Rapids, MI 49504

(800) 253-3893
www.oliverquality.com

MAIN FRAME PARTS LIST

<u>ITEM NO</u>	<u>PART DESCRIPTION</u>	<u>PART NUMBER</u>
001	Base	0620-0008
002	Caster-Swivel	5902-2377
003	Caster-Rigid	5902-2378
008	Brace-Lower	0620-0006-001
009	Brace-Front Lower	0620-0006-002
012	Plate-Cylinder Support	0620-0007-001
014	Panel-Separation	0620-0032
015	Grommet-Edging Nylon	5767-1240

FOR SERVICE PARTS CALL OLIVER PRODUCTS @ 800-253-3893

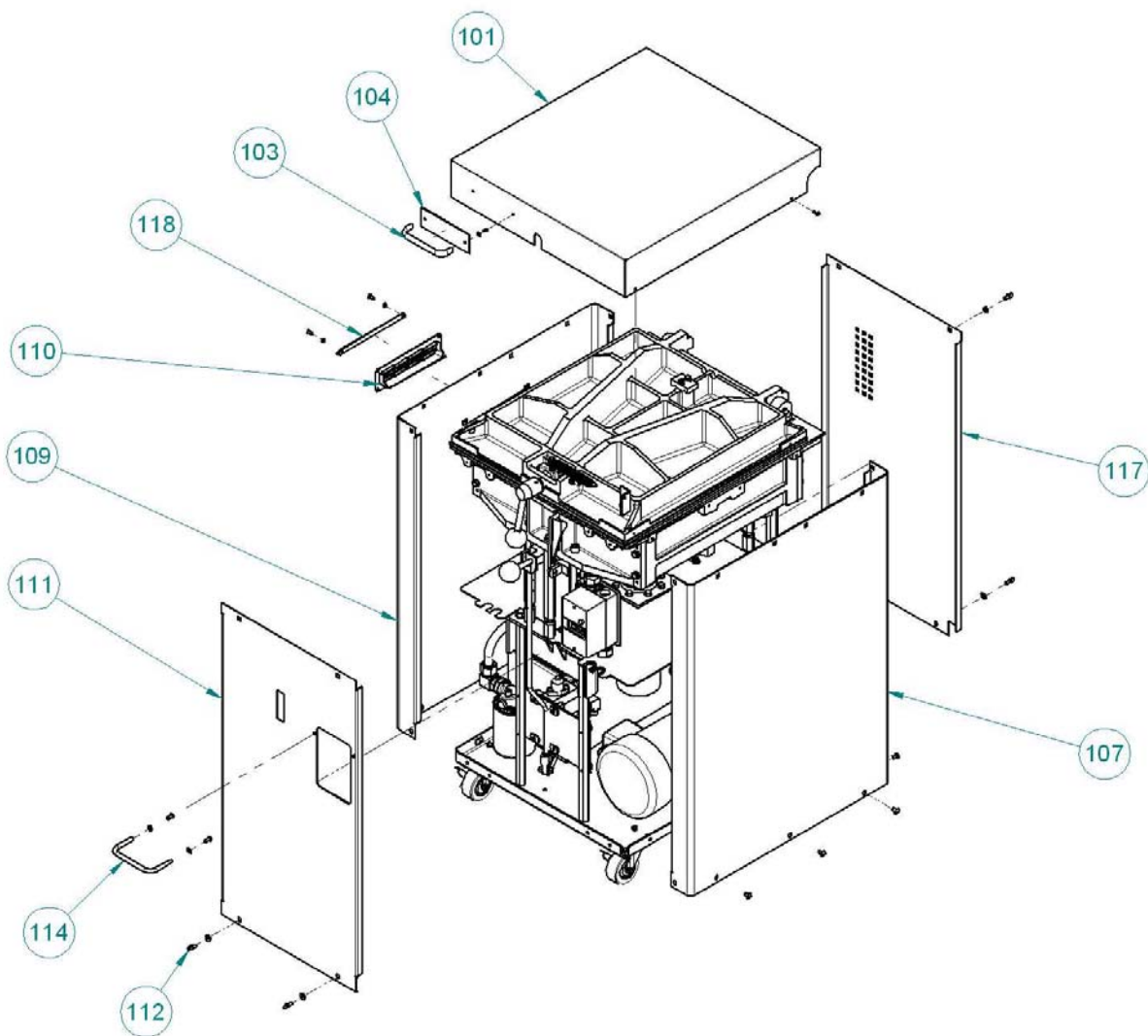


Oliver Packaging & Equipment Company
511 Sixth Street NW • Grand Rapids, MI 49504

(800) 253-3893
www.oliverquality.com

619-MDP DOUGH PRESS

COVER ASSEMBLY





Oliver Packaging & Equipment Company
511 Sixth Street NW • Grand Rapids, MI 49504

(800) 253-3893
www.oliverquality.com

COVER ASSEMBLY PARTS LIST

Stainless Steel Covers

<u>ITEM NO</u>	<u>PART DESCRIPTION</u>	<u>PART NUMBER</u>
101	Cover-Top	0620-0001-001
103	Handle-Pull	5908-5101
104	Plate-Backing	0619-0028
107	Cover-Side	0620-0029-002
109	Cover-Side W/Chute	0620-0029-005
110	Chute-Dough	0619-0027-008
111	Cover-Front	0620-0030-003
112	Screw-Thumb	5843-0536
114	Guard-Switch	0620-0106
117	Cover-Rear	0620-0031-001
118	Deflector	0619-0043

Painted Covers

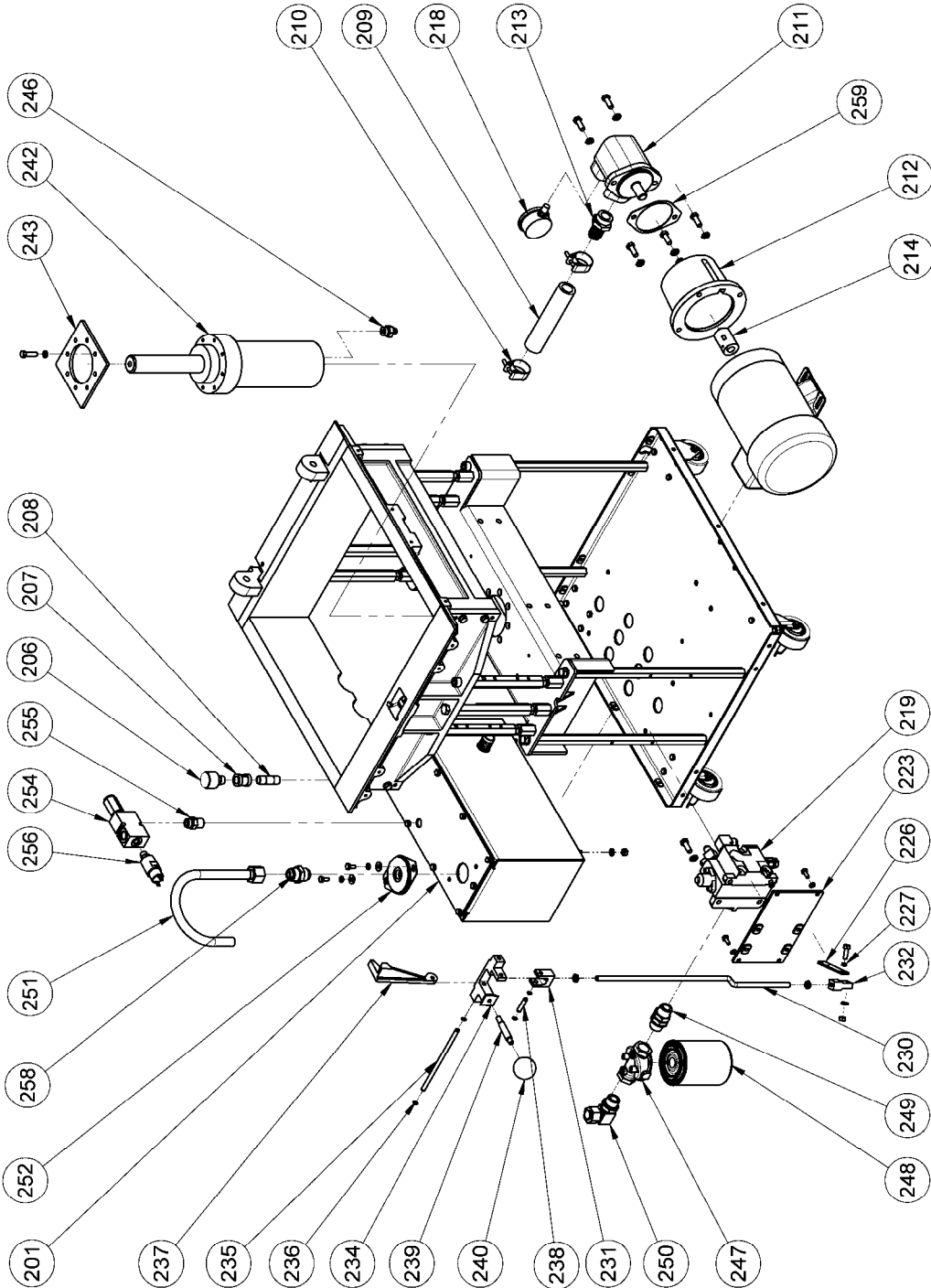
101	Cover-Top	0620-0001
103	Handle-Pull	5908-5101
104	Plate-Backing	0619-0028
107	Cover-Side	0620-0029
109	Cover-Side W/Chute	0620-0029-004
110	Chute-Dough	0619-0027-008
111	Cover-Front	0620-0030
112	Screw-Thumb	5843-0536
114	Guard-Switch	0620-0106
117	Cover-Rear	0620-0031
118	Deflector	0619-0043

FOR SERVICE PARTS CALL OLIVER PRODUCTS @ 800-253-3893



619-MDP DOUGH PRESS

HYDRAULIC ASSEMBLY



Rev. 10/25/05



Oliver Packaging & Equipment Company
511 Sixth Street NW • Grand Rapids, MI 49504

(800) 253-3893
www.oliverquality.com

HYDRAULIC ASSEMBLY PARTS LIST

ITEM NO	PART DESCRIPTION	PART NUMBER
201	Tank-Oil	0620-0069-002
206	Breather-Tank	5149-0204
207	Coupling-Black Pipe	5115-0332
208	Nipple-Black Pipe	6203-0407
209	Hose-Suction	0619-0016
210	Clamp-Heavy Duty Hose	5106-8087
211	Pump-Vane 2GPM	5137-7004
212	Flange-Pump Mounting	5137-7375
213	Fitting-Hose	5115-2079
214	Coupling-Pump	5604-6958
218	Gauge-Liquid Filled	5118-0506
219	Valve-4Way	5148-5624
223	Plate-Valve Mounting	0620-0027-001
226	Lever-Valve Actuating	0620-0026-001
227	Spacer	0620-0086
230	Rod-Valve Actuating	0620-0019-002
231	Clevis-Rod	0620-0020
232	Eye-Rod	0620-0021
234	Stirrup	0620-0015
235	Pin-Stirrup Pivot	0620-0025
236	Ring-Retaining	5840-1110
237	Lock-Safety	0620-0016
238	Pin	0620-0022
239	Rod-Handle	0620-0024-002
240	Knob	5911-7001
242	Cylinder-Hydraulic	5108-7665
243	Plate-Cylinder Alignment	0620-0120
246	Fitting-Adapter	5115-2093
247	Head-Filter	5114-9554
248	Filter-Spin-On	5114-9556
249	Fitting-Adapter	5115-4031
250	Fitting-Elbow	5115-4032
251	Tube-Return w/Flare	5147-0130
252	Flange-Tank	5115-0388
254	Valve-Pressure Relief	5148-6306
255	Fitting-Adapter	5115-2095
256	Switch-Pressure	5757-8518
258	Valve-Check	5148-5217
259	Spacer-Pump/Flange	0619-0044
Items Not Shown on Drawing		
217	Hose-Pump High Pressure	5121-8235
241	Hose-Upper Cylinder	5121-8174
245	Hose-Valve to Lower Cylinder	5121-8187
257	Hose-Valve to Relief	5121-8196

FOR SERVICE PARTS CALL OLIVER PRODUCTS @ 800-253-3893
Rev. 10/25/06

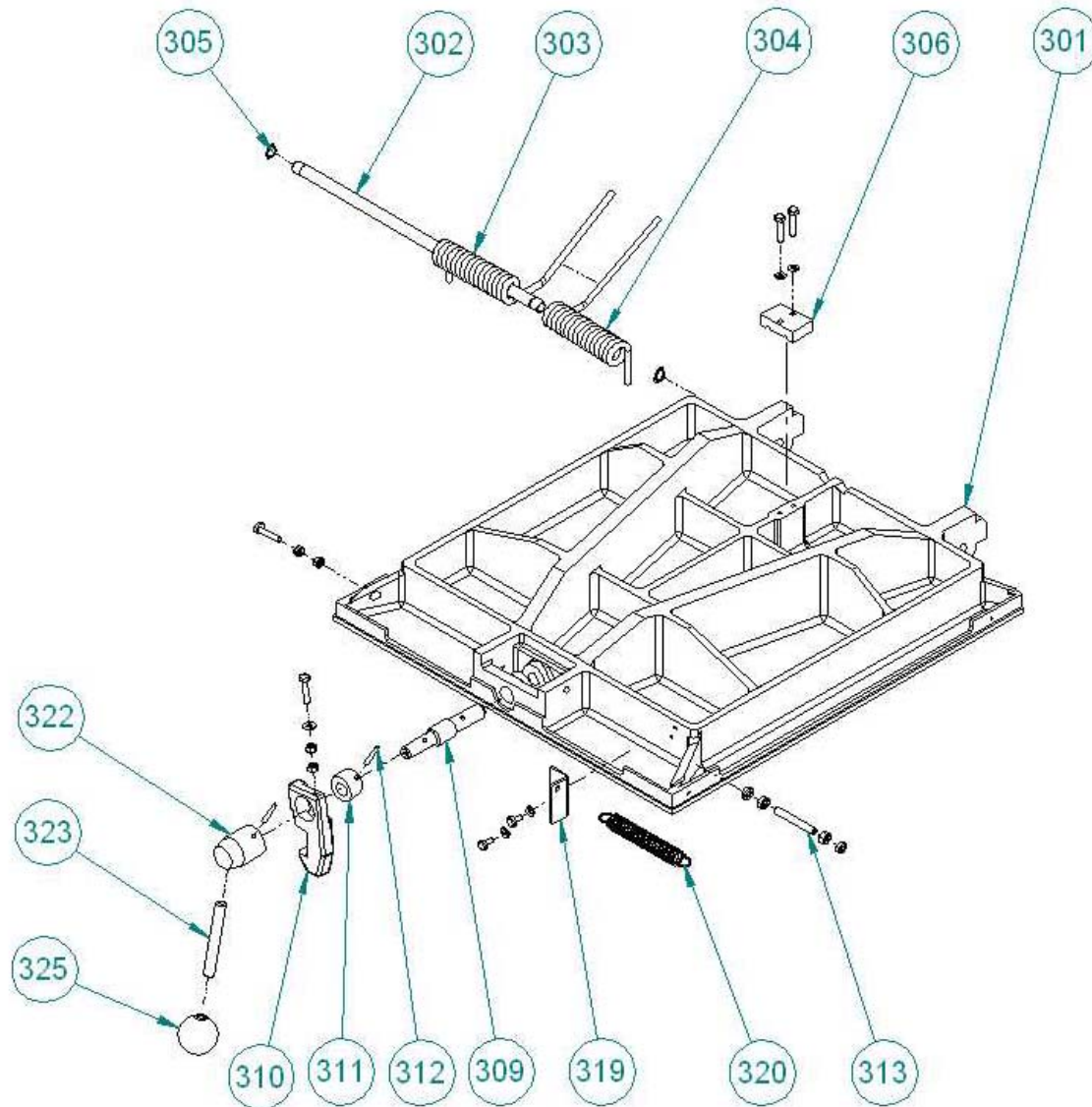


Oliver Packaging & Equipment Company
511 Sixth Street NW • Grand Rapids, MI 49504

(800) 253-3893
www.oliverquality.com

619-MDP DOUGH PRESS

LID ASSEMBLY





Oliver Packaging & Equipment Company
511 Sixth Street NW • Grand Rapids, MI 49504

(800) 253-3893
www.oliverquality.com

LID ASSEMBLY PARTS LIST

ITEM NO	PART DESCRIPTION	PART NUMBER
301	Lid-Square Hopper	0620-0018-001
302	Pin-Hinge	0620-0033
303	Spring-RH Torsion	7030-0023
304	Spring-LH Torsion	7030-0024
305	Ring-Retaining	5840-1127
306	Clamp-Spring	0620-0034
309	Shaft-Handle	0620-0036
310	Hook-Locking	0620-0017-3
311	Cam-Latch	0620-0037-1
312	Pin-Coiled	5835-7636
313	Screw-Socket Set (Oval Point)	5842-6479
319	Bracket-Spring	0620-0035
320	Spring-Extension	7024-6101
322	Hub	0619-0019-002
323	Rod-Handle	0619-0018-002
325	Knob	5911-7003

FOR SERVICE PARTS CALL OLIVER PRODUCTS @ 800-253-3893

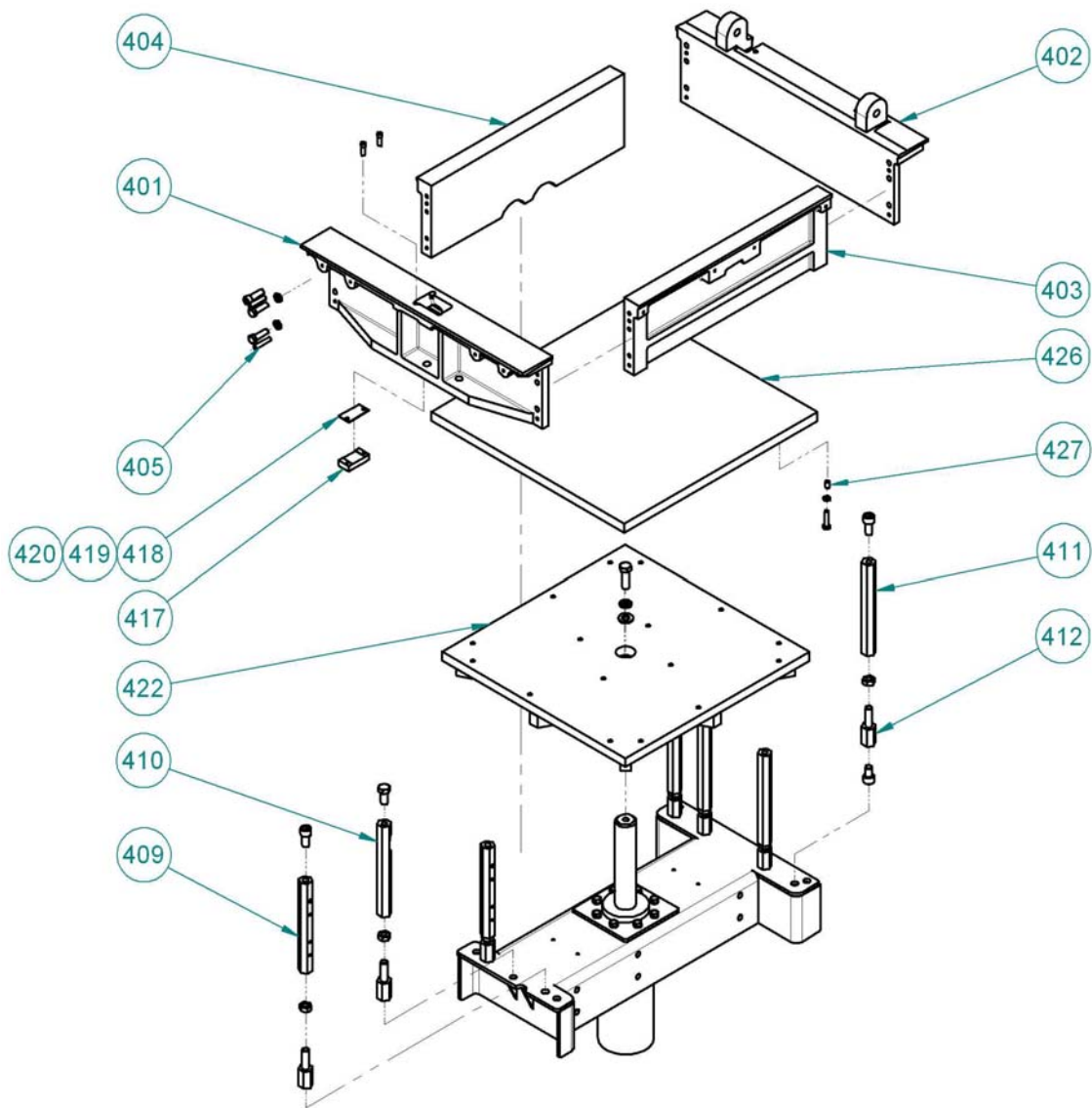


Oliver Packaging & Equipment Company
511 Sixth Street NW • Grand Rapids, MI 49504

(800) 253-3893
www.oliverquality.com

619-MDP DOUGH PRESS

PUSHER ASSEMBLY





Oliver Packaging & Equipment Company
511 Sixth Street NW • Grand Rapids, MI 49504

(800) 253-3893
www.oliverquality.com

PUSHER ASSEMBLY PARTS LIST

<u>ITEM NO</u>	<u>PART DESCRIPTION</u>	<u>PART NUMBER</u>
401	Plate-Hopper Front	0620-0059
402	Plate-Hopper Rear	0620-0060
403	Plate-Hopper Side	0620-0061
404	Plate-Hopper Side W/Relief	0620-0061-001
405	Pin-Dowel	5835-6266
409	Brace-Front Upper Adj. W/Holes	0620-0002-005
410	Brace-Front Upper Center Adj.	0620-0003-003
411	Brace-Upper Adj.	0620-0063-002
412	Hex Adjustable	0619-0026-001
417	Catch	0620-0067-1
418	Shim-(.030)	0619-0029-001
419	Shim-(.048)	0619-0029-002
420	Shim-(.060)	0619-0029-003
422	Plate-Backing	0620-0076
426	Plate Pressing	0620-0077
427	Insert-Threaded	5822-2030

FOR SERVICE PARTS CALL OLIVER PRODUCTS @ 800-253-3893

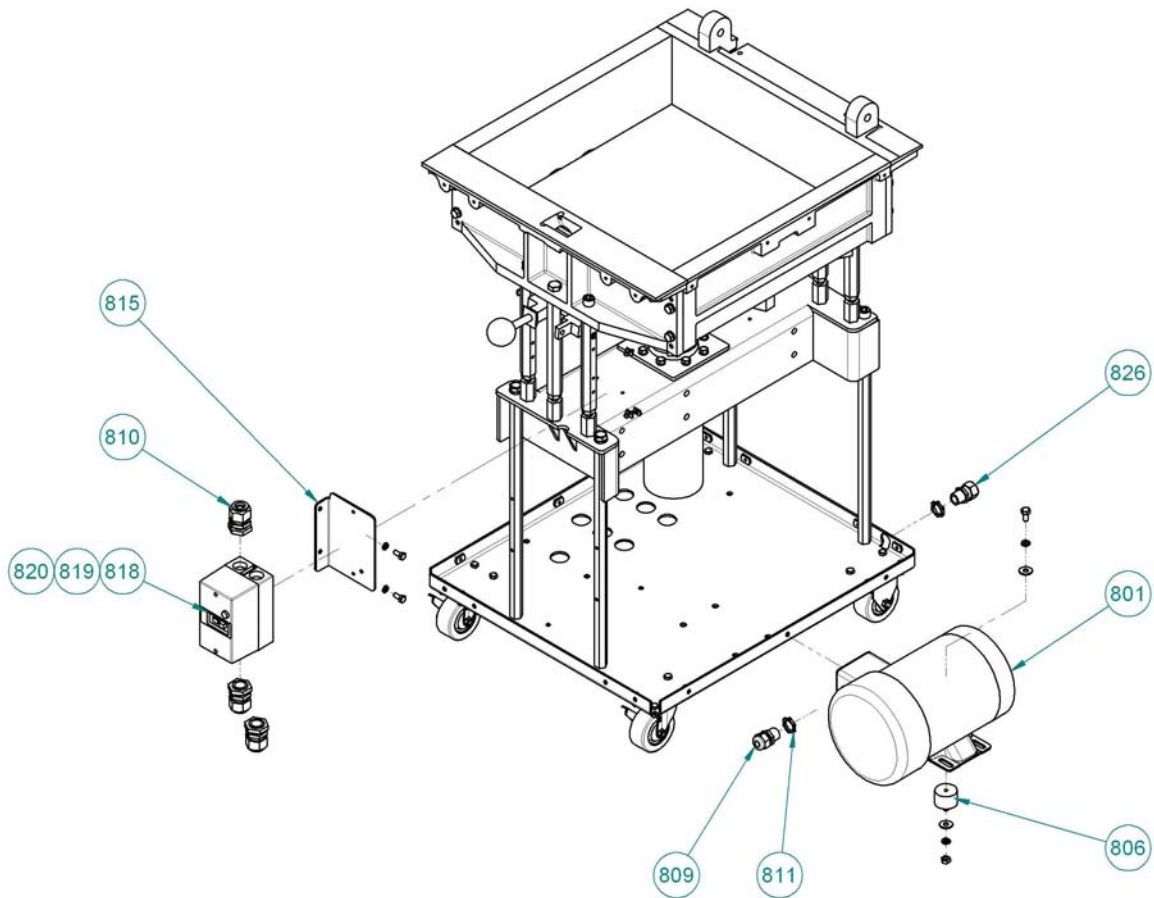


Oliver Packaging & Equipment Company
511 Sixth Street NW • Grand Rapids, MI 49504

(800) 253-3893
www.oliverquality.com

619-MDP DOUGH PRESS

ELECTRICAL ASSEMBLY





Oliver Packaging & Equipment Company
511 Sixth Street NW • Grand Rapids, MI 49504

(800) 253-3893
www.oliverquality.com

ELECTRICAL ASSEMBLY PARTS LIST

<u>ITEM NO</u>	<u>PART DESCRIPTION</u>	<u>PART NUMBER</u>
801	Motor-2 HP (3-60-208/230/460)	6303-6613
801	Motor-2 HP (1-60-230)	6303-6725
806	Shockmount	5918-6636
809	Strain Relief-Motor	5765-1082
810	Strain Relief-Starter	5765-1124
811	Nut-Lock	5766-7750
815	Bracket-Starter	0620-0042-1
818	Light-Pilot	5709-0191
819	Starter Manual 3-60-230	5709-3041
819	Starter Manual 3-60-208	5709-3042
819	Starter Manual 3-60-460	5709-3040
819	Starter Manual 1-60-230	5709-3043
820	Enclosure-Starter	5709-9924
826	Strain Relief-Power Cord	5770-4818

Items Not Shown on Drawing

808	Cord-Motor (3-60-208/230)	0620-0073
808	Cord-Motor (3-60-460)	0620-0071-001
808	Cord-Motor (1-60-230)	0620-0038
825	Cord-Power (3-60-208/230)	0643-0033-001
825	Cord-Power (3-60-460)	0620-0105
825	Cord-Power (1-60-230)	0620-0039
827	Cord-Pressure Switch	0619-0042
828	Cap-Plug (1-60-230)	5765-2030

* For other Electrics consult factory

FOR SERVICE PARTS CALL OLIVER PRODUCTS @ 800-253-3893