



1908 Automated Packaging System

Key Features:

- Efficient, intermittent-motion sealing 5 - 34 packages/minute.
- Adjustable sealing dwell time and sealing platen force.
- Uses straight slit film, unprinted or random repeat printed.
- Simple to operate; easy to cross-train employees.
- Easy to clean.
- Constructed of stainless steel and anodized aluminum.
- Supported by nationwide service organization.



Specifications:

- Weight: 300 lbs.
- Overall dimensions: W 23" x L78" x H47"
- Loading station = 3 - three compartment trays
- Maximum tray dimensions: 8.5" W x 6.5" L
- Maximum tray depth: 3.25"
- Electrical: 120 volts AC (USA) 8 AMPS, 60 Hz (USA)
- Air Compressor: 115 volts AC (USA), 15 AMPS, 60Hz (USA); 85 psi
- Air Hose Length: 70 Feet
- Air Hose id: .38"

U.S. Patent #5,791,120, Other U.S. & Foreign Patents Pending

Mylar® is a registered trademark of Dupont Teijin Films for its polyester film. Only DuPont Teijin Films makes Mylar®.

Manufactured in the U.S.A.



Oliver Packaging & Equipment Company
511 Sixth Street NW • Grand Rapids, MI 49504
(800) 253-3893 • (616) 356-2950 • www.oliverquality.com

Packaging - Processing
Bid on Equipment
1-847-854-8577
www.bid-on-equipment.com



Model 1908

Automated Packaging System

SPECIFICATIONS:

Weight:

300 lbs.

Tray Capacities:

8.5" (216mm) x 6.5" (165mm)

Film Lidding cut-off" 7" or 3.5"

3.25" (82.5mm) depth

Custom tray carrier tooling available to match your trays.

Temperature Range:

Factory set to approximately 275Degrees F

Dimensions:

22.50" overall width

78" overall length

47.25" overall height

Electrics

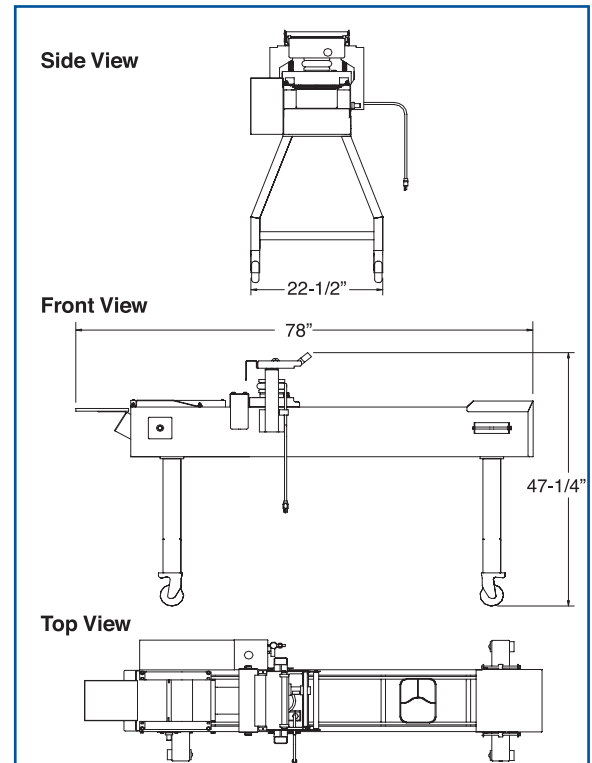
120 VAC (USA) 8 AMPS Single Phase, 60 Hz.

Air Compressor:

115 volts AC (USA), 15 AMPS, 60 Hz(USA); 85 psi

Air Requirements:

6 CFM @ 80 PSI



Manufactured under the following:
U.S. Patent # 5,791,120
Other U.S. and foreign patents pending

The information contained herein is correct to the best of our knowledge. The recommendations or suggestions are made without guarantee or representation as to results. Freedom from any patent owned by Oliver Packaging and Equipment or other is not to be inferred.

Above specifications subject to change without notice

Manufactured in the U.S.A.



Oliver Packaging & Equipment Company
511 Sixth Street NW • Grand Rapids, MI 49504
(800) 253-3893 • (616) 356-2950 • www.oliverquality.com

**Packaging - Processing
Bid on Equipment**

1-847-854-8577

www.bid-on-equipment.com