



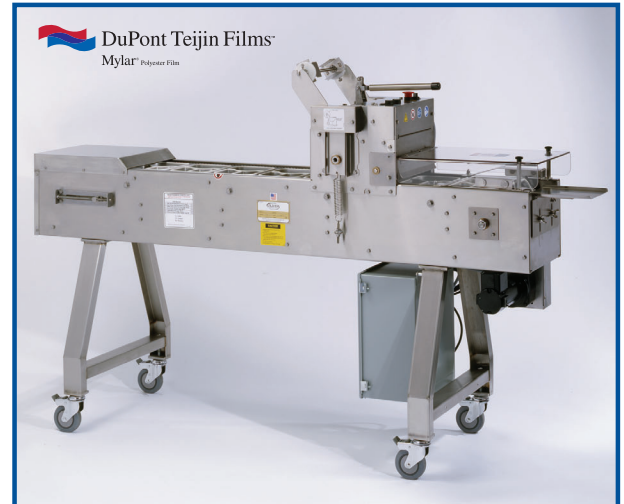
1808 CE Automated Packaging System

Key Features:

- Constructed of stainless steel and aluminum
- Automatic discharge
- Adjustable discharge shelf with Lexan® safety guard
- Rotary motion sealing up to 35 packages/minute
- Continuous motion of the conveying system
- Removable tray carriers constructed of aluminum
- Supported by nationwide service organization

Specifications:

- Weight: 340 lbs.
- Overall Dimensions: 83"L x 56"H x 27"W
- Maximum tray width: 8.5"
- Tray cut-off sizes available from 3.5" to 10" in .5" increments
- Maximum tray depth: 3.25"
- Maximum roll diameter: 9"
- Infeed Length: approximately 28"
- Electrical: 220-240 volts AC, 10 amps, 50-60Hz, 1 phase or 208 volts, 10 amps, 50-60hz 1phase



U.S. Patent #5,791,120

Mylar® is a registered trademark of Dupont Teijin Films for its polyester film. Only DuPont Teijin Films makes Mylar®.

Manufactured in the U.S.A.



Oliver Packaging & Equipment Company
511 Sixth Street NW • Grand Rapids, MI 49504
(800) 253-3893 • (616) 356-2950 • www.oliverquality.com

Packaging - Processing
Bid on Equipment
1-847-854-8577
www.bid-on-equipment.com



Automated Packaging System

SPECIFICATIONS:

Tray Capacities:

8.5" (216mm) x 10" (254mm)

3.25" (82.5mm) depth

Custom tray carrier tooling available to match your trays

Temperature Range:

Factory set to approximately 350 Degrees F

Dimensions:

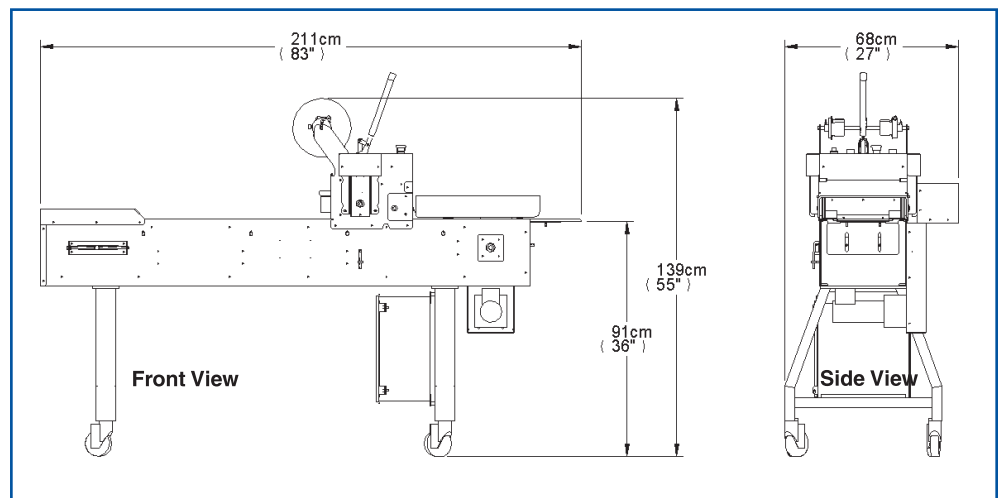
27" overall width

83" overall length

56" overall height

Electrics:

208/240 VAC (USA) 10 AMPS Single Phase, 60 Hz.



Manufactured under the following:
U.S. Patent # 5,791,120

The information contained herein is correct to the best of our knowledge. The recommendations or suggestions are made without guarantee or representation as to results. Freedom from any patent owned by Oliver Packaging and Equipment or other is not to be inferred.

Above specifications subject to change without notice

Manufactured in the U.S.A.



Oliver Packaging & Equipment Company
511 Sixth Street NW • Grand Rapids, MI 49504
(800) 253-3893 • (616) 356-2950 • www.oliverquality.com

**Packaging - Processing
Bid on Equipment**

1-847-854-8577

www.bid-on-equipment.com