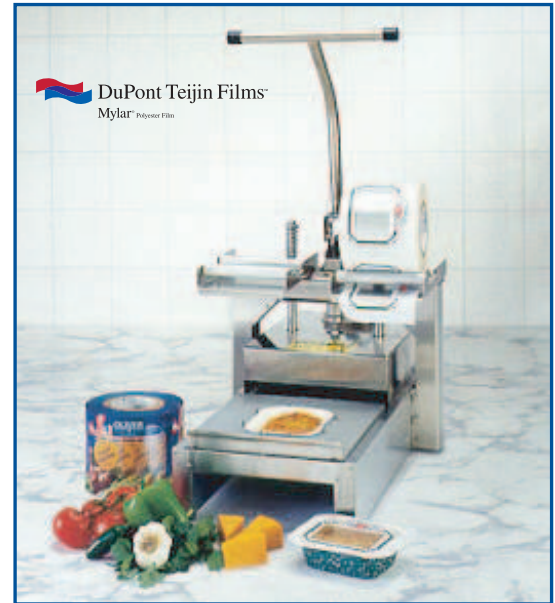




Manual Tray Lidder

Key Features:

- Medium capacity heat-seal tray lidder designed for use with heat-seal coated, printed or unprinted, Mylar® film lids.
- For use with flat-flanged paperboard or plastic.
- Complete heat-seal control of time, temperature, and pressure.
- Auto-seal with manual-eject.
- Stainless steel and anodized aluminum construction.
- Integrated dual lidding dispenser.
- Countertop size for limited space applications.
- Optional, stainless steel work stand with NSF casters.
- Interchangeable tray carriers for trays up to 9" x 10.75" x 3.5" deep.
- Additional tray sizes may be compatible; please contact your Account Manager.



Benefits:

- Improves merchandising, creates your own "brand", sells more product.
- Lowers packaging costs (film lidding vs snap-cover domes.)
- Improves package performance, leak-resistant, microwavable/ovenable.
- Provides a tamper-evident seal.
- Flexible, quick five second tray carrier change-over to various sizes.
- Easy cleaning and high durability for continued use in food preparation environment.

U.S. Patent # 5,791,120

Mylar® is a registered trademark of Dupont Teijin Films for its polyester film. Only DuPont Teijin Films makes Mylar®.

Manufactured in the U.S.A.



Oliver Packaging & Equipment Company
511 Sixth Street NW • Grand Rapids, MI 49504
(800) 253-3893 • (616) 356-2950 • www.oliverquality.com

Packaging - Processing
Bid on Equipment
1-847-854-8577
www.bid-on-equipment.com



Manual Tray Lidder

SPECIFICATIONS:

Tray Capacities:

- 9" x 10.75" maximum top-outside dimension tray;
- 3.5" maximum tray depth.
- Custom tray carrier tooling available to match your trays.

Temperature Range:

- 50° F (10° C) to 300° F (149° C)

Dimensions:

- 15.75" (400mm) overall width (front)
- 25.5" (648mm) overall depth
- 13.75" (349mm) overall height
- 29" (737mm) overall height with handle

Weight:

- 57 pounds (25.9 Kg)

Electrics:

- 110 or 220 VAC, 8 AMPS, single phase, 50/60 Hz

Dual Lidding Dispenser:

- For roll lidding, pre-die-cut and connected by tear-away perforation.

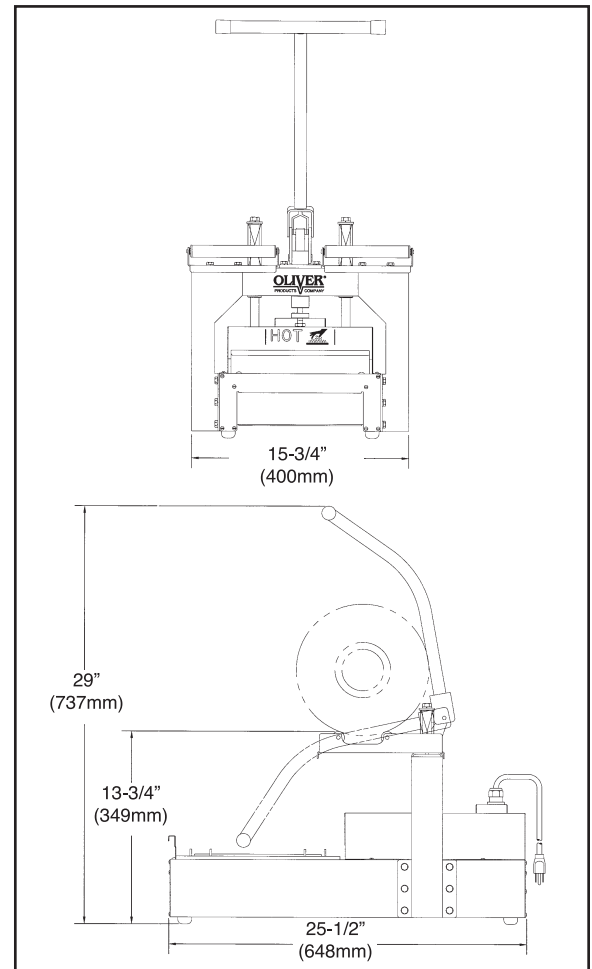
Roll capacities:

- 9.5" maximum outside-diameter roll,
- 9" maximum width roll (lidding available from Oliver Packaging & Equipment Company)

OPTIONAL ACCESSORIES:

Workstation Stand:

- 36" stainless steel workstation stand with casters and side tables.



The information contained herein is correct to the best of our knowledge. The recommendations or suggestions are made without guarantee or representation as to results. Freedom from any patent owned by Oliver Packaging and Equipment or other is not to be inferred.

Above specifications subject to change without notice

Manufactured in the U.S.A.



Oliver Packaging & Equipment Company
511 Sixth Street NW • Grand Rapids, MI 49504
(800) 253-3893 • (616) 356-2950 • www.oliverquality.com

Packaging - Processing
Bid on Equipment
1-847-854-8577
www.bid-on-equipment.com