

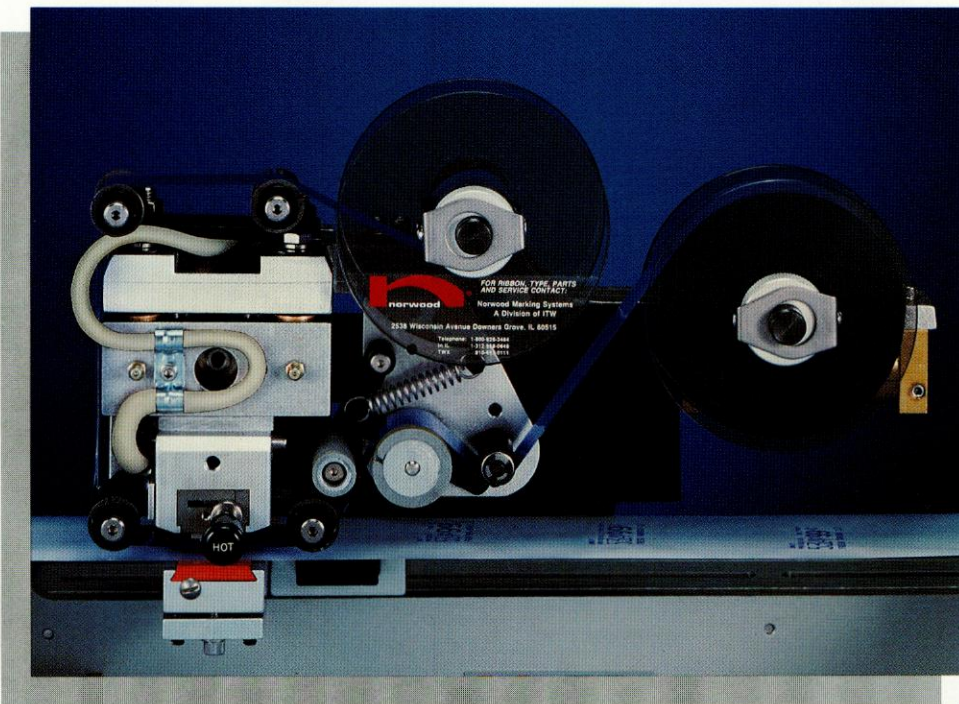
HOT STAMPING



Hot stamping provides the highest quality imprinting available and these versatile systems are industry standards.

NORWOOD Hot Stamp Equipment Benefits:

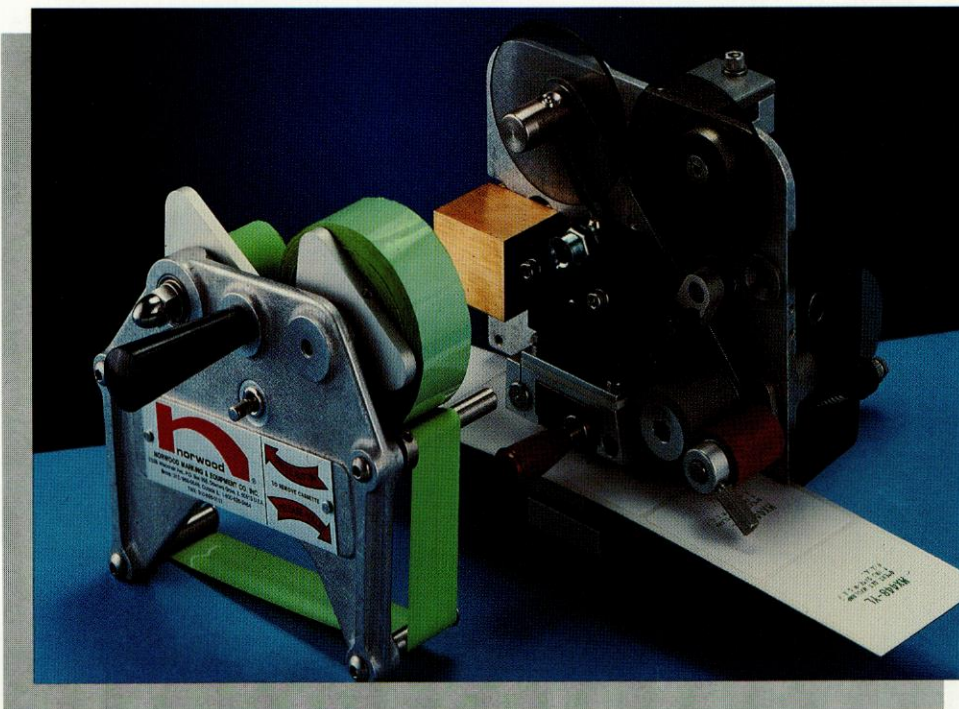
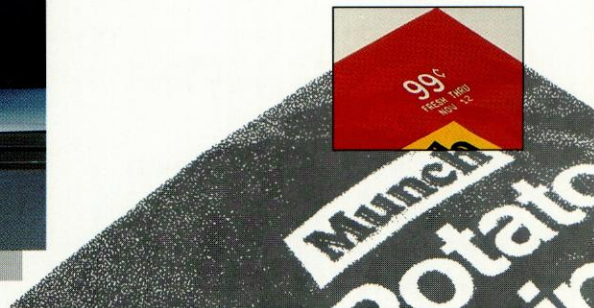
- Smooth, reliable, quiet operation—cam-action, pneumatically powered
- Easy installation and mounting—various models and custom interface brackets available to meet your application
- Consistent quality ribbon, type and parts—NORWOOD manufactures and stocks to ensure prompt delivery
- Economical . . . pennies per thousand imprints.
- Equipment can be used in-line with packaging and conveying equipment or off-line for manual and semi-automatic operations



VAK Series

Intermittent-motion hot stamp imprinters for use on vertical form-fill-seal, blisterpack, converting, thermoforming, cartoning, and custom packaging lines.

- Imprints scannable UPC codes, lot numbers, prices, expiration dates and more.
- Dual color imprinting available.
- Versatile—Imprints on many substrates (rigid, semi-rigid materials and products, flexible films, labels, etc.)



Model 812

Compact cassette system, intermittent-motion high speed hot stamp imprinter. Ideal for variable information on small imprinting areas such as pressure-sensitive labels, flexible packaging materials and products.

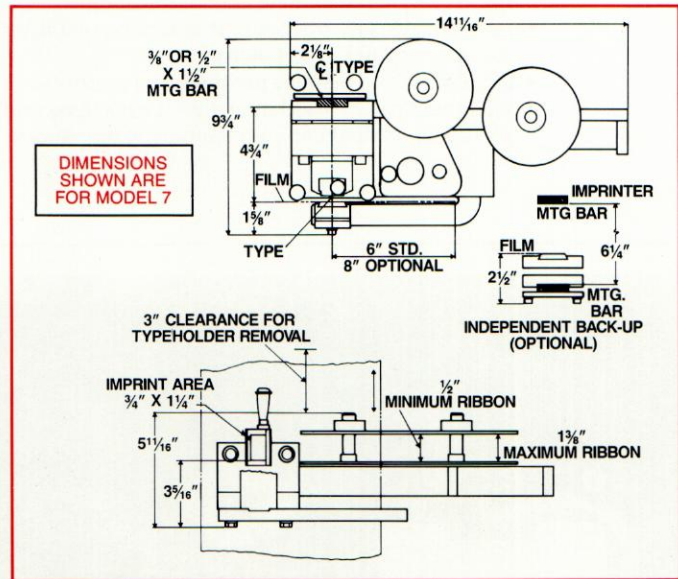
- Cassette allows ribbon change in seconds.
- Built-in sensor signals ribbon run out.
- Compact size allows mounting in small area location.
- Hi-speed kit allows imprints up to 400 per minute.
- The choice for label applying machinery.





VAK Series	Model 7	Model 15	Model 20
Imprint Size	¾" x 1¼"	2" x 2"	2" x 2"
Speeds (imprints per minute)	Up to 200	Up to 150	Up to 90
Dimensions WxHxD	15" x 10" x 6"	15" x 10" x 8"	21" x 8½" x 7"
Weight	14 Lbs.	16 Lbs.	17 Lbs.
Air	40–50 PSI	40–50 PSI	40–80 PSI
Electrical Standard*	110V AC, 60Hz, 2A	110V AC, 60Hz, 3A	110V, AC, 60Hz, 3A Dual color imprinting
Metric Equivalent (in millimeters)			
Imprint Size	19.05 x 31.75	50.8 x 50.8	50.8 x 50.8
Dimensions	381 x 254 x 152.4	381 x 254 x 203.2	533.4 x 215.9 x 177.8

* Other Voltages Available

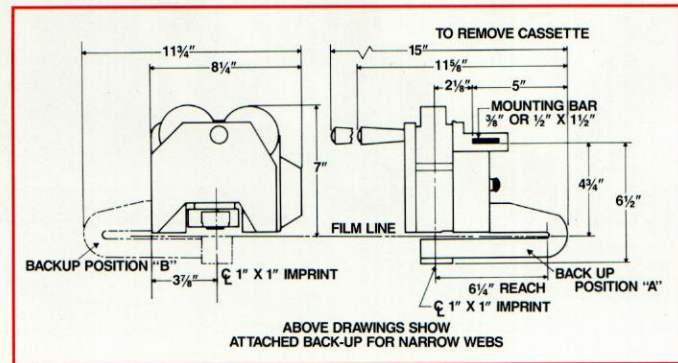


Model 812

Imprint Size—1" x 1"
Speeds (imprints per minute)—Up to 400 w/High Speed Option (consult Norwood for higher speeds)
Dimensions (WxHxD)—9" x 9" x 4½"
Weight—9 Lbs.
Air—40–50 PSI
Electrical Standard*—110V AC, 60Hz, 2A
Metric Equivalent (in millimeters)
Imprint Size—25.4 x 25.4
Dimensions—228.6 x 228.6 x 114.3

Cassette loading for fast, easy change!
With lightweight cassette, change of ribbon size or ribbon color takes less than 5 seconds! When ribbon roll is depleted, simply remove cassette and snap on a pre-loaded spare.

* Other Voltages Available



	VAK Series	Model 812
Mounting	Custom interface brackets for most machines	Custom interface brackets for most machines
Actuation	Air cylinder	Air cylinder
Timing	Parent packaging machine	Parent packaging machine
Ribbon	Reels accommodate up to 1000' rolls	Reel accommodates up to 600' rolls
Type	Individual pieces and logos (multiple characters on one piece) Hardened steel type Silicone type Polymer Type	Individual pieces and logos (multiple characters on one piece) Hardened steel type Silicone type Polymer Type

OPTIONS

Fluidic Sensor (Standard on Model 812)—End of ribbon/foil indicator ensures all packages/products receive an imprint.
Temperature Controller—Displays printhead temperature and provides easy adjustments to ensure temperature is correct for printing on various substrates.
Type Preheater—Ensures production uptime. Heats spare typeholder so it is ready to use when imprint information changes.
Spare Parts Kit—Ensures production uptime by having back-up parts and accessories on hand.
Platform—(for off-line manual operations)—Ideal for short runs and custom imprinting of parts and packages. Operated manually by hand or foot switch.
Consecutive Numbering Head—Allows consecutive numbering automatically.
Custom brackets available.