

e.dot+™ Electric Guns



Compact electric guns precisely dispense small dots or beads of hot melt adhesive at high speeds.

Nordson e.dot+ electric guns:

- Deliver accurate dot or bead placement
- Require minimal space for installation and service
- Install quickly and easily
- Operate quietly

Fast-acting coil delivers small dots/beads at fast line speeds

Reduced cavity nozzle dispenses consistent dots/beads at varying line speeds



Integrated Saturn® filter removes contaminants from adhesive flow path

Quick-disconnect cordset simplifies installation

All-electric e.dot+ guns provide precise, high-speed dot or bead placement, quiet operation, a long service life and compact size.

Easy to install e.dot+ guns operate in combination with a specially-designed small diameter hose and an external gun driver, allowing direct *plug and play* connections between the adhesive melter, gun, driver and hose. Nordson e.dot+ guns have on-times as low as 0.4 ms and cycle rates as fast as 1.8 ms*, and a service life in excess of 200 million cycles.

The ball and nozzle/seal design provides excellent repeatability, pattern control and consistency, delivering superior dot patterns and minimizing adhesive stringing or tailing. The e.dot+ gun features a removable armature and seat and interchangeable nozzles, allowing for easy maintenance. Manual stroke adjustment allows for re-zeroing of the module after servicing. The e.dot+ module coil connector allows fast module exchange.

The all-electric design of the e.dot+ gun eliminates the need for compressed operating air, dynamic seals and frequent module maintenance. An integrated Saturn filter simplifies maintenance and is necessary for clean operation.

* Dependent on adhesive viscosity

Specifications

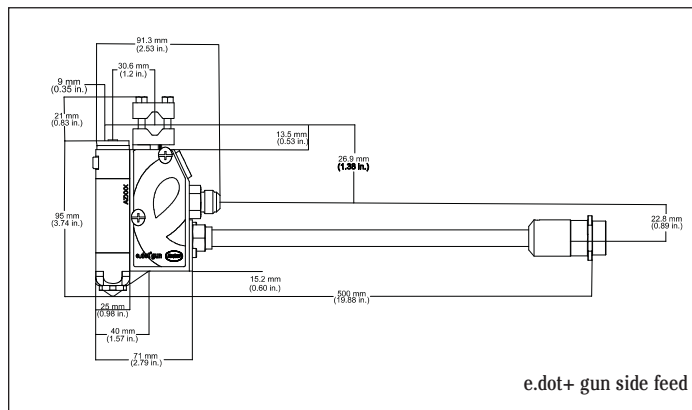
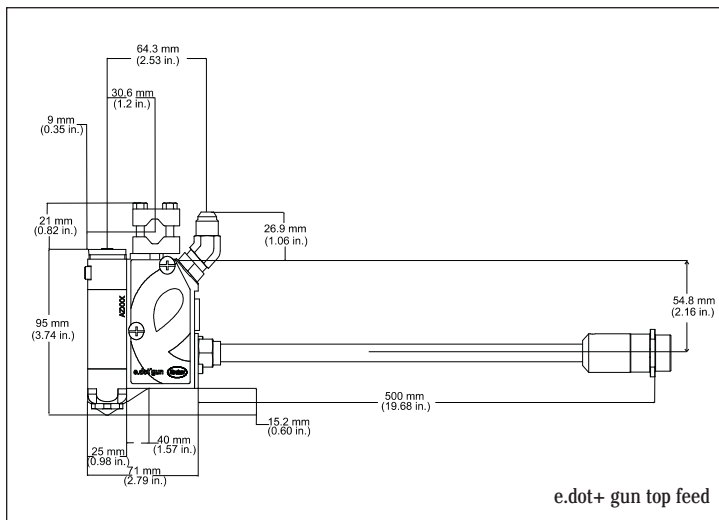
Maximum Hydraulic Pressure 10,000 kPa (100 bars/1450 psi)
Maximum Operating Pressure 4800 kPa (48 bars/700 psi)
Working Viscosity 1000 cps, max 5000 cps
Cycle Speed 1.8 ms*
Electrical Connections Quick-disconnect

Operating Temperature 365° F (185° C),
 max 392° F (200° C)**
Electrical Requirements See gun driver specifications
Heating Method Cartridge heater
Integrated Saturn Filter 200 mesh

* minimum on-time 0.4 ms viscosity dependent; use e.dot+ application guide.
 ** dependent on pattern; use e.dot+ application guide.

Gun Driver Specifications

	LogiComm® Control System	LogiComm OEM Gun Driver Board	LogiComm Gun Driver	e driver Single Box
Capacity	4/8 channels per board	4 channels per board	4/8 channels per board	1 channel
Electrical Service	100-240 VAC, 50/60 Hz	110-230 VAC, 50/60 Hz; 24 VDC	100-240 VAC, 50/60 Hz	170 to 264 VAC, 50/60 H
Maximum Gun Power Capacity	160 Watts	110 Watts	160 Watts total	95 Watts
Input Line Fuses	3 Amps	2 Amps	3 Amps	2 Amps
Trigger Source Options	NPN or PNP (24 VDC sink/source)	24 VDC	NPN or PNP	24 VDC and 5 VDC
Enclosure Rating	IP-30	IP-20	IP-X4 terminal block version IP-30 connector version	IP-20



For more information, talk with your Nordson representative or contact your Nordson regional office.

United States
 Duluth, Georgia
 Telephone: (800) 683-2314
 Toll-free Facsimile:
 (866) 667-3329

Canada
 Markham, Ontario
 Telephone: (800) 463-3200
 Facsimile: (905) 475-8821

Europe
 Lüneburg, Germany
 Telephone: (49) 4131-894-0
 Facsimile: (49) 4131-894-149

Japan
 Tokyo, Japan
 Telephone: (81) 3-5762-2700
 Facsimile: (81) 3-5762-2701

**Asia/Australia/
 Latin America**
 Amherst, Ohio
 Telephone: (440) 985-4797
 Facsimile: (440) 985-1096

www.nordson.com



When you expect more.®

Nordson Corporation • 11475 Lakefield Drive • Duluth, Georgia 30097-1511

© 2003, 2008 Nordson Corporation
 All Rights Reserved.
 Nordson reserves the right
 to make design changes between printings.

Packaging - Processing
Bid on Equipment
 1-847-683-7720
www.bid-on-equipment.com