

WM 801 Adhesive Dispensing Electric Gun



High-cycling electric guns maximize flexibility and performance in high-speed, intermittent cold adhesive applications.



Nordson WM 801 electric guns combine flexibility and durability to meet a wide range of application needs. A choice of gun styles makes WM 801 guns ideal for high-speed contact or non-contact applications, including bag and sack, envelope, folding carton, cigarette manufacturing, high-end corrugated and packaging.

A single-piece armature assembly and an efficient coil design permit fast, repeatable adhesive deposition with clean, accurate cutoff. The compact guns deliver high-performance in contact or non-contact operation with a cycle time of 3.0 milliseconds and a minimum service life of 500 million cycles.

WM 801P guns use attached pattern plates to deliver precise registration without adhesive skinning or streaking. Nordson pattern plate technology uses flow dynamics to provide sharp cutoff, even at changing line speeds. Configurable pattern plates offer deposition flexibility to meet specific application requirements.

The WM 801Q version allows quick changeovers with interchangeable contact nozzles and pattern plates or non-contact bead nozzles. The lightweight, vertical gun bracket complements product changeover via a pivoting, removable mounting plate that improves gun accessibility and positioning.

Advanced design maximizes control and productivity.

- **Quick cycle rate** optimizes high-speed production performance.
- **Single-piece armature assembly** delivers repeatable adhesive deposition with clean, accurate cutoff in intermittent applications.
- **Short-engagement, non-contact bead nozzles** improve cutoff in WM 801Q gun applications.
- **Configurable pattern plates** provide deposition flexibility.
- **Absence of dynamic seals** reduces downtime and maintenance.
- **Corrosion-resistant and stainless-steel parts** provide durability and help prolong gun life.

WM 801 Adhesive Dispensing Electric Gun



The quick-change WM 801Q gun with configurable pattern plates offers deposition flexibility to meet specific application needs.



New short-engagement, non-contact bead nozzles provide good cutoff and are made of corrosion-resistant stainless steel.

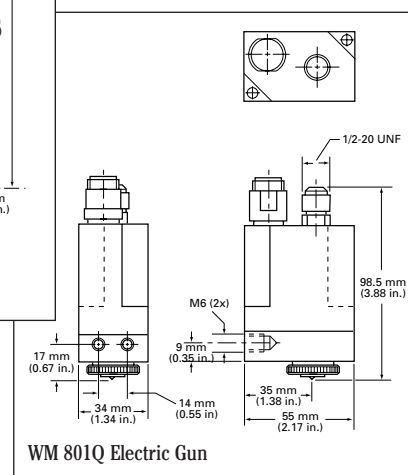
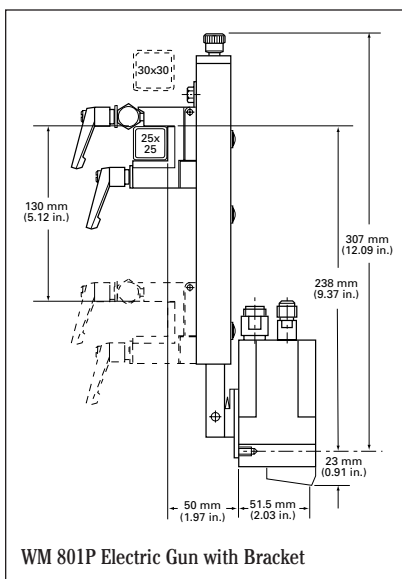


Wide selection of nozzles and configurable pattern plates satisfies simple to complex deposition requirements.

Specifications

Maximum Hydraulic Pressure	48 bar (706 psi)
Minimum Cycle Time¹	3.0 ms
Nozzle Diameter Range²	
Contact	0.3 to 1.0 mm (0.012 to 0.039 in.)
Non-contact	0.3 to 0.7 mm (0.012 to 0.028 in.)
Pattern Plate Sizes^{2, 3}	45 x 34 mm (1.77 x 1.34 in.) 45 x 45 mm (1.77 x 1.77 in.) 45 x 60 mm (1.77 x 2.36 in.)
Pattern Plate Hole Diameters	0.5 mm (0.020 in.) 0.7 mm (0.028 in.) 1.0 mm (0.039 in.)
Connection Fitting	1/2-20 UNF
Electrical Service⁴	Check with Nordson electric gun driver for proper setting
Weight	0.56 kg (1.22 lb)

Dimensions



Notes:
¹ Cycle time based on an adhesive viscosity of 900 centipoise. Actual cycle time will vary depending on adhesive viscosity and characteristics.
² Specify and purchase nozzles and pattern plates separately.
³ Pattern plates are a configurable product. Widths shown represent standard sizes only, custom sizes are available to meet specific application parameters.
⁴ Use with Nordson gun driver products.

For more information, talk with your Nordson representative or contact your Nordson regional office.

United States
 Duluth, Georgia
 Telephone: (800) 683-2314
 Toll-free Facsimile:
 (866) 667-3329

Canada
 Markham, Ontario
 Telephone: (800) 463-3200
 Facsimile: (905) 475-8821

Europe
 Udenhout, The Netherlands
 Telephone: (31) 13-511-8777
 Facsimile: (31) 13-511-3995

Japan
 Tokyo, Japan
 Telephone: (81) 3-5762-2700
 Facsimile: (81) 3-5762-2701

**Asia/Australia/
 Latin America**
 Amherst, Ohio
 Telephone: (440) 985-4797
 Facsimile: (440) 985-1096

www.nordson.com



When you expect more.[®]

Nordson Corporation • 11475 Lakefield Drive • Duluth, Georgia 30097-1511