

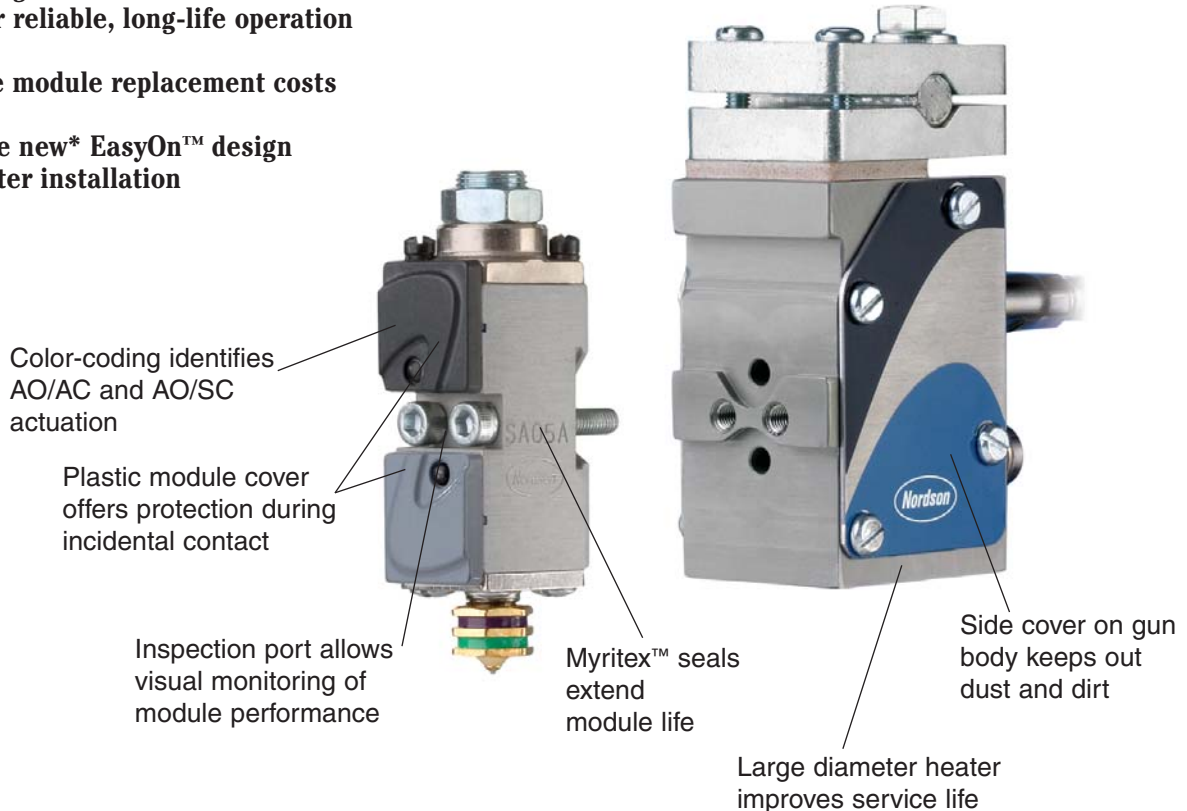
# SolidBlue™ Hot Melt Dispensing Guns



*SolidBlue guns and modules provide up to twice the industry-leading service life and reduce module replacement costs.*

**SolidBlue guns and modules:**

- Deliver reliable, long-life operation
- Reduce module replacement costs
- Feature new\* EasyOn™ design for faster installation



SolidBlue guns and modules are available in two designs. SolidBlue S guns feature air-open/spring-closed (AO/SC) and SolidBlue A guns feature air-open/air-closed (AO/AC) actuation. Both guns provide up to twice the service life of the industry standard Nordson H-200 series guns.

Gun modules are fully rebuildable and key gun body components are easily accessible for easier, faster maintenance. All single and multi-module guns are built from the same gun body platform for greater application flexibility and system compatibility. The new Best Choice™ configurator allows you to quickly and easily determine the right gun body for your application, minimizing the need for specially engineered guns and reducing delivery time.

Unique EasyOn module mounting provides:

- Guided, one-way fit (mated module and gun body surfaces)
- Easier, safer installation (especially on gun bodies located deep within machines)
- Backward compatibility (modules fit existing Nordson gun bodies)
- Simpler design



*The EasyOn mark is your assurance of genuine Nordson quality.*

**Packaging - Processing**  
**Bid on Equipment**  
1-847-683-7720  
[www.bid-on-equipment.com](http://www.bid-on-equipment.com)

# SolidBlue™ Hot Melt Dispensing Guns



SolidBlue A guns are shipped with Nordson Saturn® solenoid valves to optimize gun performance.

## Specifications

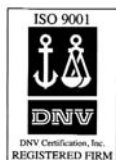
<b>Operating Temperature</b>	450° F (230° C) maximum
<b>Operating Air Pressure<sup>1</sup></b>	45 to 80 psi (3.1 to 5.5 bar)
<b>Working Hydraulic Pressure</b>	1500 psi (103 bar) maximum
<b>Operating Speed</b>	Exceeds 3500 cycles per minute
<b>Precision Nozzles<sup>2</sup></b>	Single, multi-orifice, right-angle (controlled engagements)
<b>Saturn® Solenoid Valves<sup>3</sup></b>	Nordson 24 VDC Saturn high-temperature solenoids recommended
<b>Electrical Service</b>	240 VAC, 50/60 Hz 200 VAC, 50/60 Hz optional

### Notes:

<sup>1</sup> Recommended range. Dry, regulated, unlubricated air required for consistent gun operation.

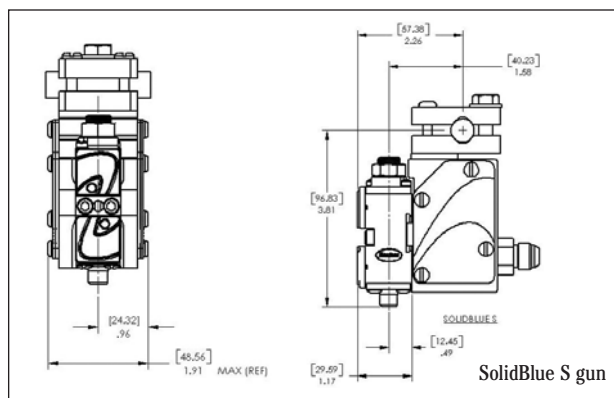
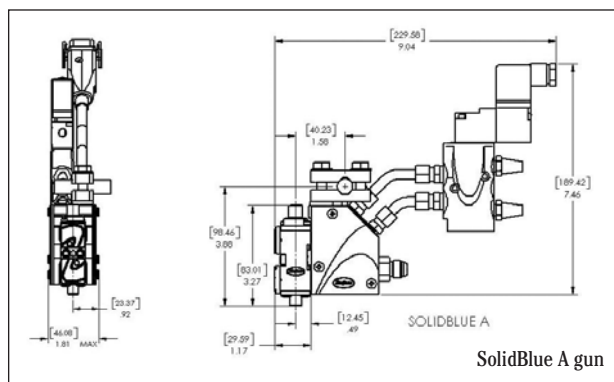
<sup>2</sup> Optional nozzle/orifice diameters and centerline spacings are available.

<sup>3</sup> Nordson specifies 24 VDC Saturn high-temperature valves for pattern accuracy and extended service life.



Color-coded plastic module covers provide easy identification of AO/AC (blue) or AO/SC (black) characteristics; gray color indicates ball/seat design.

## Dimensions



For more information, talk with your Nordson representative or contact your Nordson regional office.

**United States**  
Duluth, Georgia  
Telephone: (800) 683-2314  
Toll-free Facsimile:  
(866) 667-3329

**Canada**  
Markham, Ontario  
Telephone: (800) 463-3200  
Facsimile: (905) 475-8821

**Europe**  
Lüneburg, Germany  
Telephone: (49) 4131-894-0  
Facsimile: (49) 4131-894-149

**Japan**  
Tokyo, Japan  
Telephone: (81) 3-5762-2700  
Facsimile: (81) 3-5762-2701

**Asia/Australia/  
Latin America**  
Amherst, Ohio  
Telephone: (440) 985-4797  
Facsimile: (440) 985-1096

[www.nordson.com](http://www.nordson.com)



When you expect more.®

Nordson Corporation • 11475 Lakefield Drive • Duluth, Georgia 30097-1511

© 2005 Nordson Corporation  
All Rights Reserved.  
Nordson reserves the right  
to make design changes between printings.

**Packaging - Processing**  
**Bid on Equipment**  
1-847-683-7720  
[www.bid-on-equipment.com](http://www.bid-on-equipment.com)