

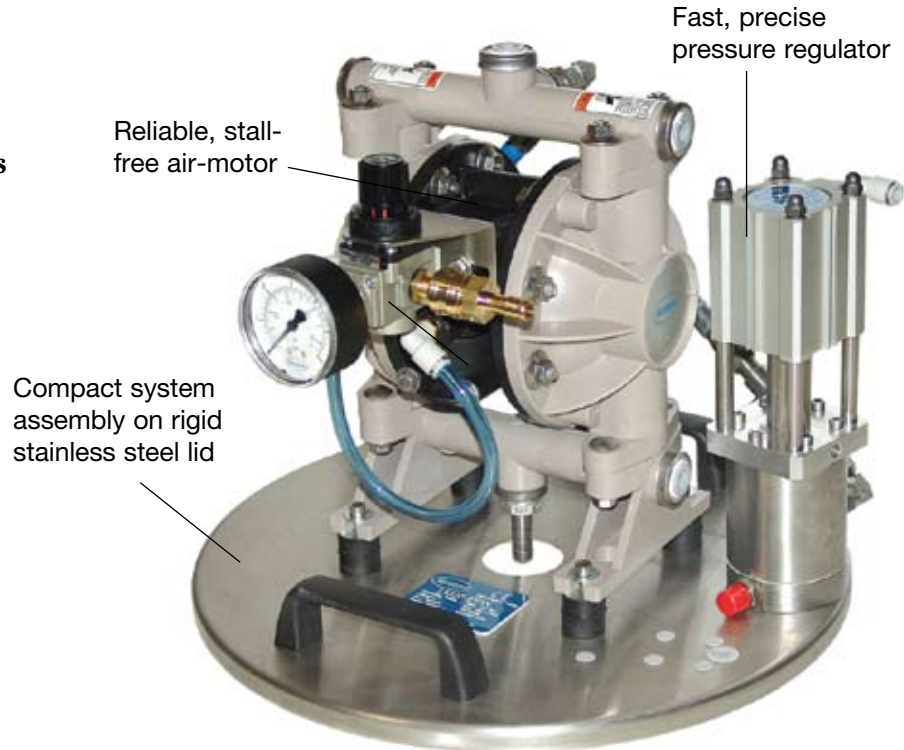


LA 320 Diaphragm Pump Systems

Efficient, reliable pump systems provide stable delivery of liquid adhesive in low pressure applications

LA 320 piston pumps are:

- Available in a variety of system configurations
- Specifically designed for liquid adhesive applications
- Non-demanding pump systems, easy to operate and to service



Nordson LA 320 diaphragm pumps are distinctly targeted to demanding low pressure liquid adhesive applications. Configurations paired with manual or controlled LA 381 pressure regulators provide constant adhesive delivery to meet specific production requirements.

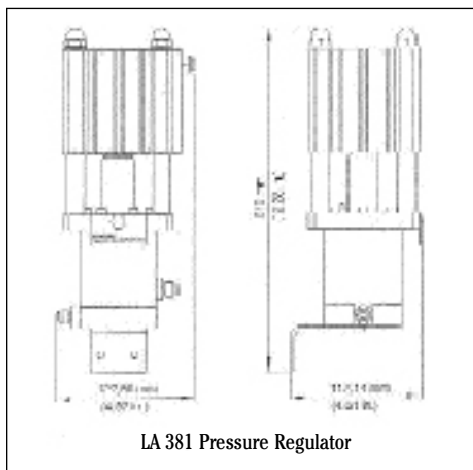
High flow rates and low pressure reduce the risk of adhesive shearing. And, a reliable, oil-free air motor runs these pumps consistently shift-after-shift even at low pressures since its smart design makes it virtually unshaltable.

Pump systems come either mounted on a rigid stainless steel lid or can be integrated into Nordson's adhesive system console. Lids are available to fit 20- or 30-liter and 5- or 55-gallon containers.

With the LA 320 pump systems, Nordson provides a cost-efficient solution for a reliable, low-pressure production process.



LA 320 Diaphragm Pump Systems



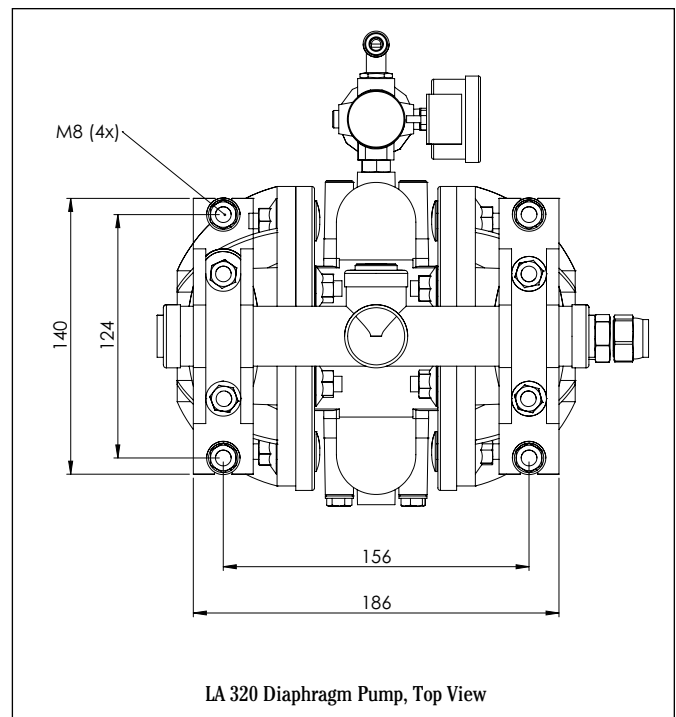
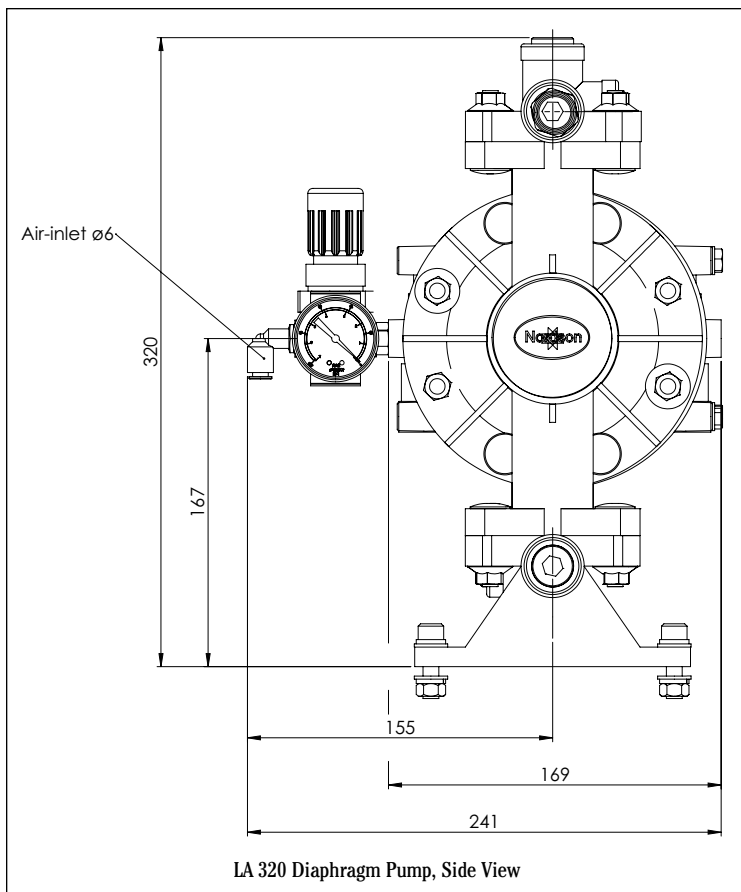
Specifications

LA 320 Diaphragm Pump

Maximum Pump Rate	49 l/min. (13 gal./min.)
Maximum Adhesive Pressure	7 bar (100 psi)
Ambient Temperature	2 to 66 °C (35 to 150 °F)
Air-to-fluid Pressure Ratio	1:1
Weight	3.3 kg (7.2 lbs.) pump only 7.0 - 10 kg (15.3 - 21.8 lbs.); depending on system configuration

LA 381 Pressure Regulator

Control Air Pressure	0 to 6 bar (0 to 85 psi)
Ambient Temperature	1 to 50° C (33 to 122° F)
Output Pressure Range	0 to 7 bar (0 to 100 psi)



For more information, talk with your Nordson representative or contact your Nordson regional office.

United States

Duluth, Georgia
Telephone: (800) 683-2314
Facsimile: (866) 667-3329

Canada

Markham, Ontario
Telephone: (800) 463-3200
Facsimile: (905) 475-8821

Europe

Udenhout, The Netherlands
Telephone: (31) 13-511-8777
Facsimile: (31) 13-511-3995

Japan

Tokyo, Japan
Telephone: (81) 3-5762-2700
Facsimile: (81) 3-5762-2701

Asia/Australia/

Latin America
Amherst, Ohio
Telephone: (440) 985-4797
Facsimile: (440) 985-1096

www.nordson.com



When you expect more.®

Nordson Corporation • 11475 Lakefield Drive • Duluth, Georgia 30097-1511

© 2009 Nordson Corporation
All Rights Reserved.
Nordson reserves the right
to make design changes between printings.

Packaging - Processing
Bid on Equipment
1-847-683-7720
www.bid-on-equipment.com