

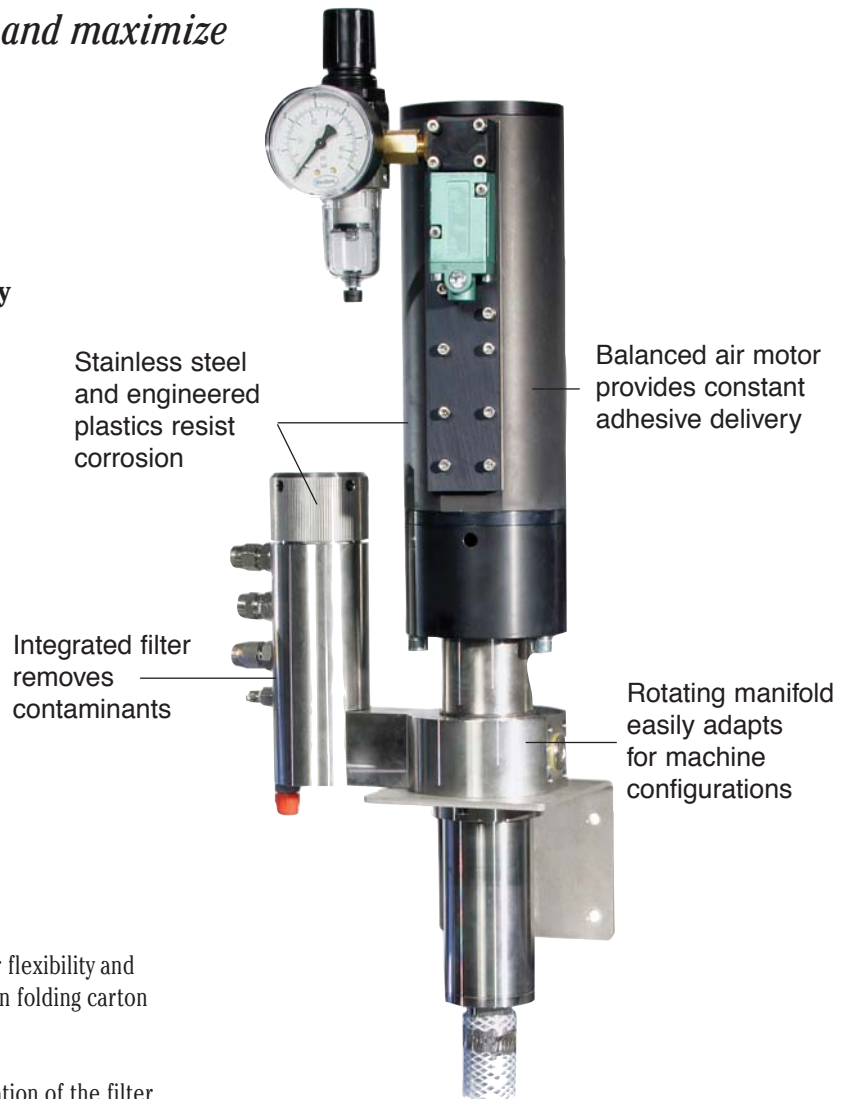


LA 300 Piston Pumps

Efficient pump systems provide consistent delivery of liquid adhesives and maximize production flexibility.

LA 300 piston pumps:

- Deliver high flow rates
- Increase manufacturing flexibility
- Offer choices of mounting configurations



Nordson LA 300 dual-acting piston pumps offer flexibility and consistent high-flow rates of liquid adhesives in folding carton and bag and sack manufacturing.

A rotating manifold allows independent orientation of the filter and air motor sections for installation adaptability. Additionally, filter blocks may be positioned near guns or regulators to minimize pressure drops. Use with LA 380 pressure regulators eliminates the need for return drainpipes, further increasing placement options. Wall-mount, lid-mount and system-trolley configurations are available to meet specific installation requirements.

A 7:1 air-to-fluid ratio delivers precise application when paired with LA 380 pressure regulators. High flow rates allow use of lower pressure, reducing risk of adhesive shearing. Higher flow capability also reduces the need to use multiple pumps in high flow applications.

LA 300 pumps accommodate 20-, 30- and 200-liter (5- or 55-gallon) containers. The versatile systems offer both standard and wear-resistant rods to handle a wide range of adhesives and production needs.

LA 300 pumps use no Teflon® seals or parts and the lubricating oil is U.S. Food and Drug Administration approved, making the pumps acceptable for use in food and tobacco industries.

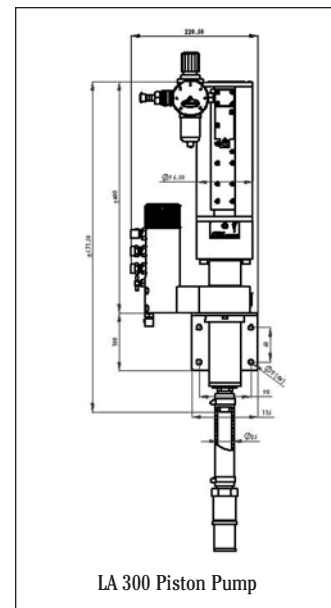
© Teflon is a registered trademark of E.I. DuPont de Nemours and Company.

LA 300 Piston Pumps

Specifications

LA 300 Piston Pumps

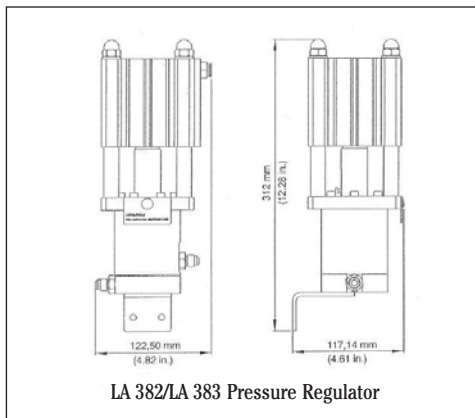
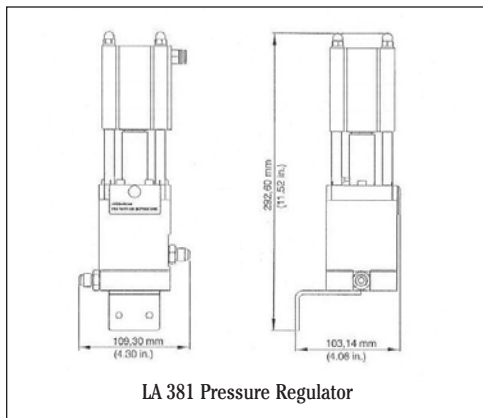
Maximum Pump Rate	120 l/hr (31.7 gal/hr)
Maximum Adhesive Pressure	42 bar (600 psi)
Ambient Temperature	1 to 50° C (33 to 122° F)
Suction Lift (Wet) @ 3000 mPas	4 m (13 ft)
Air-to-fluid Pressure Ratio	7:1
Maximum Air Consumption	1.8 NI/s (3.8 scfm)
Minimum Recommended Air Line I.D.	8 mm (5/16 in.)
Sound Intensity	<70 db
Weight	15.5 kg (34 lbs)



LA 380 Pressure Regulators

Control Air Pressure	0 to 6 bar (0 to 85 psi)
Ambient Temperature	1 to 50° C (33 to 122° F)

Output Pressure Range	LA 381 0 to 7 bar (0 to 100 psi)	LA 382 0 to 18 bar (0 to 250 psi)	LA 383 0 to 48 bar (0 to 700 psi)
Weight	4.5 kg (10 lbs)	5 kg (11 lbs)	5 kg (11 lbs)



For more information, talk with your Nordson representative or contact your Nordson regional office.

United States Duluth, Georgia Telephone: (800) 683-2314 Toll-free Facsimile: (866) 667-3329	Canada Markham, Ontario Telephone: (800) 463-3200 Facsimile: (905) 475-8821	Europe Udenhout, The Netherlands Telephone: (31) 13-511-8777 Facsimile: (31) 13-511-3995	Japan Tokyo, Japan Telephone: (81) 3-5762-2700 Facsimile: (81) 3-5762-2701	Asia/Australia/ Latin America Amherst, Ohio Telephone: (440) 985-4797 Facsimile: (440) 985-1096
--	---	--	--	---

www.nordson.com



When you expect more.®

© 2004 Nordson Corporation
All Rights Reserved.
Nordson reserves the right
to make design changes between printings.

Nordson Corporation • 11475 Lakefield Drive • Duluth, Georgia 30097-1511

Packaging - Processing
Bid on Equipment
1-847-683-7720
www.bid-on-equipment.com