

EasyPW™ Series Profile Wrapping Applicator



Hot melt applicator for coating plastic film, veneer and paper with standardized application widths



EasyPW series applicators are designed for applying adhesive to plastic foils, veneers or other materials that are then immediately adhered to profiles or plates of varying shapes and materials. The EasyPW applicators are for use in continuous contact applications with a constant width.

EasyPW applicators are available in five industry - standard maximum widths. Each of the EasyPW applicators can adjust format quickly and easily with individual shim plates. Installation, startup and maintenance are all simplified by standard features. A check valve in the hose connection, an integrated filter and a drip tray all help make EasyPW applicators easy to use and maintain.

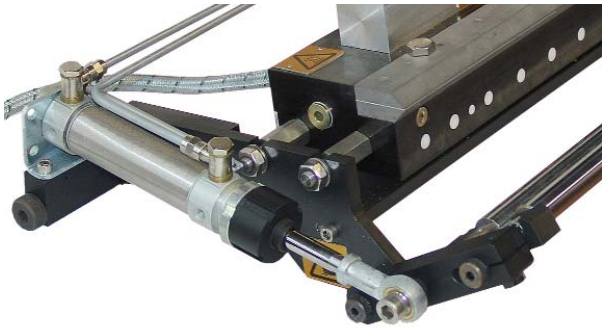
The PW technology offers significant advantages over the traditional method of roll application. The closed coating system – consisting of the EasyPW applicator, adhesive tank melter or bulk melter and heated hoses – is particularly well suited for complex processing of reactive polyurethane adhesives (PUR) as well as for EVA and all other hot melt adhesives.

PW applicators provide high quality adhesive bonding and substantially reduce the effort required for cleaning. Precise metering with gear pumps and exact adhesive temperature control mean that much less adhesive is consumed.

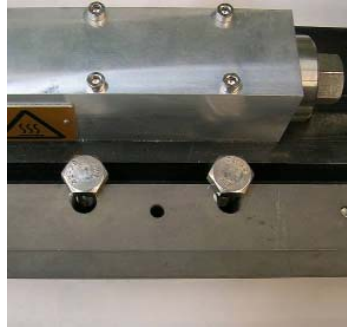
Features and Benefits

- Simplified, effortless installation, startup and handling.
- Integrated pneumatic swivel device for precise guiding of the substrate to the nozzle.
- Standard filter, hose connection check valve and drip tray simplify maintenance and reduce upkeep costs.
- Adapted to suit the equipment used in this market.
- Closed application system protects the adhesive from pollution and moisture.

EasyPW™ Series Profile Wrapping Applicator



Integrated pneumatic swivel device

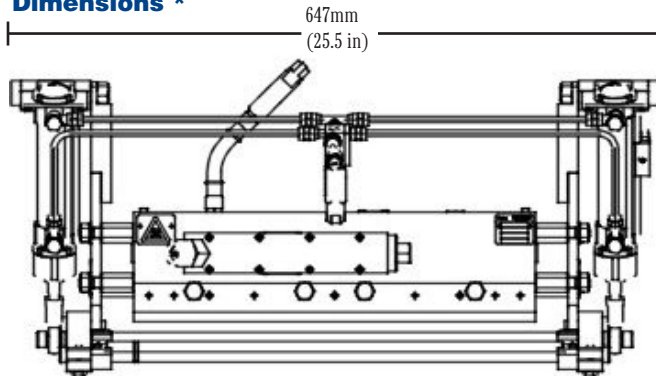


Quick format changing

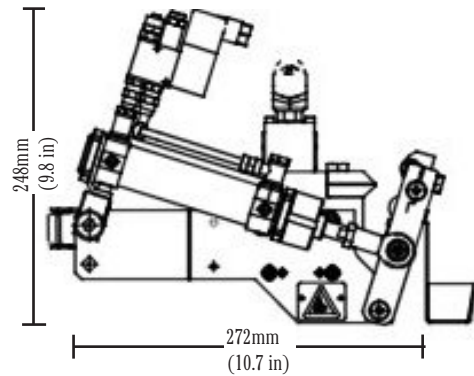
Technical Data

EasyPW	350	500	650	1100	1300
Operating temperature	max. 200 °C (392 °F)	max. 200 °C (392 °F)	max. 200 °C (392 °F)	max. 200 °C (392 °F)	max. 200 °C (392 °F)
Application pressure	max. 7 Mpa (70 bar/ 1016 psi)	max. 7 Mpa (70 bar/ 1016 psi)	max. 7 Mpa (70 bar/ 1016 psi)	max. 7 Mpa (70 bar/ 1016 psi)	max. 7 Mpa (70 bar/ 1016 psi)
Application width	max. 350 mm (13.78 in)	max. 500 mm (19.69 in)	max. 650 mm (25.59 in)	max. 1100 mm (43.31 in)	max. 1300 mm (51.18 in)
Dimensions (HxWxD)	248 x 647 x 272 mm (9.8 x 25.5 x 10.7 in)	248 x 860 x 272 mm (9.8 x 33.9 x 10.7 in)	248 x 991 x 272 mm (9.8 x 39.0 x 10.7 in)	290 x 1381 x 317 mm (11.4 x 54.4 x 12.5 in)	290 x 1581 x 317 mm (11.4 x 62.2 x 12.5 in)
Control air pressure	N/A	N/A	N/A	0,6 Mpa (6 bar/ 87 psi)	0,6 Mpa (6 bar/ 87 psi)
Operating voltage	230 VAC	230 VAC	230 VAC	230 VAC	230 VAC
Control voltage	N/A	N/A	N/A	24 VDC	24 VDC
Power consumption	750 W	1200 W	1500 W	2775 W	3225 W

Dimensions *



* (EasyPW 350)



For more information, talk with your Nordson representative or contact your Nordson regional office.

United States

Duluth, Georgia
Tel: (800) 683-2314
Fax: (866) 667-3329

Canada

Markham, Ontario
Tel: (800) 463-3200
Fax: (905) 475-8821

Europe

Lüneburg, Germany
Tel: (49) 4131-894-0
Fax: (49) 4131-894-149

Japan

Tokyo, Japan
Tel: (81) 3-5762-2700
Fax: (81) 3-5762-2701

Asia/Australia/ Latin America

Amherst, Ohio
Tel: (440) 985-4797
Fax: (440) 985-1096

www.nordson.com

© 2007 Nordson Corporation
All rights reserved.
Nordson reserves the right
to make design changes between printings.



Packaging - Processing
Bid on Equipment
1-847-683-7720
www.bid-on-equipment.com