



E-400 Electric Gun

High Speed E-400 electric guns for bead application at superior accuracy and repeatability to minimize costs.

Features of Nordson E-400 electric guns:

- **Accurately** dispenses adhesive at cycles of less than 10 milliseconds.
- **Delivers** superior repeatability of fine beads for greater pattern control and consistency.
- **Electrical quick-disconnects** speed installation and servicing.
- **Service life** can be four times that of pneumatic guns, reducing replacement costs.
- **Electric actuation** eliminates use of compressed air, lowering operational costs.
- **Driver** is equipped with a PC interface for simple and convenient programming.
- **Diagnostic capability of driver** indicates existence of fault conditions, minimizing maintenance issues and troubleshooting time.
- **RTD sensor** produces reliable temperature readings for consistent adhesive flow and uniform patterns.



The new E-400 electric gun is ideal for high-speed bead applications. Capable of delivering fine bead patterns, E-400 guns accurately dispense adhesive at cycle rates below 10 milliseconds.

E-400 guns accommodate a wide range of viscosities and deliver superior repeatability of bead patterns for greater pattern control and consistency. Service life can be fourfold compared to pneumatic guns, which maximizes productivity and reduces replacement costs.

The E-400 driver optimizes gun performance and application versatility. The driver is equipped with a PC interface allowing users to easily program settings by entering application requirements directly from a computer to the driver. Electrical quick-disconnects speed installation and servicing, as does the gun's quick-change heater and sensor. The resistance temperature detection sensor provides precise temperature measurement.

E-400 Electric Gun

Gun Specifications

- Maximum Hydraulic Pressure:** up to 1,200 psi
- Working Viscosity¹:** up to 7,500 cps
- Electrical Connections:** Quick-disconnects
- Operating Temperature:** 175° C (350° F) Nominal
- Electrical Service:** 220-240 VAC 50/60 Hz
- Heating Method:** Quick change cartridge heater with armor

Driver Specifications

- Capacity:** 1 Channel, maximum 3 modules
- Electrical Service:** 170 - 264 VAC, 50/60 Hz
- Maximum Power Requirement:** 95 Watts
- Input Line Fuses:** 2 Amps
- Trigger Source Options:** 24 VDC and 5 VDC
- Enclosure rating:** IP-20

Notes:

¹ Performance is affected by viscosity. At 50 % on time, the following cycle rates are recommended for maximum repeatability:

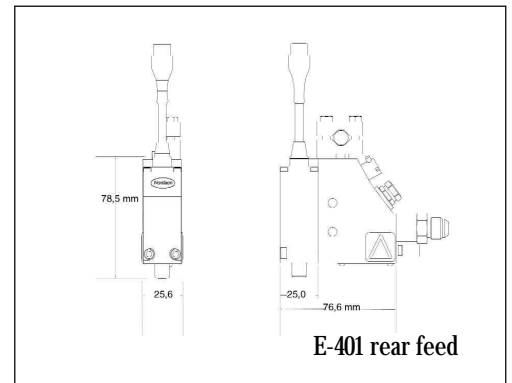
Viscosity (cps)	Cycle Rate (cpm)
1000	3900
2000	3500
3000	3100
5000	2600

At 150° C (300°F)

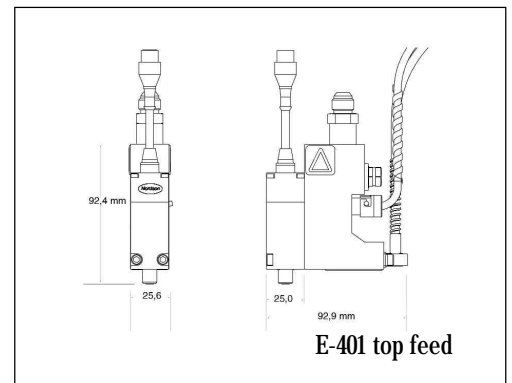


E-400 Driver

Dimensions



E-401 rear feed



E-401 top feed



For more information, talk with your Nordson representative or contact your Nordson regional office.

United States

Duluth, Georgia
 Telephone: (800) 683-2314
 Toll-free Facsimile:
 (866) 667-3329

Canada

Markham, Ontario
 Telephone: (800) 463-3200
 Facsimile: (905) 475-8821

Europe

Lüneburg, Germany
 Telephone: (49) 4131-894-0
 Facsimile: (49) 4131-894-149

Japan

Tokyo, Japan
 Telephone: (81) 3-5762-2700
 Facsimile: (81) 3-5762-2701

Asia/Australia/ Latin America

Amherst, Ohio
 Telephone: (440) 985-4797
 Facsimile: (440) 985-1096

www.nordson.com



When you expect more.®

Nordson Corporation • 11475 Lakefield Drive • Duluth, Georgia 30097-1511

© 2003 Nordson Corporation
 All Rights Reserved.
 Nordson reserves the right
 to make design changes between printings.

PKL-03-2564 ED
 Issued 08/03
 Printed in Europe

Packaging - Processing
Bid on Equipment
 1-847-683-7720
www.bid-on-equipment.com