

# PRODUCT INFORMATION: DV-7000 SERIES PUMP

## HELI-FLOW<sup>®</sup> PUMP SERVO-CONTROLLED AUGER PUMP

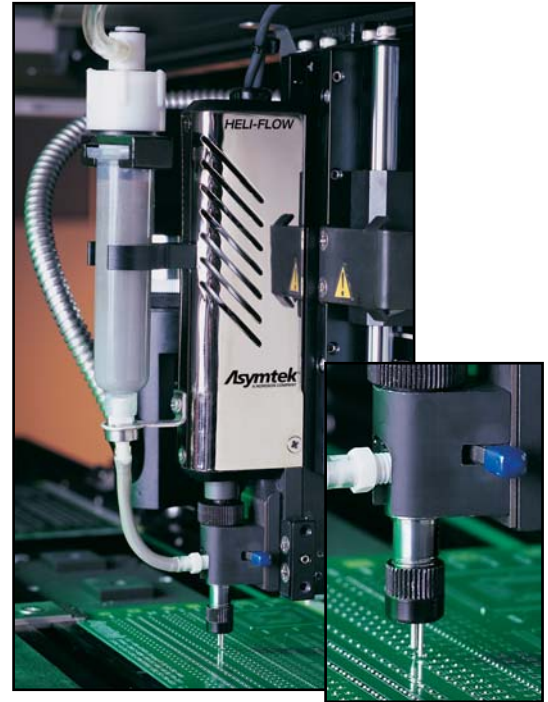
The DV-7000 Heli-Flow<sup>®</sup> pump is available in a luer- or footed-needle design with interchangeable cartridges, allowing each pump to work with several different fluid types. The DV-7000 has a hardened auger for use with filled epoxy materials and features a high flow rate.

Footed needle cartridges feature an accurate and consistent gap between the needle tip and the foot. The foot contacts the board, and the gap ensures that the pump dispenses fluid at a programmable distance from the board surface and compensates for variations in the board's surface, providing fast small-dot dispensing. Typical applications include solder paste, silver paste, and dispensing small-dot surface mount adhesives.

Luer-lock needle cartridges use the needle with a height sensor to set the gap between the board surface and needle tip, and is ideal for applications when the needle can't touch the board. Applications include dam writing, area fills, glob top, and lid seal.

The quick-release cartridge design of the DV-7000 makes cleaning easy. Simply press the quick release lever to remove the needle and cartridge. No tools are required. To use a different fluid type, simply change the cartridge, needle, and disposable fluid line.

Asymtek's other auger pump – the DV-8000 with its fixed-head design – is ideal for high flow rate encapsulation and lid seal applications. The DV-7000 pump is interchangeable with DV-8000 cartridges, although only the DV-7000 can use footed cartridges. Both pumps cover a wide range of dispensing applications to provide flexible process solutions.



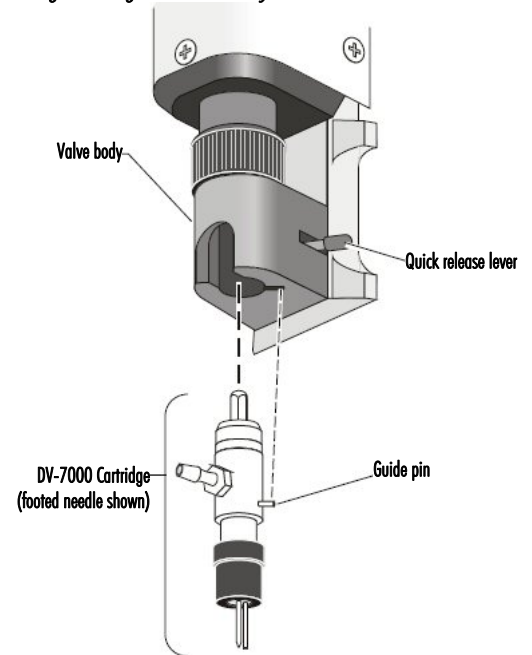
### FEATURES & BENEFITS:

- Footed cartridge with a fixed mechanical stand-off nozzle for extremely consistent dots and increased throughput
- Luer-cartridge option allows use with a wide range of standard needles
- Tool-free disassembly of wetted parts for quick and easy cleaning
- Fast cartridge changeover
- Cartridges are interchangeable with DV-8000 pumps

## DV-7000 PUMP SPECIFICATIONS:

Dimensions	Length: 190-192 mm (7.48-7.56 in.)
	Width: 33 mm (1.3 in.)
	Depth: 72.6 mm (2.86 in.)
Air pressure required	34-552 kPa (5-80 psi, 0.7 -5.5 bar) Depending on fluid, higher viscosities require higher pressures
Motor	Closed-loop control with encoder feedback on the dispensing platform

*Loading a cartridge is fast and easy:*



## DV-7000 PUMP CONFIGURATIONS:

Model	Description	Application
DV-7222-SF1	Footed needle cartridge	Surface mount adhesive, solder paste, silver epoxy
DV-7222-SL1	Luer-lock needle cartridge	Surface mount adhesive, solder paste, silver epoxy
DV-7223-CP8-LP	Luer-lock needle cartridge	Silver epoxy, Types 3 and 4 solder pastes
DV-7223-CP0-LP	Luer-lock needle cartridge	Types 5 and 6 solder pastes
DV-7321-CL8	Luer-lock needle cartridge	Dam writing
DV-7322-CL8	Luer-lock needle cartridge	Glob top, encapsulation
DV-7331-CL8	Luer-lock needle cartridge	Lid seal

*Please contact these locations for the name of your local representative:*

### HEADQUARTERS

2762 Loker Avenue West  
 Carlsbad, CA 92010-6603 USA  
 U.S. (toll free): 1-800-ASYMTEK  
 Tel: (760) 431-1919  
 Fax: (760) 431-2678  
 Email: [info@asymtek.com](mailto:info@asymtek.com)

### INTERNATIONAL SALES

Europe: +31 (0) 43-352-4466  
 China: +86-21-5899-1879  
 Japan: +81 (0) 3-5762-2801  
 Korea: +82-31-765-8337  
 S.E. Asia: +65 6796-9515  
 Taiwan: +886-2-2902-1860  
[www.asymtek.com](http://www.asymtek.com)

*Heli-Flow® and Asymtek® are registered trademarks of Asymtek.  
 Nordson® is a registered trademark of Nordson Corporation.  
 Windows® is a registered trademark of Microsoft, Inc.*

*Asymtek reserves the right to make design changes to products to improve their function.  
 These changes may occur between printings.*

*Contact Asymtek for your specific application requirements.  
 ©2006 Asymtek Published 09/2006  
 Asymtek is ISO 9001 Certified*