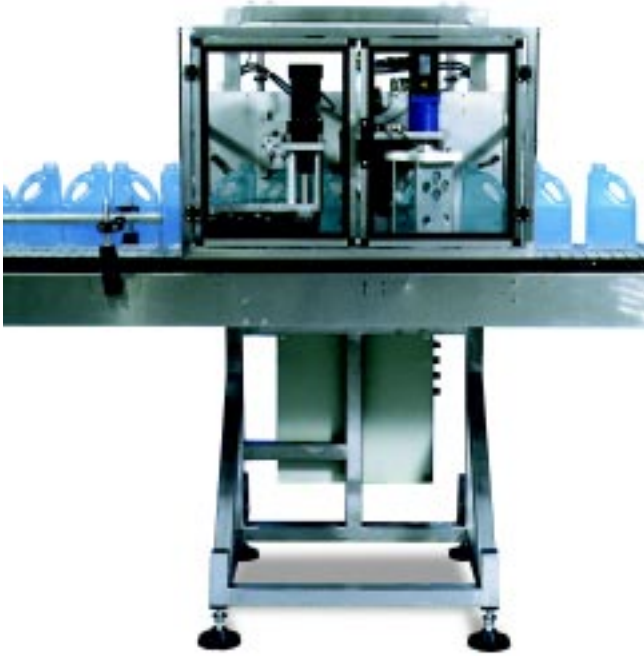




In-Line Orienting System

Model: SOE-6



SOE-6 In-Line Orienter

Versatile - Using Servo technology the SOE-6 provides an inexpensive means of orienting asymmetrical or symmetrical containers on the customer's conveyor. It is especially useful for "F" style containers where the fill neck has to be oriented either "neck leading" or "neck trailing". Its range permits use on very large, down to small container applications.



SOE-6 orienter w/doors open

Dependable - The SOE-6 provides a smooth, uninterrupted flow of correctly oriented empty or filled containers. Its application can be configured to orient any flat sided or oval shaped containers, or any containers either labeled or unlabeled to sense and orient using the most subtle difference in mechanical shape, graphics or texture. The determining factor can be as small as a metering window located on the spine or edge of the container.

SOE-6 Snapshot:

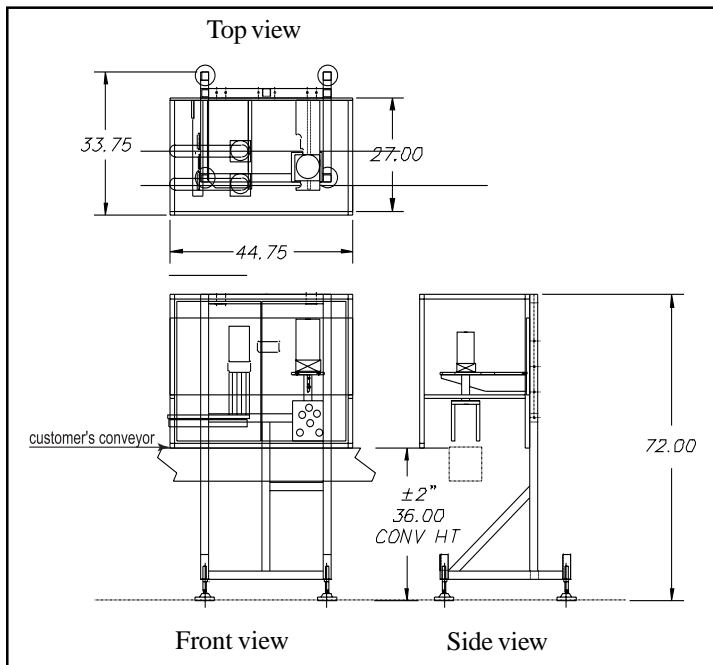
- Tubular 304 stainless steel welded frame
- Clean, non-painted, non-marring surfaces
- Orients empty or filled containers
- Handwheel adjustments for bottle height
- Soft start and stop features
- Jog switch w/10 foot cord
- Clear acrylic guarding
- Adjustable discharge height 36" ± 2"
- High floor clearance
- Smoothed and polished welds
- Operations and maintenance manual
- Infeed belts for separation of backlog

New England Machinery, Inc.

Innovators In Container Handling Systems



SOE-6 Specifications



BENEFITS

- Compact design
- Easy installation – over customer's conveyor
- Low maintenance
- Gentle container handling
- Dual motor drive

ELECTRICAL FEATURES

- NEMA-12 electrical
- 220 volt, single phase, 60Hz input requiring 30 amp service
- Backlog photo-eye w/automatic stop and restart
- AC drives
- TEFC AC motors
- Allen-Bradley® PLC

PNEUMATICS

- 5-10 cfm. @ 80 psi. clean, dry, oil-free compressed air

Optional Equipment

- Anodized aluminum
- Wash down electrical
- Upgrade to polycarbonate guarding
- Strengthened turning device for filled containers
- UPC sensor or vision system for position indication
- Casters for portability
- Discharge height other than standard (36" ± 2")
- Left-hand discharge
- Electronic height adjustment
- PLC upgrade
- All stainless steel construction
- Transformer for different input voltages

SOE-6 In-Line Orienter can be configured to any customer specification, upon request.

New England Machinery, Inc.

6204 29th Street East, Bradenton, FL 34203 U.S.A.
 941/755-5550 Fax: 941/751-6281
 www.neminc.com E-mail: info@neminc.com