

*The New England Machinery NEPMT Retorquer*

New England Machinery Inc. has introduced the Model NEPMT Retorquer, a cap tightener. If you are experiencing LOOSE CAP problems the NEPMT is the solution providing consistent torque per your specification. Due to the industry demands of induction sealing for freshness and tamper evidence, caps tend to lose their torque. This equipment gives the peace of mind that you will not be faced with recall or quarantine due to loose caps, product spillage or contamination. The NEPMT is also designed to eliminate any rework or hand retightening which can induce carpal tunnel syndrome.

**EASY TO USE** - The New England Machinery NEPMT is a free-standing, self-contained unit. Move from line to line, and use as needed.

**EASY TO ADJUST** - Hand crank height adjustment allows a single operator to changeover the system quickly without tools. Individually adjustable pneumatic clutches permit on-the-run fine tuning.

**VERSATILE** - The speeds of the tightening rollers and infeed belts are individually adjustable.

**CONTAINER CONTROL** - The New England Machinery NEPMT precisely synchronizes container speed with your conveyor.

**RELIABLE** - Free floating cap wheel design maximizes contact time of rollers to caps.

**OPTIONAL BACKLOG PROTECTION** - Photo eye monitors the line requirements, and stops and starts the infeed timing rollers according to downstream demand.

### FEATURES & BENEFITS

- Free-standing, self-contained unit
- Prevents leakers from soiling labels and containers
- Protects products from contamination due to loose caps
- Installs easily
- Handwheel height adjustment
- Individually adjustable pneumatic clutches
- On-the-run torque adjustment
- Tightening rollers and infeed belts individually adjustable
- Synchronizes with line speed
- Free floating cap wheels

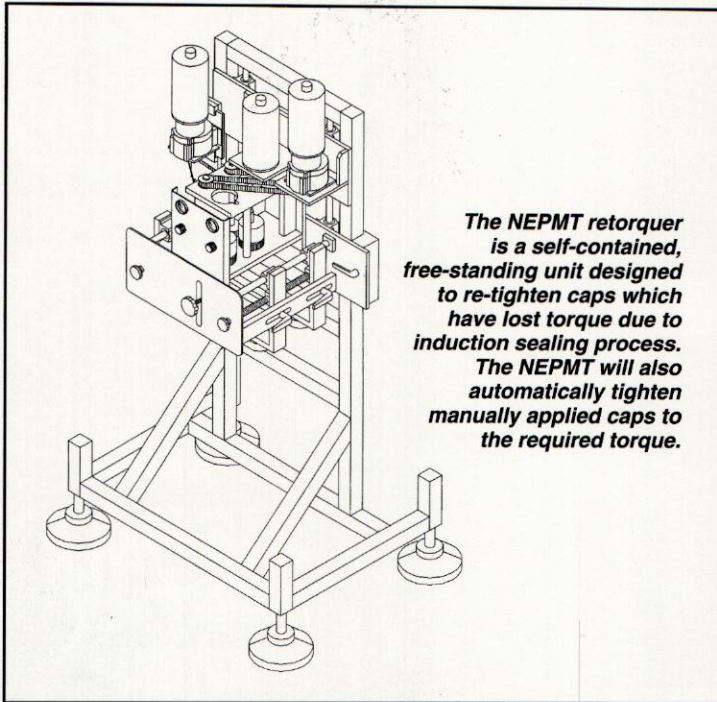


**NEW ENGLAND MACHINERY,**  
*"An Ergonomically Responsible Company"*

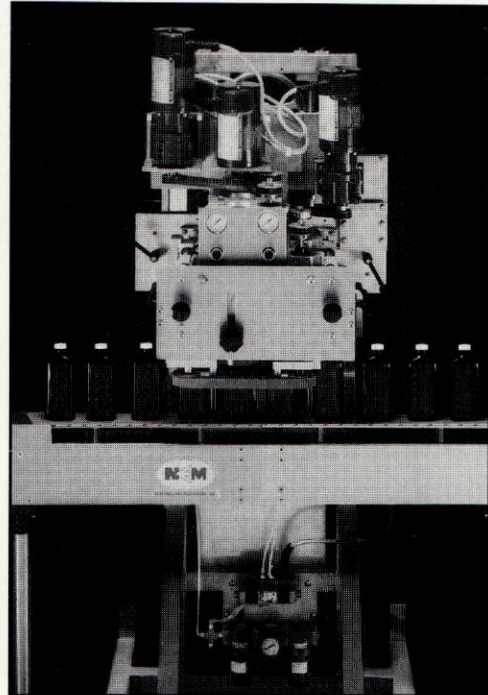
# MODEL NEPMT RETORQUER

## CAP TIGHTENER

# SPECIFICATIONS



*The NEPMT retorquer is a self-contained, free-standing unit designed to re-tighten caps which have lost torque due to induction sealing process. The NEPMT will also automatically tighten manually applied caps to the required torque.*



**Model NEPMT Retorquer**

### Specifications

POWER: 110V / 1Ø / 60Hz / 20 amps

RATING: NEMA-12

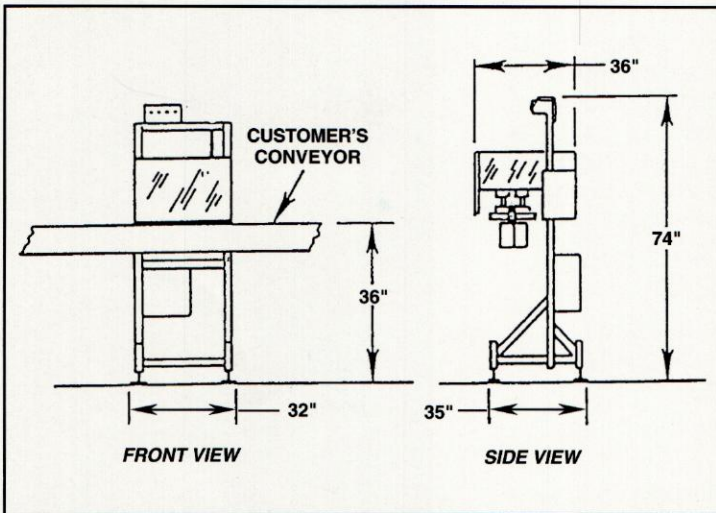
AIR: 80 PSI

### Cap Size Range

Minimum .5 inches Maximum 3 inches

### Options:

- Dual tightening wheels
- Dual gripper belts
- Other NEMA ratings (wash down, explosion proofing, etc.)
- Transformer for different input voltages
- UL listing available
- Spare parts kits
- Photo-eye backlog protection



**Typical Plan and Profile Views.**



**NEW ENGLAND MACHINERY, INC.**

*"An Ergonomically Responsible Company"*

*Changes in machine design or specifications are a result of continual machine improvement and New England Machinery, Inc. reserves the right to change specifications without prior notice.*

**World Headquarters**  
6204 29th Street East  
Bradenton, Florida 34203  
Telephone: 813/755-5550  
Telefax: 813/751-6281  
Telex: 6813344

**European Headquarters**  
New England Machinery, Ltd.  
Szeged-Kiskundorozsma  
Kettőshatár Ut 4  
H-6791  
P.O. Box 769  
H-6701, Hungary,  
Telephone: 36/62-325-955  
Telefax: 36/62-325-966