

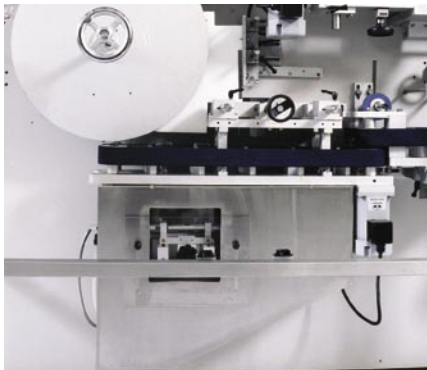
Heavy Duty Unscrambler

Model: NEHHBT



NEHHBTCL-60 Heavy Duty Unscrambler. Shown with optional bulk hopper and bottle cleaner

The New England Machinery, Inc. Model NEHHBT is a high speed unscrambler designed to handle all types of plastic containers. This heavy duty machine is ideal for 24-7 applications and high speed operations.



Optional ionized air container cleaner

Versatile - The NEHHBT can handle round, square, oval, rectangular, straight-walled, tapered and asymmetrical containers in a wide range of sizes. New AC direct drives store preset speeds and offer easy interface for use of optional HMI. This model is available with an optional ionized air cleaner for cleaning containers prior to filling.

Ease of Operation - Changeovers can be done quickly and easily. New integrated AC drive motors allow easier adjustability,

have less wear parts, and offer more versatility. Quick size change is available using hand wheel adjustments (with numerical position indicators) or optional one-touch electronic adjustment for container width change.

High Speed - The NEHHBT offers speeds to 625 containers per minute (depending on container size and configuration.)



Integrated AC drive motors

NEHHBT Snapshot:

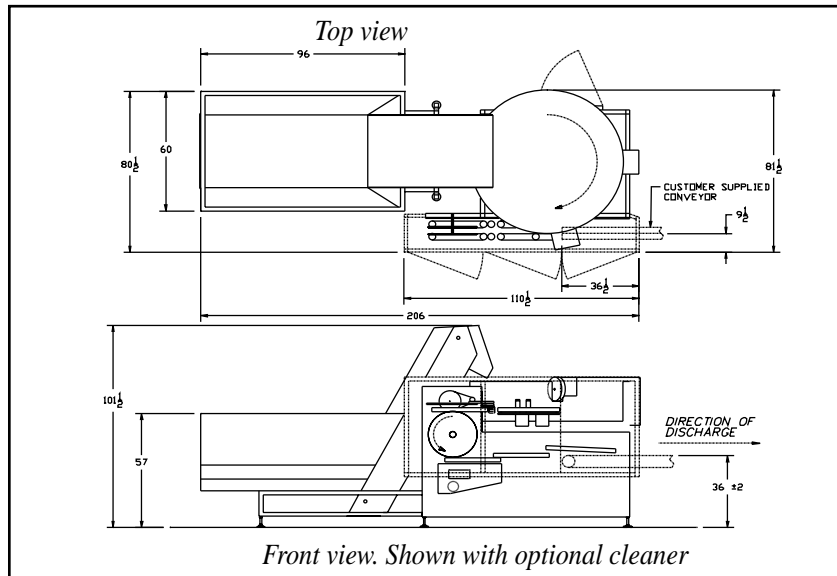
- 6061 aluminum and 304 stainless steel construction
- Powder coated aluminum faceplate
- Clean, non-painted, non-marring surfaces
- 48", 60", 72", 90" sorter bowl
- Non-scuffing nylon faced transfer belts
- Easy changeover modular change parts
- Jog switch w/ 10 foot cord
- Clear acrylic hinged guarding doors
- Smoothed and polished welds
- High floor clearance
- Operations and maintenance manual
- Adjustable discharge height 36" ± 2"
- Direct discharge to customer's constant speed, continuous motion conveyor
- Backlog sensor
- Manual dump valve (release all vacuum or compressed air from the system)
- Clear anodized aluminum components

New England Machinery, Inc.

Innovators In Container Handling Systems



NEHHBT Specifications



ELECTRICAL FEATURES

- NEMA-12 electrical
- 220 volt, 3 phase, 60Hz input requiring 30 amp service
- Backlog photo-eye w/automatic stop and restart
- AC variable frequency drives
- Integral electrical enclosure
- Allen Bradley® PLC

PNEUMATICS

- 15 cfm. @ 80 psi. clean, dry, oil-free compressed air



NEHHBT-72 Unscrambler with integrated secondary orienter and optional hopper elevator

NEHHBT Unscrambler can be configured to any customer specification, upon request.

New England Machinery, Inc.

2820 62nd Ave East, Bradenton, FL 34203 U.S.A.

941/755-5550 Fax: 941/751-6281

www.neminc.com

E-mail: info@neminc.com

Changes in machine design or specifications are a result of continuous machine improvements and New England Machinery, Inc. reserves the right to change standard specifications without prior notice.

NEHHBT 02/10

Optional Equipment

- Caster wheels
- Change from std. (36" +/-2") discharge height
- Central lubrication
- Digital container counter
- Dynamic scuff minimizing package
- Extended range for oversized containers
- Jam detector (overload)
- Left-hand discharge
- Minimum tools quick change feature
- Sound reduction package
- Stainless steel machine skirting
- Upgrade machine guarding to polycarbonate
- Clear polycarbonate bowl cover
- PLC upgrade
- Built-in ionized air rinser
- Machine status post with annunciator
- HMI touch screen