

Moline Dough Reduction Unit



Providing a large amount of sheeting capacity within a compact footprint.

The Moline dough reduction unit (DRU) is designed to gradually and gently reduce the thickness of the dough sheet as it passes through the machine.

Three sets of rollers allow progressive dough reduction from the infeed conveyor to the discharge. The first set of rollers has a slightly wider opening than the second set; the third set of rollers has the narrowest opening. Each set is independently adjustable for both roller opening and roller speed. The thickness of the finished dough sheet is determined by the roller openings which are easily

adjusted with the hand wheels located on the cabinet. Roller scrapers help prevent the dough from sticking and guide dough sheet travel.

The operator interface provides an easy-to-use touch screen for machine activation and for altering roller speed settings.

The DRU can be used for all types of dough and provides an 8:1 sheeting ratio which translates into a large amount of sheeting capacity and efficiency within a compact footprint.

- **Accommodates conveyor widths of 24" to 60".**
- **Roller adjustments are easily made via the hand wheels and the operator interface.**
- **Providing an 8:1 sheeting capacity ratio.**



Packaging - Processing
Bid on Equipment
1-847-683-7720
www.bid-on-equipment.com



Moline Machinery LLC

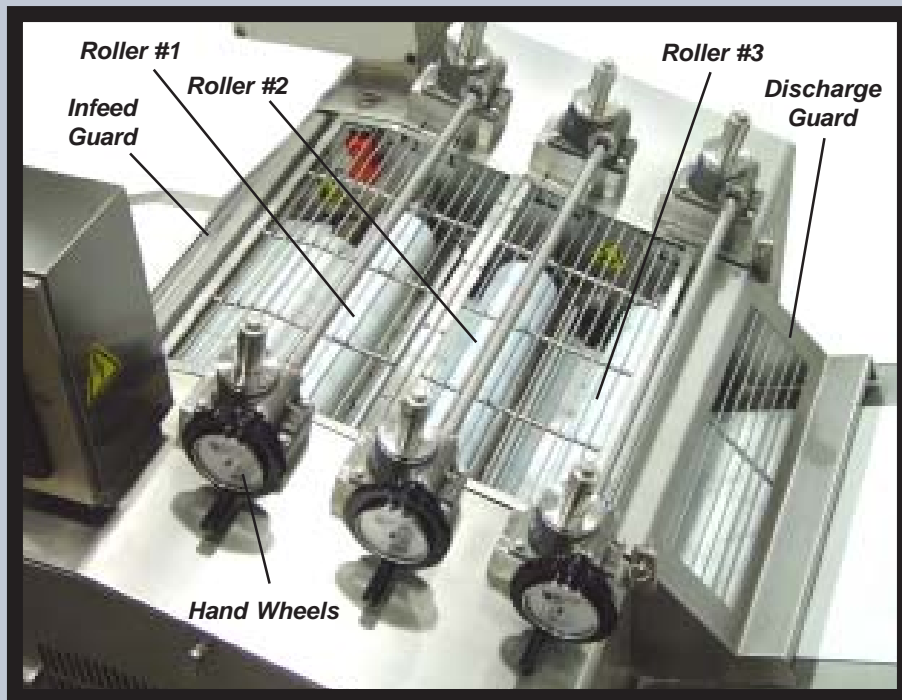
114 South Central Avenue • Duluth, Minnesota, USA, 55807
218-624-5734 (For after hours service, call 218-590-1987)
www.moline.com • sales@moline.com



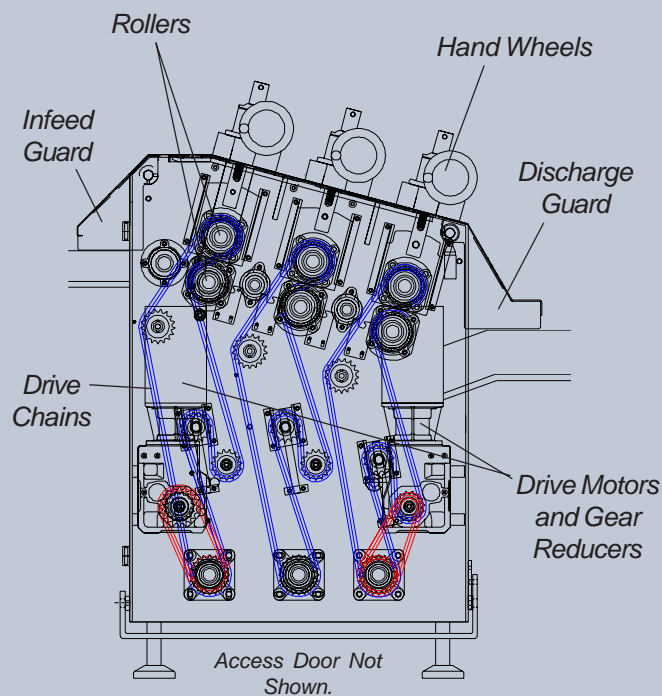
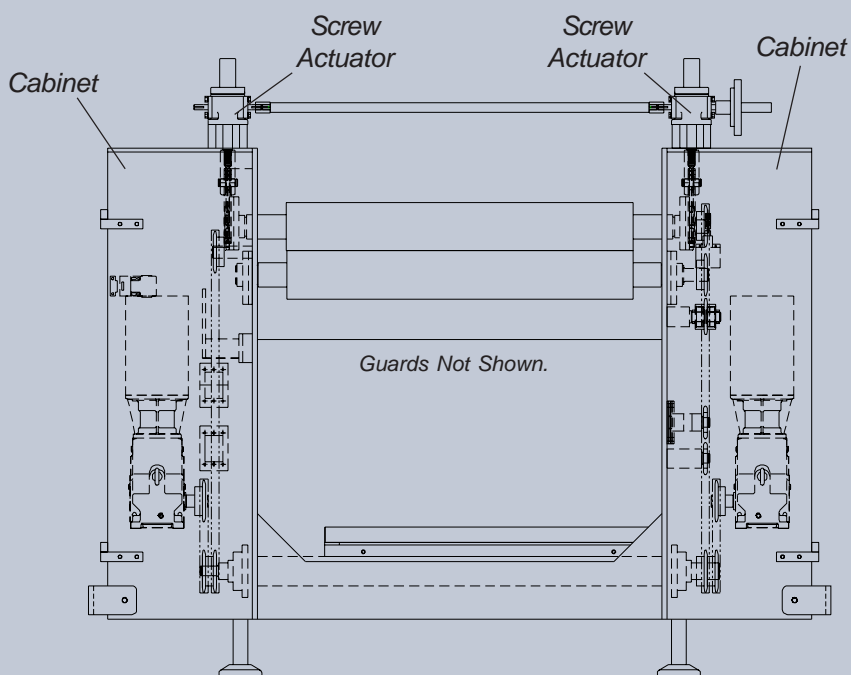
Moline Dough Reduction Unit (DRU)

DRU Features

- **Construction:**
Heavy-gauge stainless steel construction. Precision machined components.
- **Guards and Covers:**
Safety interlocked guards prevent access to rollers during operation. Doors on both ends of the machine provide access to mechanical components.
- **Control Functions:**
Roller openings are adjusted with the hand wheels on the cabinet. Roller speeds are easily adjusted through the operator interface.
- **Drive System:**
Variable frequency drive, including drive motors, gear reducers, drive chains and sprockets.



Dough Reduction Unit (top view)



Due to continuous product improvement, specifications are subject to change without notice.