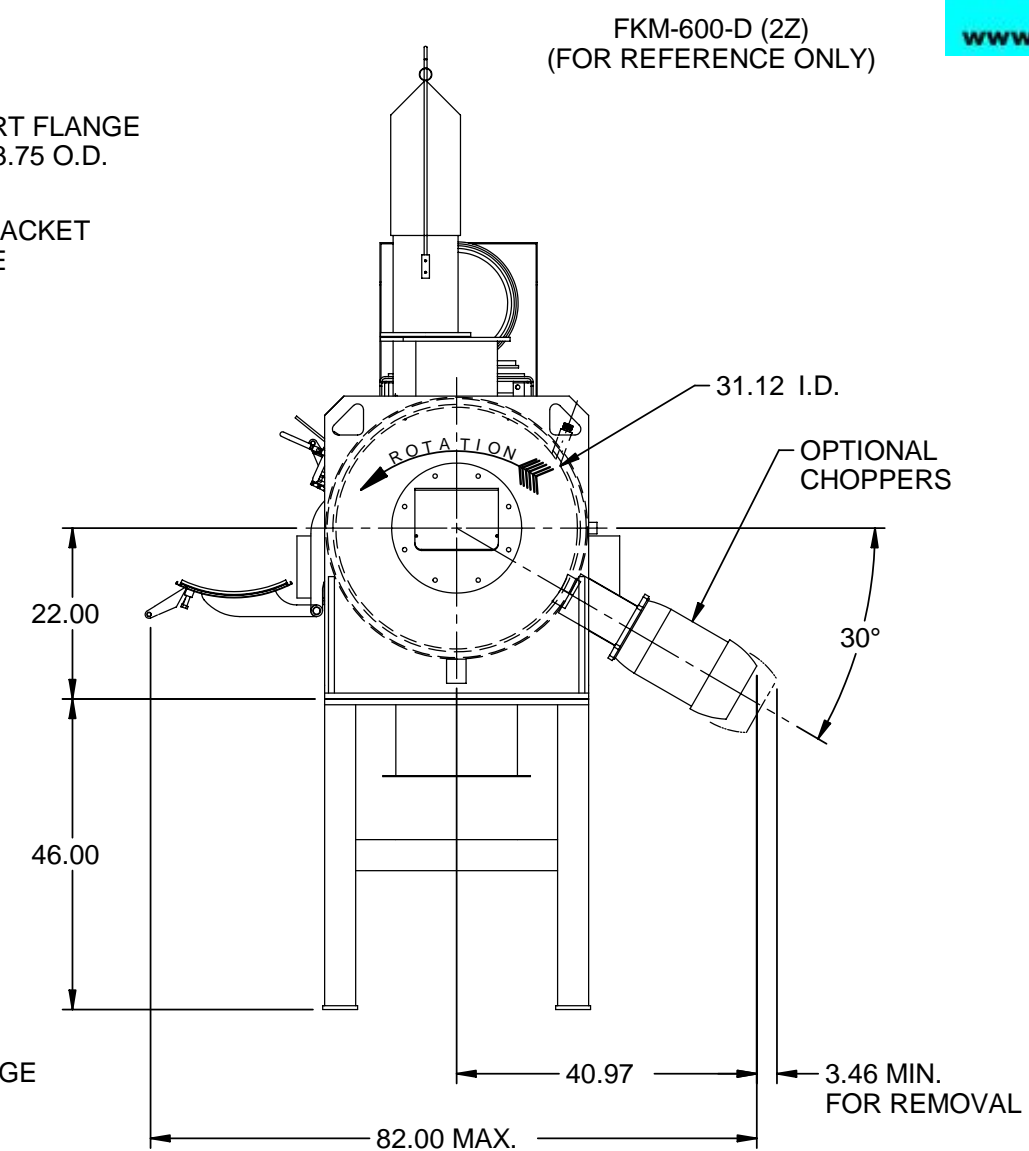
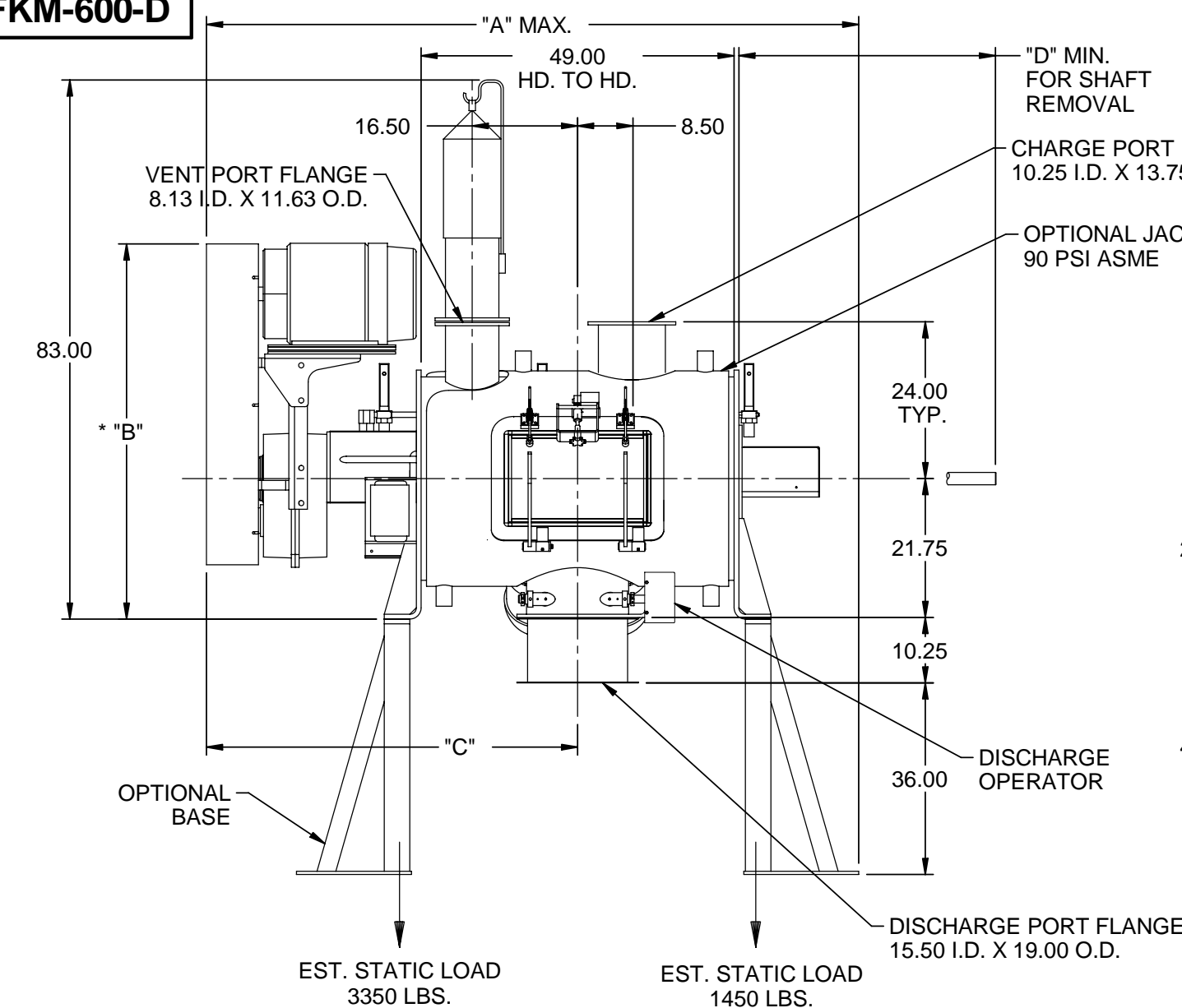
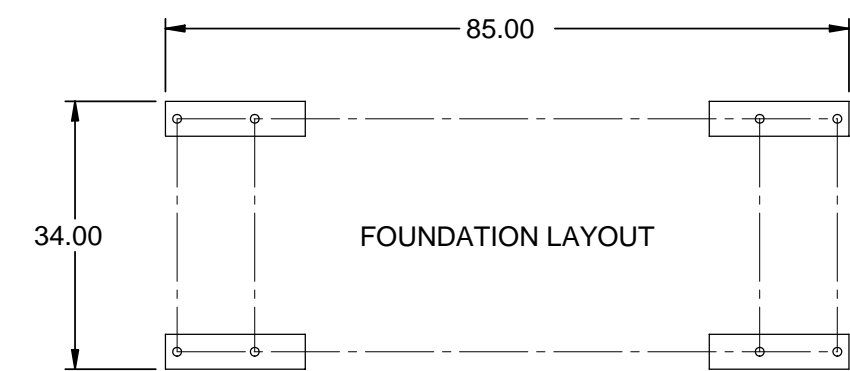


DRAWING NO. **FKM-600-D**



FKM-600-D (ZZ)
(FOR REFERENCE ONLY)



H.P.	"A" DIM.	"B" DIM.	"C" DIM.	"D" DIM.
50	109"	59"	67"	90"
60	104"	62"	62"	88"
75	104"	61"	62"	90"

C			
B			
A	SEE ECN #3033	7-25-06	WHV
REV.	DESCRIPTION	DATE	BY
	Littleford Technology CAD/CAM/CAE		Mixing Drying Reacting

UNLESS SPECIFIED	TOLERANCES UNLESS SPECIFIED	
DEBURR ALL HOLES	FABRICATED	MACHINED
BREAK SHARP EDGES	0-20 IN. ± 1/16	.X ± .020
	20-100 IN. ± 1/8	.XX ± .010
	100 + IN. ± 3/16	.XXX ± .005
✓ FINISH UNLESS SPECIFIED	ANGLES ± 1/2°	ANGLES ± 1/4°

LITTLEFORD DAY, INC. CLAIMS PROPRIETARY RIGHTS IN THE MATERIAL DISCLOSED HEREON. THIS DRAWING IS ISSUED FOR ENGINEERING INFORMATION ONLY AND MAY NOT BE USED FOR MANUFACTURING PURPOSES WITHOUT WRITTEN PERMISSION FROM LITTLEFORD DAY, INC. TO THE USER.

Littleford Day
LITTLEFORD DAY, INC.
7451 EMPIRE DR. FLORENCE, KY. 41042-2985
SALES DRAWING
MODEL FKM-600-D

DR. TJV	DATE: 05/03/01
CK.	SCALE:
AP.	DATE:
FKM-600-D	REV. A