

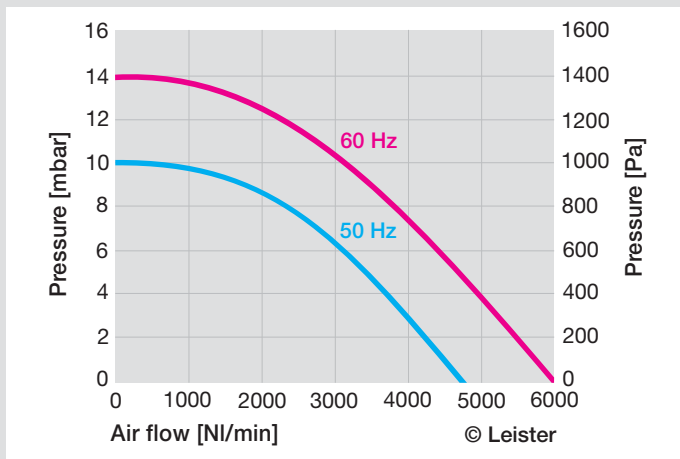
# SILENCE: The quieter option.

No blower no air! In industrial processes a blower often supplies several air heaters in parallel. It excels through its high power and compact design. The durable and maintenance-free blowers are a result of uncompromising quality standards and decades of experience.

The mid-range blower SILENCE is very quiet in operation at 61 dB(A). It delivers high air flows and can be installed in all orientations.

## Medium pressure blower

### SILENCE

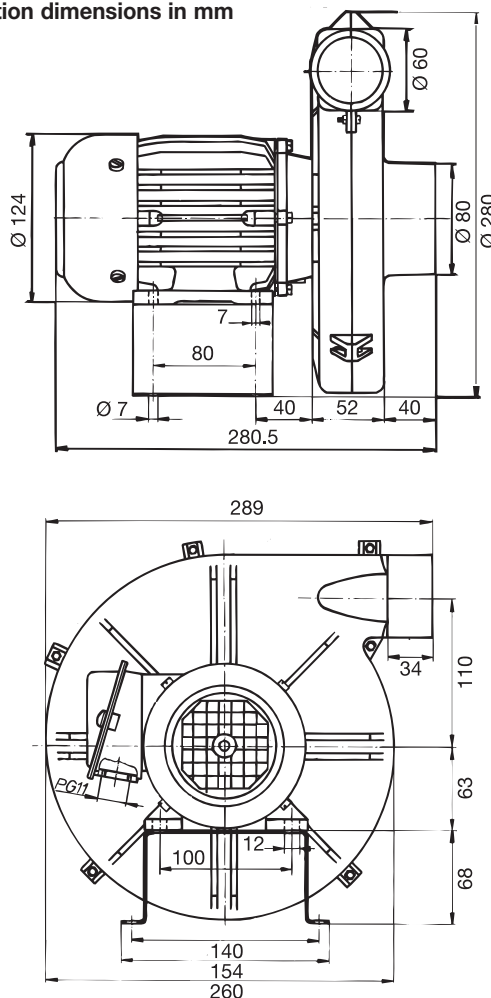


#### Technical data

Design radial blower

Parameter	Unit	50	60
Frequency	Hz	50	60
Air flow (20 °C)	l/min	4700	6000
Static pressure	Pa	1000	1400
Max. ambient temperature	°C	60	60
Noise emission level	LpA (dB)	61	61
Environmental protection (IEC 60529)		IP 54	IP 54
Outside diameter air inlet	mm	Ø 80	Ø 80
Outside diameter air outlet	mm	Ø 60	Ø 60
Weight	kg	9.0	9.0
Mark of conformity		CE	CE
Protection classe I		⊕	⊕

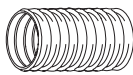



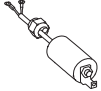




#### Installation dimensions in mm



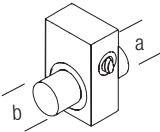
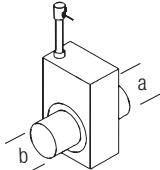
Voltage	V~	1 × 230	3 × 230 / 400 3 × 440 – 480	3 × 500
	50Hz			
	60Hz			
Power consumption	W	250	250	250
<b>Without cable</b>	Order no.		103.507	103.513
<b>3 m cable / Euro plug</b>	Order no.	103.510		

Additional versions on request

**Accessories Medium pressure blower SILENCE**  
(Ø 60 mm)

107.288		PVC air hose Ø 60 mm
107.287		Hose clip for Ø 60 mm air hose
107.240		Closing cap Ø 60 mm attachable to hose connection adaptor 107.238 and 107.278
107.294		Stainless steel filter, push-fit on air intake
110.887		Motor capacitor 230 V
107.291		Hose connection adaptor with 1 air outlet for Ø 38 mm hose. Push-fit on air outlet a = 38 mm, b = 60 mm
107.278		Hose connection adaptor, Push-fit on air outlet a = 60 mm, b = 60 mm
107.292		Hose connection adaptor with 2 air outlets for Ø 38 mm hose. Push-fit on air outlet a = 60 mm, b = 38 mm
107.293		Hose connection adaptor, Push-fit on adaptor 107.292 a = 38 mm, b = 38 mm

**Air flow adjuster and on/off switch**

107.295		Hand operated air flow adjuster and on/off switch. Size 214 × 88 × 133 mm a = 62 mm, b = 60 mm
		<b>&gt; SILENCE</b>
107.296		Air flow off/on switch The air flow is interrupted on command (pneumatic 5 bar) to the heaters. Siz 214 × 88 × 133 mm a = 62 mm, b = 60 mm
		<b>&gt; SILENCE</b>

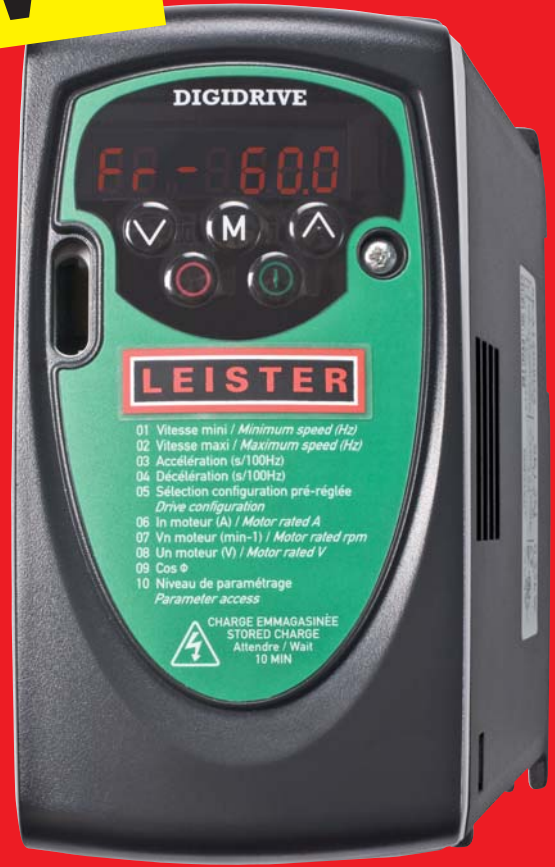
**Special nozzles on request**

If using non-Leister blowers, compressors and accessories no guarantee can be given by us

**LEISTER**

PROCESS HEAT

**NEW**



**Frequency converter  
for Leister blowers.**

**More power,  
variable air volume,  
controllable via  
remote control.**



**ROBUST**

**SILENCE**

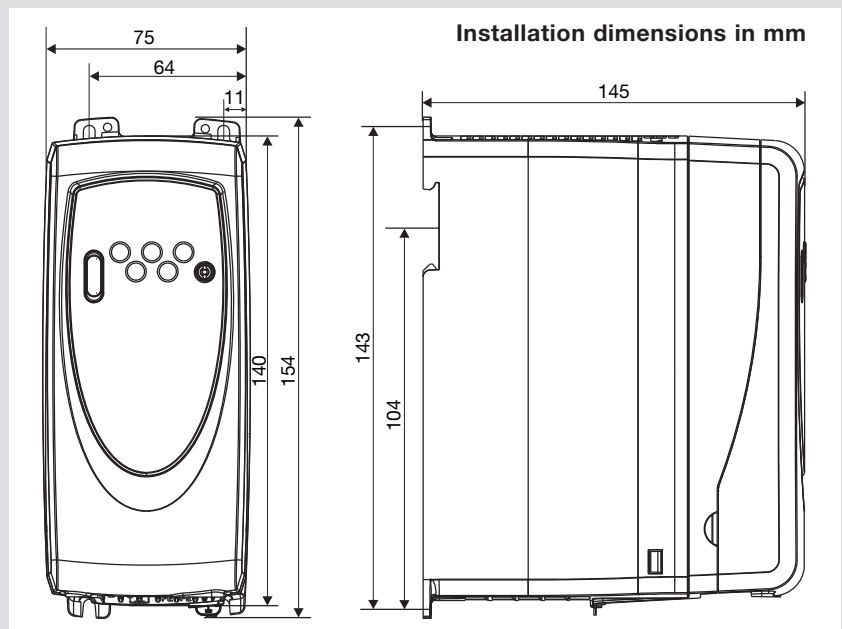
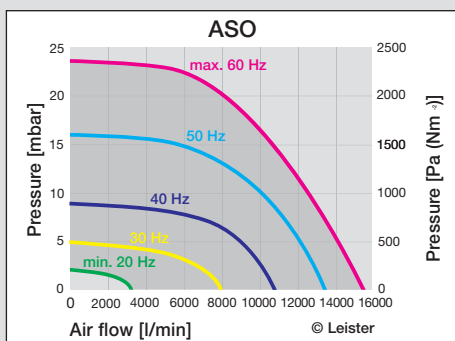
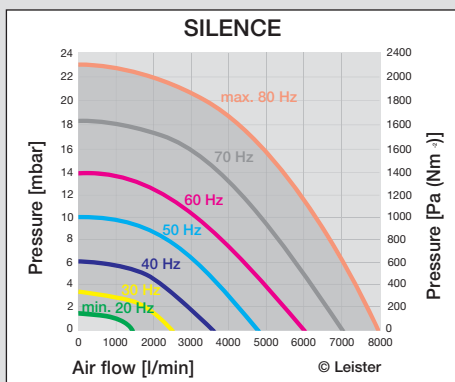
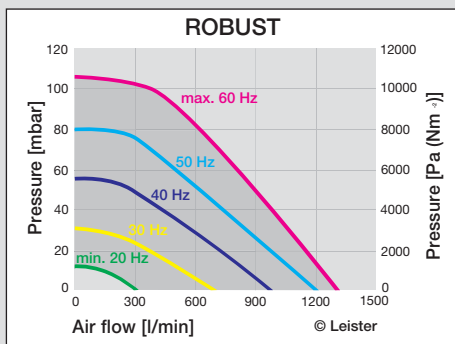


**ASO**



## Benefit of frequency converter with Leister blowers

- Better hot air processes** Because air volume and heating performance can be set independently, precisely and reproducibly from each other.
- Up to 60% higher blower performance** Because the frequency converter lets the blower turn faster than the mains frequency (see diagram below).
- Lower system costs** Smaller and cheaper blowers can be used or fewer blowers will be necessary, because multiple air heaters can be connected to a blower.
- Easy to integrate in the controller** By the remote control interface 4-20mA/0-10V or by fixed set values (up to 4) via clamp contacts.
- Air supply controller** Active braking function enables quick air volume changes, i.e. for timed systems.
- Save energy – heat only when necessary** There are timed processes, where hot air is necessary within a clearly defined time window. For the rest of the time, the air volume can be minimised and the heating performance switched off.
- Simple plug & play installation** The frequency converter is already configured for operation with Leister blowers.
- Secure** Integrated current monitoring and a built-in motor protection switch protect the blower.
- Elimination of the motor condensator** This function is already integrated in the frequency converter.



### Technical Data

Input voltage	V~	1 × 200 – 240 VAC
Max. blower rated power	W	550
Frequency	Hz	50 / 60
Typical input current at full load	A	8.1
Output rated power (100%)	A	3.0
Weight	kg	1.0
Mark of conformity	CE	UL
Protection class I		⊕

Article No. 117.359 frequency converter FC 550