

# LEISTER SILENCE

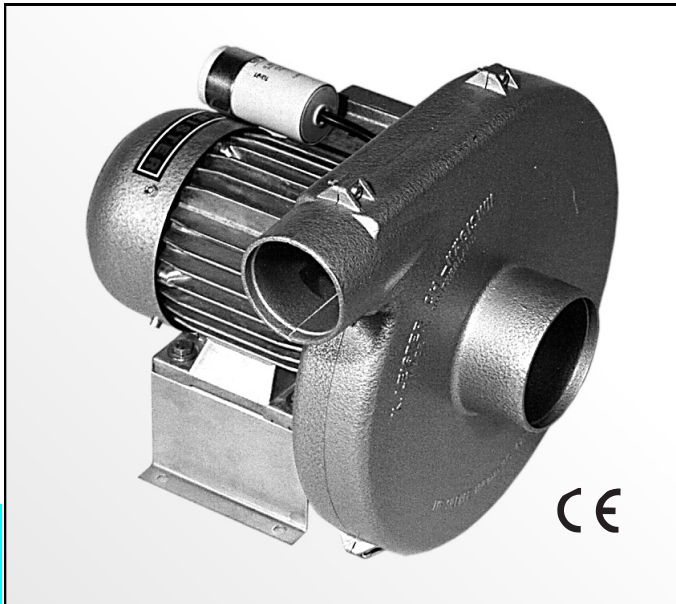
## Medium Pressure Blower



Please read operating instructions carefully before use and keep for further reference.

### APPLICATION

- The **LEISTER Blower Silence** is suitable for building into machines, installations and appliances and is designed for maintenance-free continuous operation.
- It is suitable for delivering air, non combustible, non corrosive and non explosive gases.
- **Air supply for LEISTER Hot Air tools**, for intake air supply and for cooling.
- **Ventilation** of tanks, aquariums and different applications for textile machines.
- **Drawing off** of welding gases and fumes.
- **Transfer** of granular and loose materials.
- **Vacuuming** screen printing machines and air tables.





## WARNING



**Danger!** When opening up the tool, live components and connections are exposed. Therefore, before opening it, unplug the tool to ensure disconnection from the mains.



## CAUTION



The **voltage rating** stated on the tool should correspond to the mains voltage.



The tool must be grounded with the protective conductor.



Use thermal overload protection switch.



Pay attention to the direction of rotation.



Protect tool from **damp and wet**.

## TECHNICAL DATA

### Design

Voltage for three-phase supply	V~	radial blower
Voltage for single phase supply	V~	3 x 230 – 254    3 x 380 – 440
Condensator for single phase	mF	1 x 230 – 254
Capacity	W	12
Frequency	Hz	750
Air flow	l/min.	50 / 60
Static pressure	Pa	4700 / 6000
Noise level	dB (A)	1000 / 1400
Environmental protection	DIN 40050	61
Diameter of air intake (external Ø) mm		IP 54
Diameter of air outlet (external Ø) mm		80
Ambient temperature	°C	60
Weight	kg	<60
Size (L x B x H)	mm	9,0
		280,5 x 289 x 280

100 Pa = 1 mbar



## ACCESSORIES

- Only LEISTER accessories must be used.

## SERVICE AND REPAIR

- Repairs have to be carried out by authorised **LEISTER Service Centres** only. They guarantee a specialized and reliable **repair service within 24 hours** using original LEISTER spare parts.

## GUARANTEE AND LIABILITY

- Guarantee and liability are in accordance with the guarantee certificate as well as with the currently valid general business and sales conditions.
- LEISTER Process Technologies rejects any guarantee claims for tools which are not in their original condition. The tools must never be altered or changed.

**Technical data and specifications are subject to change without prior notice.**

**Your authorized Service Centre is:**