

KR203C

Coin & Key Attaching System

Packaging - Processing
Bid on Equipment
1-847-683-7720
www.bid-on-equipment.com

Use the KR203C
to attach keys or coins
automatically onto a wide
variety of paper products

The KR203C mounts onto most KR215 and KR219 label bases and even works with some Cheshire bases. Many types of coins including pennies, nickels, dimes and quarters as well as keys are individually dispensed and attached onto the host using quick-setting hot melt glue. Built-in flexibility means you can replace the vacuum wheel die pads and hopper to run different size coins or keys. A miss feed detection circuit disables the feed system on the head when the host misses feeds.



** Guards may have been removed for clarity; Do not operate machine without guards in place.

KR203C

Coin & Key Attaching System

**General Specifications:

Physical	English	Metric
Length	15"	38.1 cm
Width	14"	35.6 cm
Height	22"	55.9 cm

Electrical Requirements

Unit	Voltage	Amp	Phase	Hz
KR215 Base - Main Power Input*	220 VAC	10	1	50/60
KR203C Coin Head**	24 VAC			50/60

* Note: Base required to mount head not shown

** Note: Power supplied by base

Operating Speeds

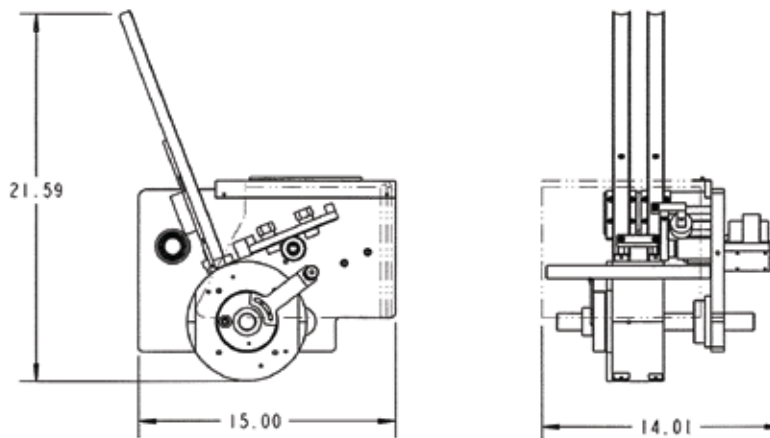
Maximum	7,000/hr @ 22" (55.9 cm spacing)
---------	----------------------------------

Note: Speeds are dependent on material (product) being fed

Products:

Coins: Penny, Nickel, Dime, Quarter - Single or Double Hopper

Optional Key applications



** Specifications subject to change without notice.