

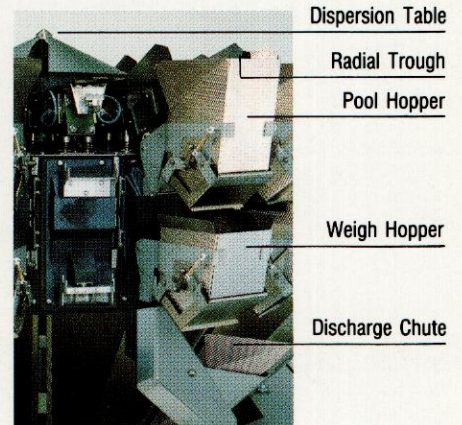
Large-capacity Multihead Weigher

CCW-Z-214W-S/60-WP



14-Head Modular Concept Weigher That's Fast, Easy to Maintain, and Completely Water and Dust-proof.

For weighing bulky and lengthy items such as French fries, no weigher is more efficient or convenient than Ishida's new CCW-Z-214W-S/60-WP. Fresh and frozen foods can be weighed with tremendous speed and ease (up to 80 packages each minute) thanks to numerous advanced functions and the use of 14 large-capacity hoppers. This high precision combination weigher features a completely water and dust-proof construction for improved reliability and durability. It can be easily cleaned with running water in just a few minutes. (The water-proof performance meets the requirements of international Standards IP-65.) Also programmable functions and a user friendly touch screen control panel provide the flexibility to meet an exceptionally wide range of requirements, giving you a degree of efficiency and productivity that's astounding.



ISHIDA

Packaging - Processing
Bid on Equipment

1-847-683-7720

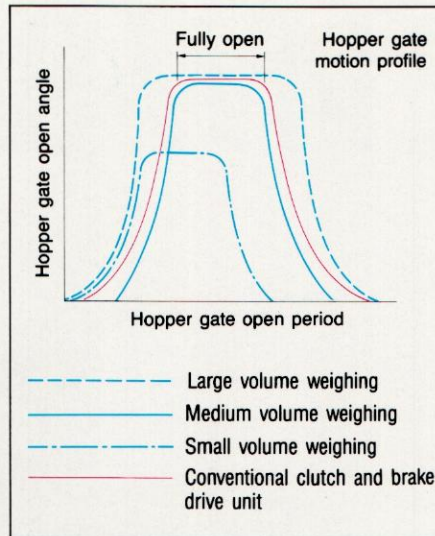
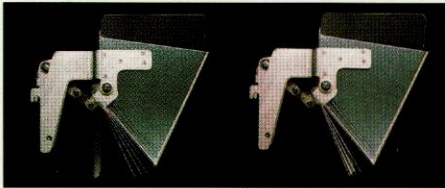
www.bid-on-equipment.com

All the necessary functions and features to handle extra large products... Ishida's creative technology makes it possible.

Stepping motor precision

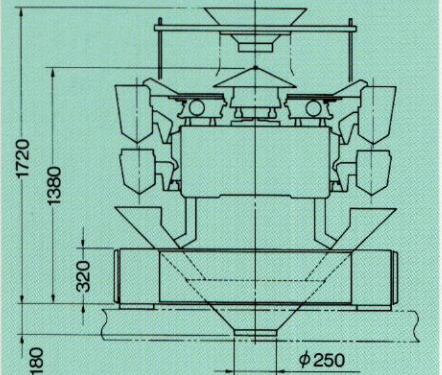
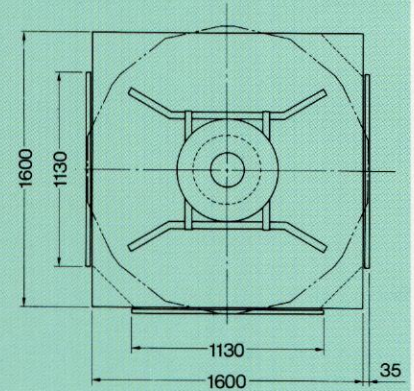
Instead of the conventional clutch and brake drive unit, a state-of-the-art stepping motor precisely controls the speed and rotation of each hopper gate.

A suitable hopper gate motion profile can be selected according to the target weight and type of product, thus increasing production speed and reducing noise.



Dimensions

Unit: mm



SPECIFICATIONS

Model	CCW-Z-214W-S/60-WP
Weighing Capacity	5,000 grams
Weighing Range	150 grams ~ 5,000 grams
Maximum Volume for Weighing	15,000 cc (per single dump)
Weighing Speed (*)	up to 80 W.P.M.
Controller	16 Bit Microprocessor
Weigh Cell	Double-beam strain gauge load cell
Target Weight Setting	Digital entry via numerical keypad
Minimum Graduation	0.5 grams
Weight Display	Plasma
Air Purge Supply	Required Air Pressure - 5 kgf/cm ² , 90 liters/min. (Equivalent to 0.75 kw Compressor) Air Hose - PT3/8" (for Air Dryer Connection) NOTE: Air Compressor should be prepared by the end user.
Material	Main body - SUS 304 Drive Unit - Anodized Coating Dispersion Feeder Unit Frame - Fine Ceramic with Flouric Resin Radial Feeder Unit Frame - Fine Ceramic with Flouric Resin
Options	Various options are available. Please contact Ishida distributors.

NOTE: Specifications subject to change without notice.

(*): Depends on the shape of the product, product density, target weight, etc.

The CCW-Z-214W-WP weigher is protected by one or more of the following patents:

U.S.A.

3939928 4396078 4398612 4444283 4446937 4465149 4467880
4475608 4478300 4491189 4497385 4512427 4527647 4529049
4533006 4549278 4553616 4574897 4585081 4609058 4615403
4620178 4625817 4627012 4661920 4664200 4666002 4705125
4705126 4708215 4722406 4733363 4790398 4853881

Great Britain

2074329 2085172 2095934 2097207 2150309

Germany

2340832 3111811 3152246 3152282 3153264

France

2479461

Italy

1148518 1205259

Australia

523588 523958 540729 543230 543793 545140 550167
563220 564856 571762

Japan

1057592 1153378 1194134 1223752 1223760 1240515 1240516
1251500 1377486 1377496 1556704

Europe*

60633 *64554 67637 72707 74261 74283 74813
76167 101314 104084 108648 119854 124355 124370
147239 160512

NOTE: *Patent number 64554 has been registered in Great Britain, Germany, France, Netherlands, Sweden, Switzerland, Austria, Luxembourg and Liechtenstein. Other numbers have been registered in Great Britain, Germany, France and Italy.

ISHIDA

ISHIDA SCALES MFG. CO., LTD. SINCE 1893

Head Office : 44 Sanno-cho, Shogoin, Sakyo-ku, Kyoto, Japan

Phone : (075) 771-4141

Facsimile : (075) 751-1634

Telex No. : 05422065 SCALES J

Cable Add. : "SCALES" KYOTO

Packaging - Processing

Bid on Equipment

1-847-683-7720

www.bid-on-equipment.com