

# CCW-Z-214W "Gentle Slope"

The new CCW-Z-214W "Gentle Slope" model features reduced angles and drop distances in order to minimize product breakage. This weigher is ideal for weighing fragile items such as biscuits, crackers, pretzels and nuts - rapidly and accurately - while maintaining product quality.



Standard Type Weigher



Dustproof Type



Plasma Touch Screen



Stepping Motor



System Engineered

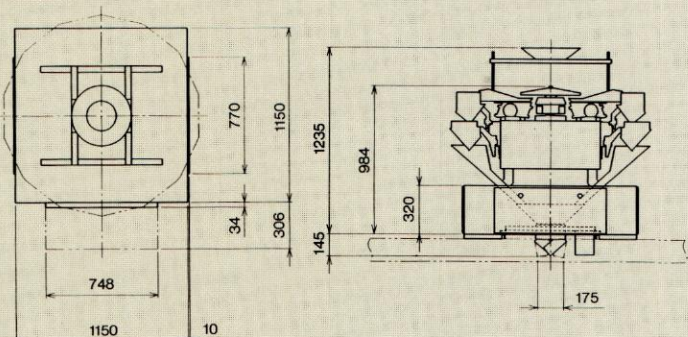


Easy Cleaning and Maintenance



## DIMENSIONS

Units:mm



## SPECIFICATIONS (Gentle Slope Weigher)

Model	CCW-Z-214W-S/20-PB	
Weighing Capacity	500g	1,000g
Weighing Range	14g to 500g	25g to 1,000g
Accuracy (*)	$\bar{X} < 1.0g$ (Max.)	$\bar{X} < 2.0g$ (Max.)
Maximum Volume for Weighing	3,000 cc (per single dump)	
Weighing Speed (**)	up to 80 W.P.M.	
Controller	16 bit microprocessor	
Weigh Cell	Double-beam strain gauge load cell	
Target Weight Setting	Digital entry via touch screen panel	
	(Minimum Graduation) 0.1g	(Minimum Graduation) 0.2g
Weight Display	Plasma	
Material	Product contact surfaces are made of stainless steel or other sanitary materials.	
Options	Various options are available. Please contact Ishida distributors.	

NOTE: Specifications subject to change without notice.

(\*) Depends on target weight, weighing speed and conditions.

(\*\*) Depends on product shape, product density, target weight, etc.