

VERSAPAK CASE PACKER



**Pick & Place
packing offers
superior product
control over
drop packing**



**Featuring the
smallest footprint
in the Industry!**



- The VersaPak Gantry Robot series offers high speed, heavy payload, and robotic precision to handle a wide variety of secondary packaging applications.
- The VersaTrak Collation Conveyor provides dual servo, high speed indexing and adjustable flight spacing to accurately group almost any size package.
- The VersaPak and VersaTrak patented designs are keys to our cost effective solution to automate even the most difficult packaging applications.
- Ultimate flexibility! When you have a VersaPak and VersaTrak System you can switch from loading bags into small boxes at 300 per minute to loading heavy trays into baskets in just a matter of minutes.



*integrated packaging
machinery, LLC*

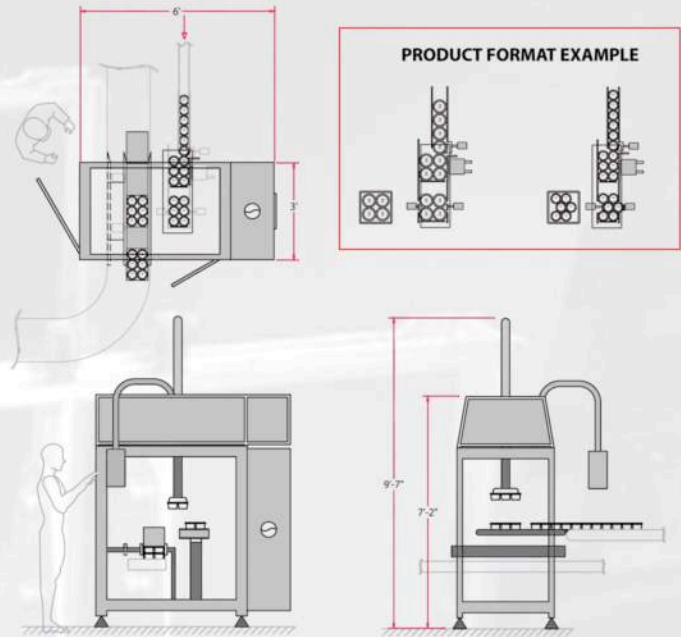


**Packaging - Processing
Bid on Equipment**

1-847-854-8577

www.bid-on-equipment.com

VERSAPAK CASE PACKER



- Available with several types of product feed systems to handle a variety of products
- Patented Gantry robotic system with fixed motors and no offset forces for high-speed packing performance
- Stainless Steel Washdown or Painted Steel Construction
- Compact Modular Design allows machine to be configured for almost any layout and application
- Robust and sanitary design
- Pick & Place Rate: 60 picks per minute (product dependant)
- Payload Weight: Up to 100 lbs (tool plus product)
- Service: 480V/3Ø/60Hz/45Amps, 10CFM Air (Optional: 240V, 380V, 50Hz)
- Controls: Allen-Bradley ControlLogix with Ultra Servo drives
- Interface: Allen-Bradley PanelView Plus 700 touchscreen on swing arm (Optional: PanelView 1000 and most others)



943 West River Center • Comstock Park, MI 49321 • tel: 616-531-7758 • fax: 616-531-7797
email: sales@callipm.com • www.callipm.com