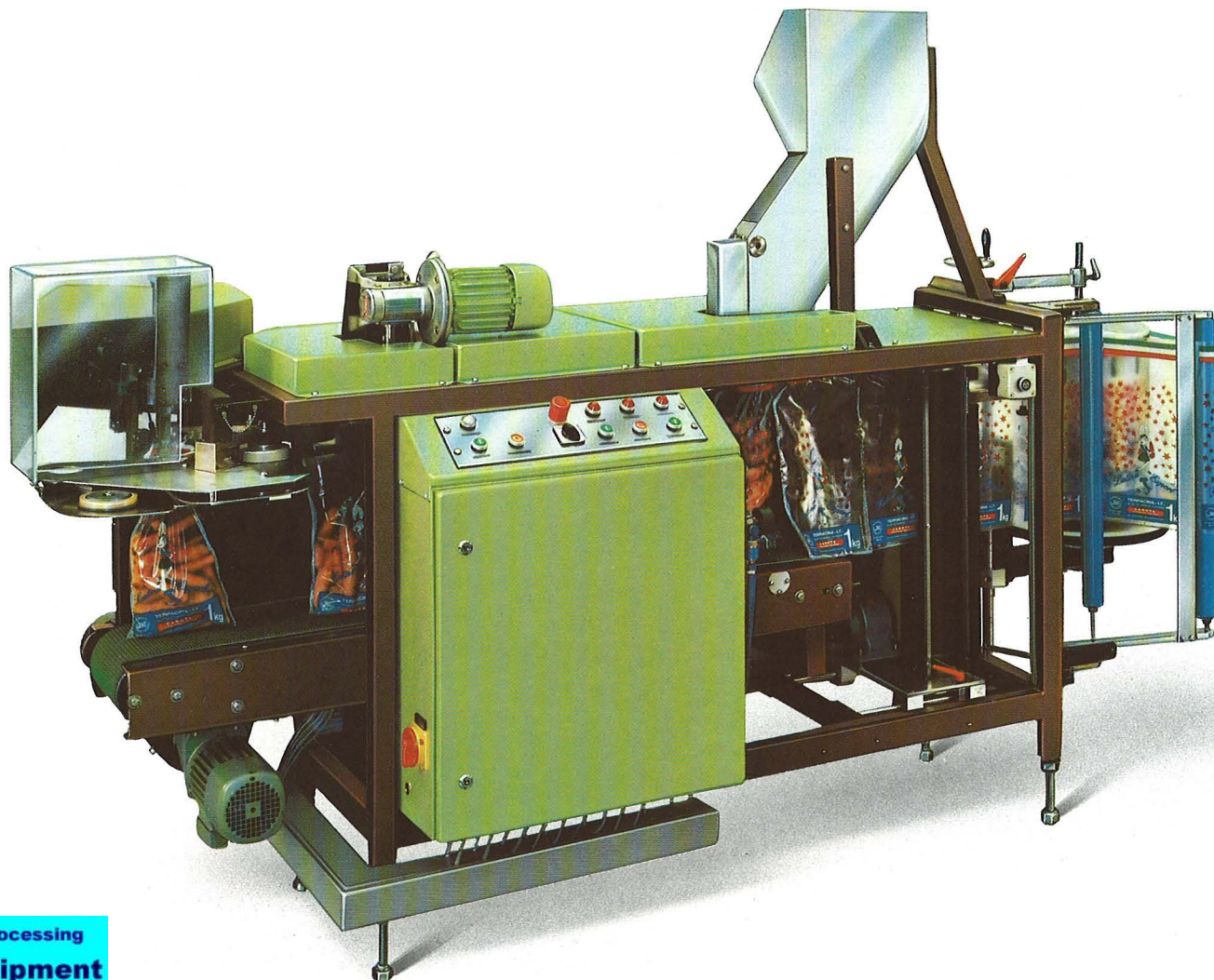
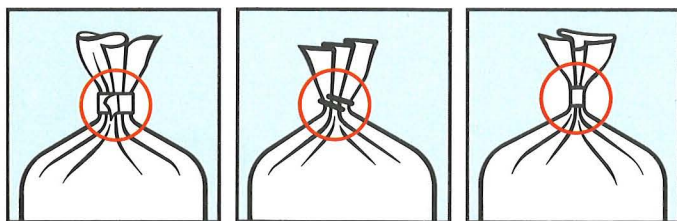
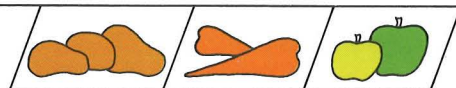


Poly bag sealing machine

"FH 210" with tape, clip or ultrasonic seal



Mode of operation:

Poly bag sealing machines "FH 210" use prefabricated bags or - if equipped with additional vertical sealing unit - semi sleeve foils. The prefabricated bags which are being supplied from a roll are safely and easily drawn off via an unrolling device and divided into separate bags just tied on their top parts in the cutting section.

A transport system with coated V-belts leads the bag chain around the stationary filling funnel, where the bag is filled.

All steps are safely and precisely carried out by the printing mark control unit.

The filled poly bag is then passed on to the sealing section, where it is safely and firmly closed by means of tape, metal clip or ultrasonic seal.

Alternatively the filled bag can also be sealed as a pillow pack via a horizontal welding unit.

In case of tape or ultrasonic sealing the filled bag is frequently turned inside a drilling section before being sealed in order to receive a "round" bag top.

Additional equipment:

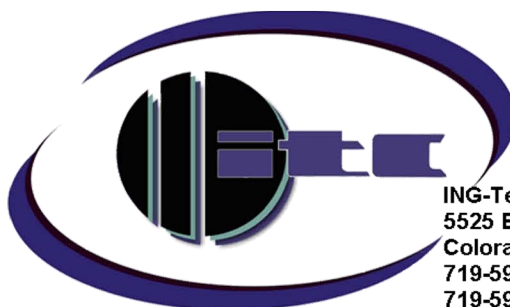
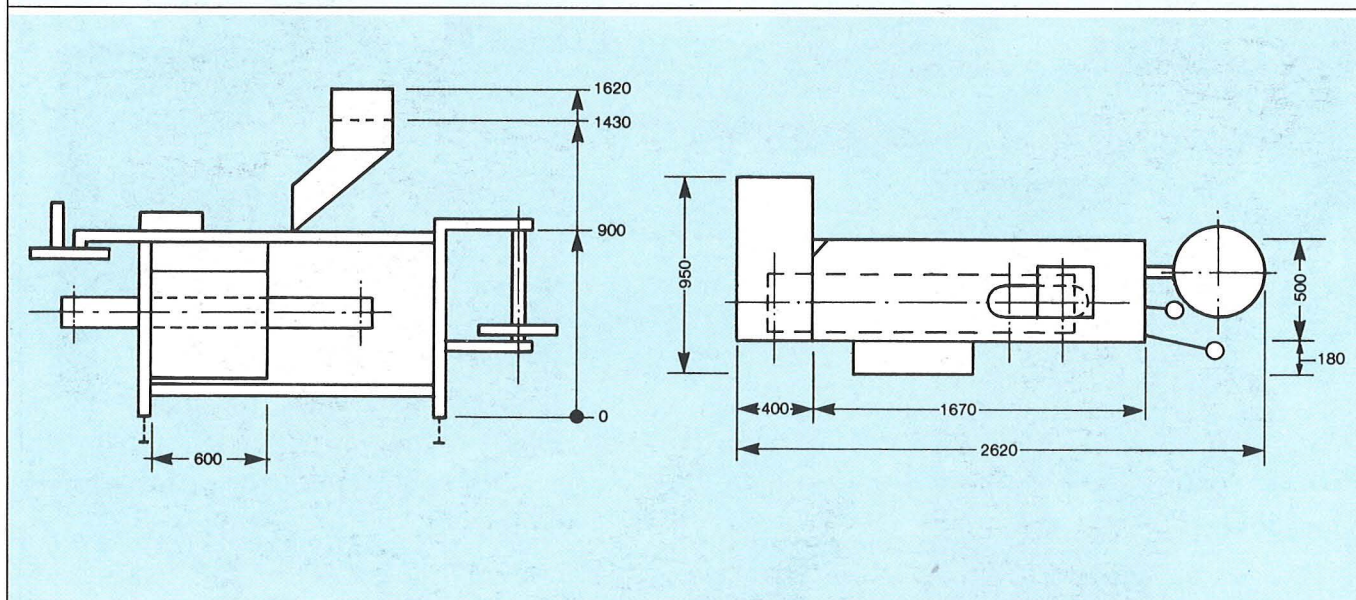
- Printer "PM 05": hot embossing device for the subsequent printing of price, packaging date etc.
- Vertical sealer for the application of semi-sleeve foil
- Vibrating feeding funnel in order to avoid produce bridges (potatoes)
- Special carrot funnel for nearly parallel arrangement of carrots inside bag
- Pneumatic lift brake inside filling section for produce-caring filling of apples into poly bags.

Brief survey of poly bag sealing machine "FH 210":

Executions	pack weights	output
"FH 210 M" sealing machine with tape seal	0,5 - 3,0 kg	carotts 1,0 kg appr. 28-30 packs/min.
"FH 210 C" sealing machine with metal clip	0,5 - 3,0 kg	appr. 28-30 packs/min.
"FH 210 U" sealing machine with ultrasonic seal	0,5 - 1,0 kg 3,0 - 5,0 kg	appr. 26-28 packs/min. appr. 20-22 packs/min.

All machines are available in both, right and left execution!

Special executions upon request!



ING-Tech Corporation
 5525 Erindale Dr. Suite 217
 Colorado Springs, CO 80918
 719-599-4044
 719-599-4013 (fax)
www.producepackagingitc.com