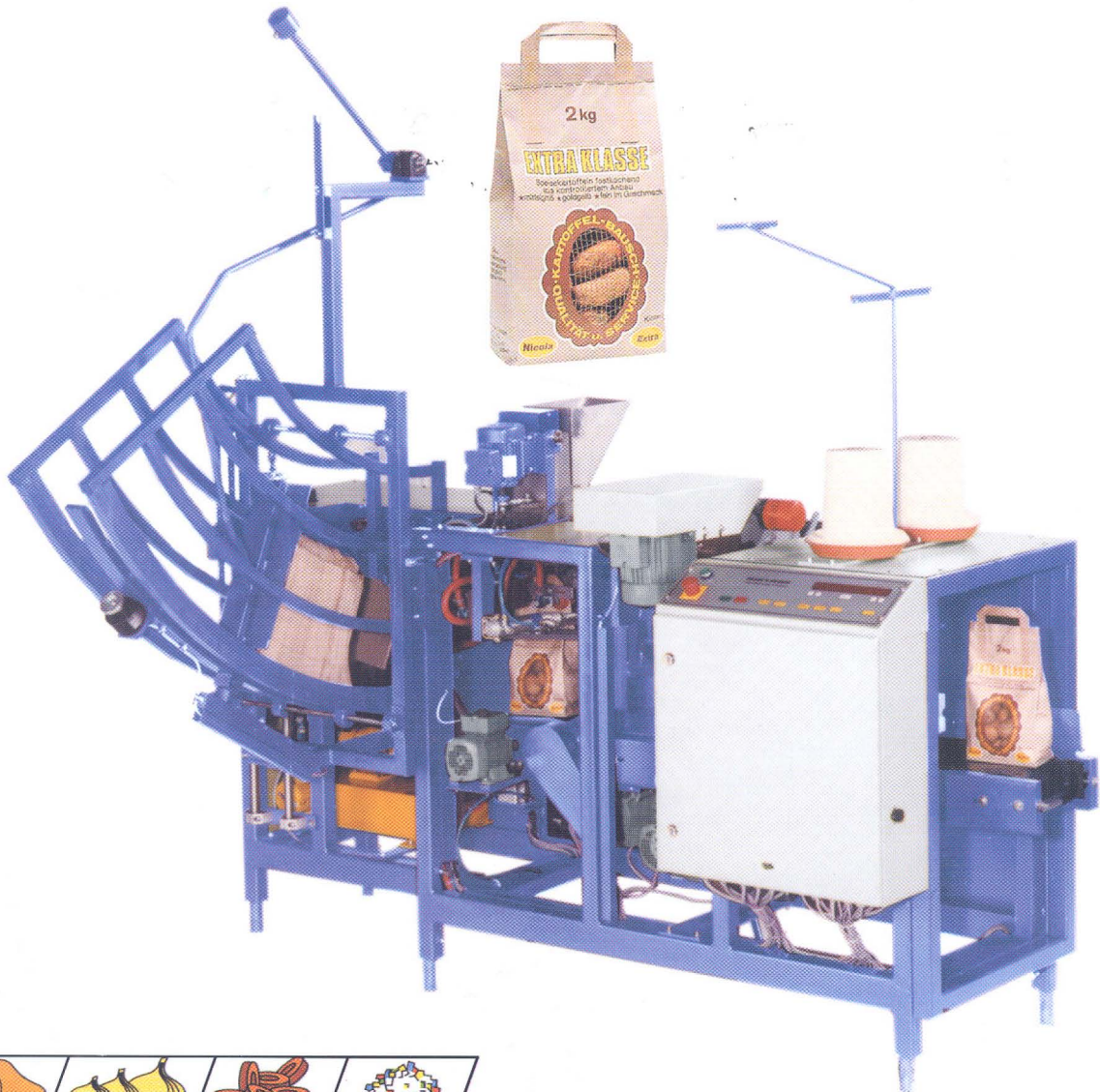


NP 10

AUTOMATIC PAPER BAGGER "NP 10"

The automatic paper bagger "NP 10" runs 2,0 to 10,0 kg paper bags with and without handle. A vacuum transfer system takes the bag out from the reservoir, transfers it to the filling section and open it. Electrical sensors are supervising all bag movements and take care of trouble-free production of the bagger. The whole machine is easy operable, due to the intelligent microprocessor-control with its 100 working programs and its digital display.

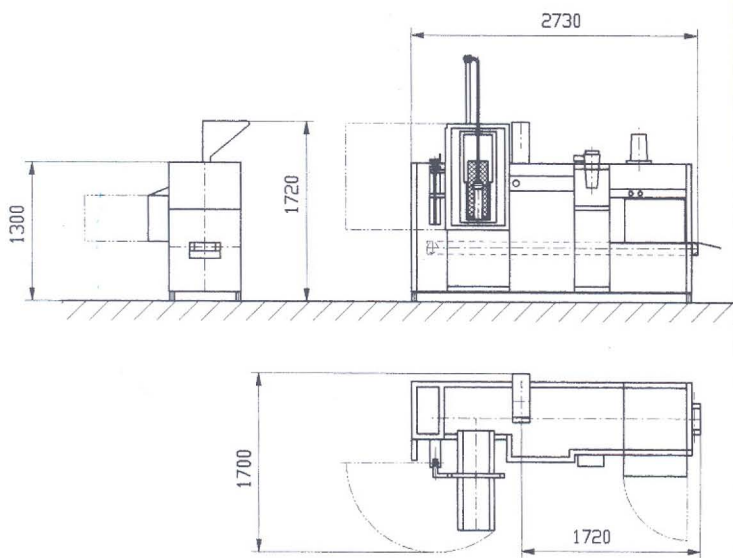




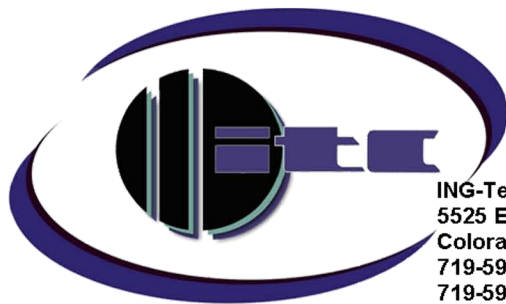
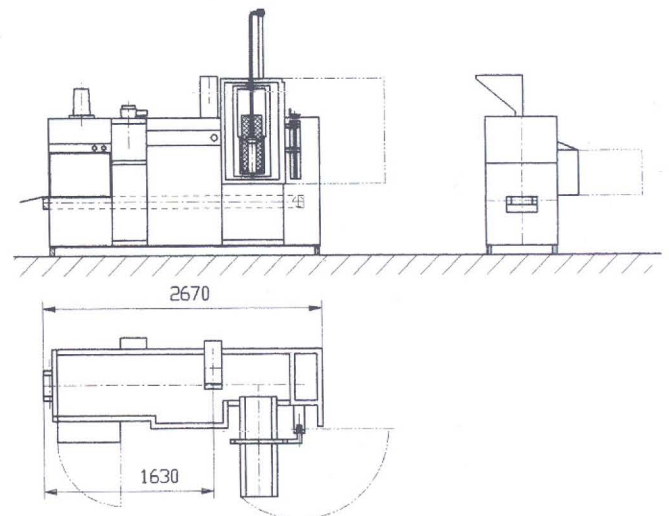
TECHNICAL DATA

- Capacity pack 2,0 Kg - 16 - 20 pack/min.
pack 5,0 Kg - 14 - 18 pack/min.
pack 10,0 Kg - 12 - 16 pack/min.
- Pack weights 2,0 bis 10,0 kg
- Contro Microprocessor
100 working programs
- Power Consumption 3,0 kW/h
- Air Consumption 80 l/min.

NP 10 L



NP 10 R



ING-Tech Corporation
5525 Erindale Dr. Suite 217
Colorado Springs, CO 80918
719-599-4044
719-599-4013 (fax)
www.producepackagingitc.com