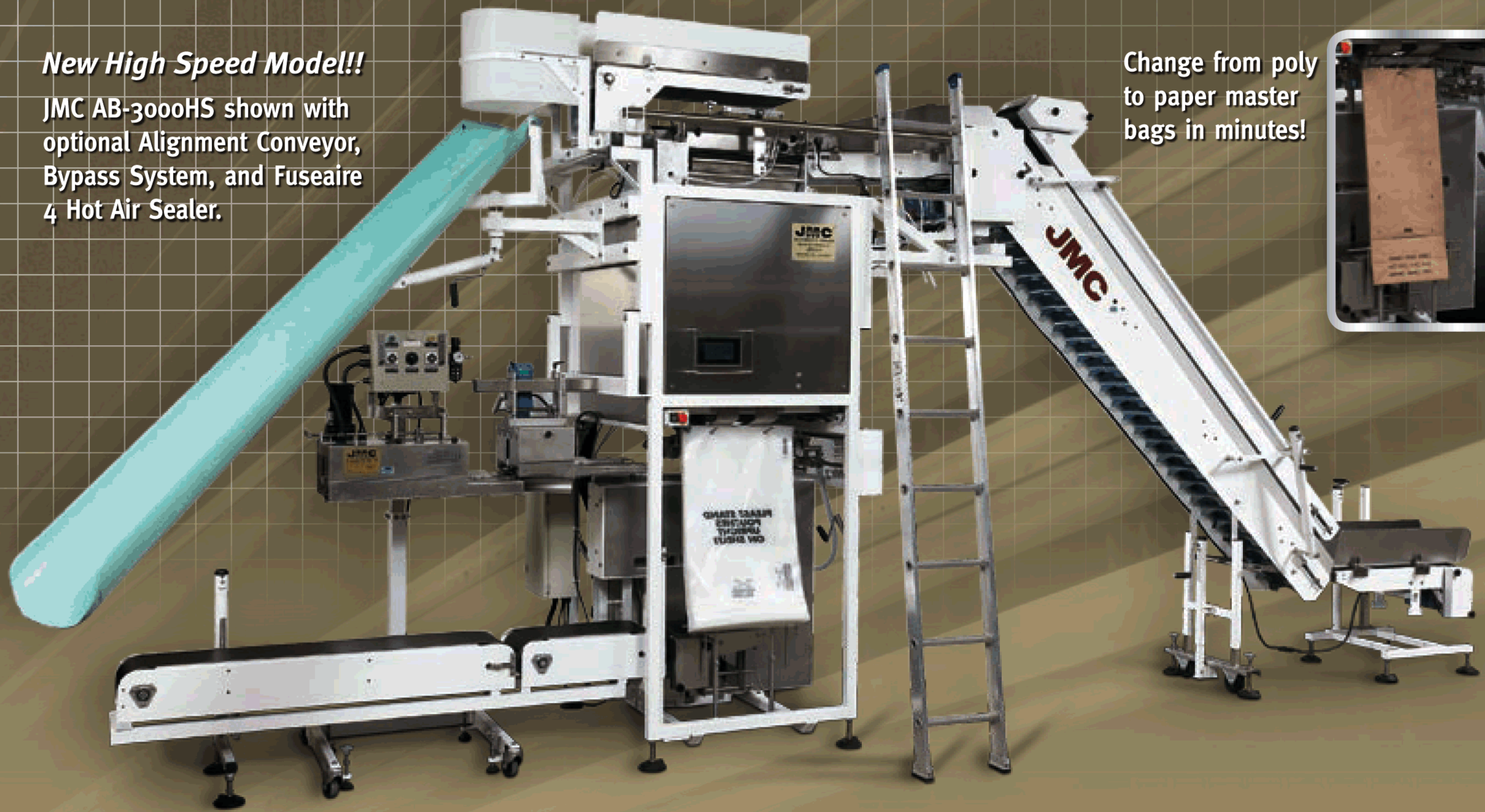


## Adjustable Automatic Master Potato Baler

***New High Speed Model!!!***  
JMC AB-3000HS shown with  
optional Alignment Conveyor,  
Bypass System, and Fuseaire  
4 Hot Air Sealer.

Change from poly  
to paper master  
bags in minutes!



### Designed to handle gentler than hand baling!

- Multi Stage Accumulation Chamber reduces drop
- Padded Infeed
- Padded Reciprocator
- Air Cylinder Dampening on Discharge Gates
- Computer Driven Bag Saddle Deceleration
- Air Cylinder Dampening on Bag Saddle
- Bag Sense ensures Master Bag is in place avoiding spills and damage
- Filled Bale Bag positively controlled avoiding spills

### Only the AB3000HS JMC offers all these features!

- Counts and accumulates both poly and paper bags
- Accepts all bag sizes from 3 lbs to 20 lbs
- Automatically fills both paper and poly master bags
- Automatic "hands free" transfer of master bag into closing device
- Interfaces with sewers, wire tiers & hot air sealers
- Compatible with all bagging systems
- Changeover from poly to paper master in minutes
- "Space Saver" incline conveyor for compact footprint
- Optional "Automatic Bypass" - ideal for loose stacking
- User friendly menu driven controls
- Gentle handling
- Proven performance - over 400 balers in operation



Wicketed Baggers



Robotic Palletizers

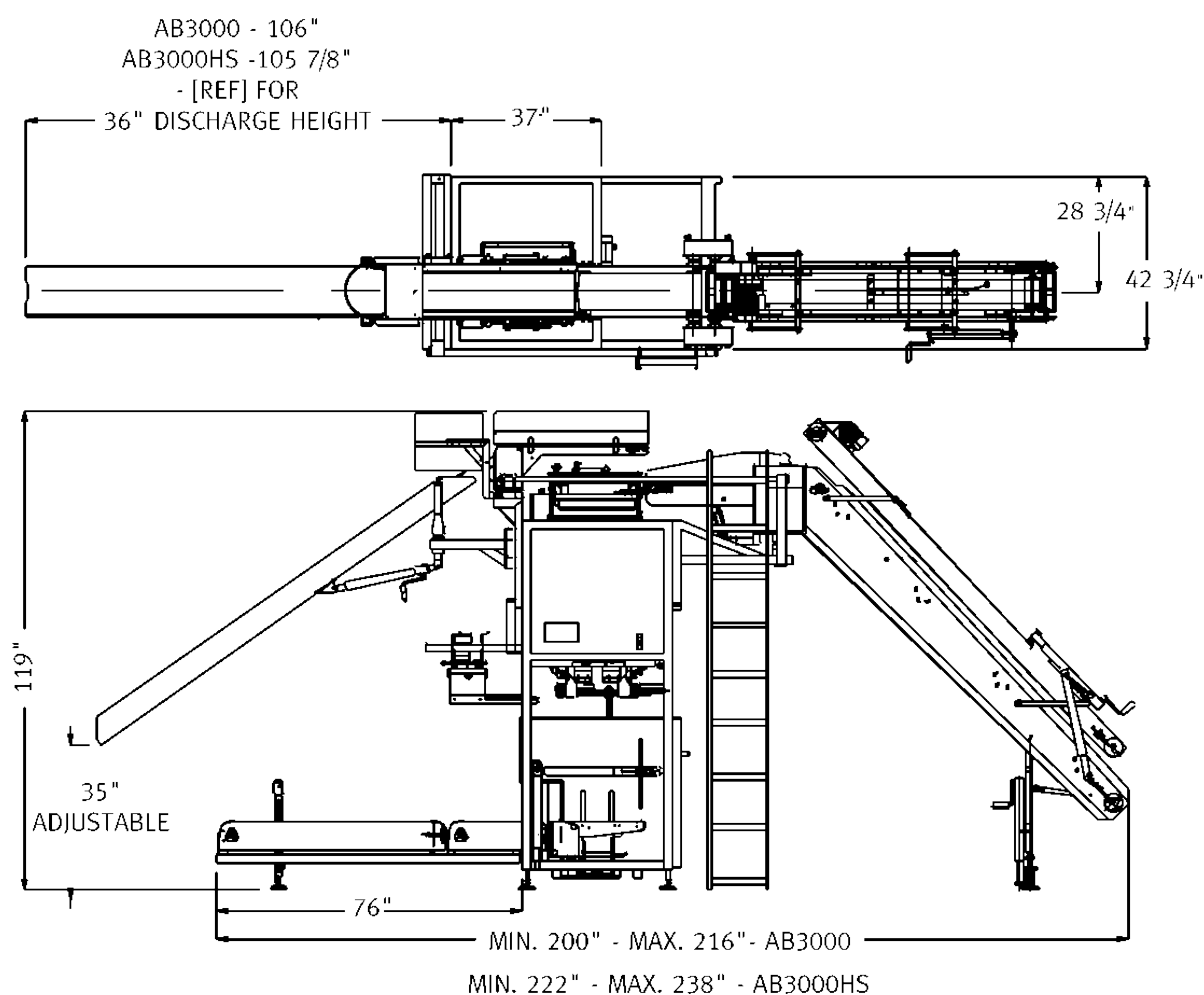


Hot Air Sealers



Master Balers

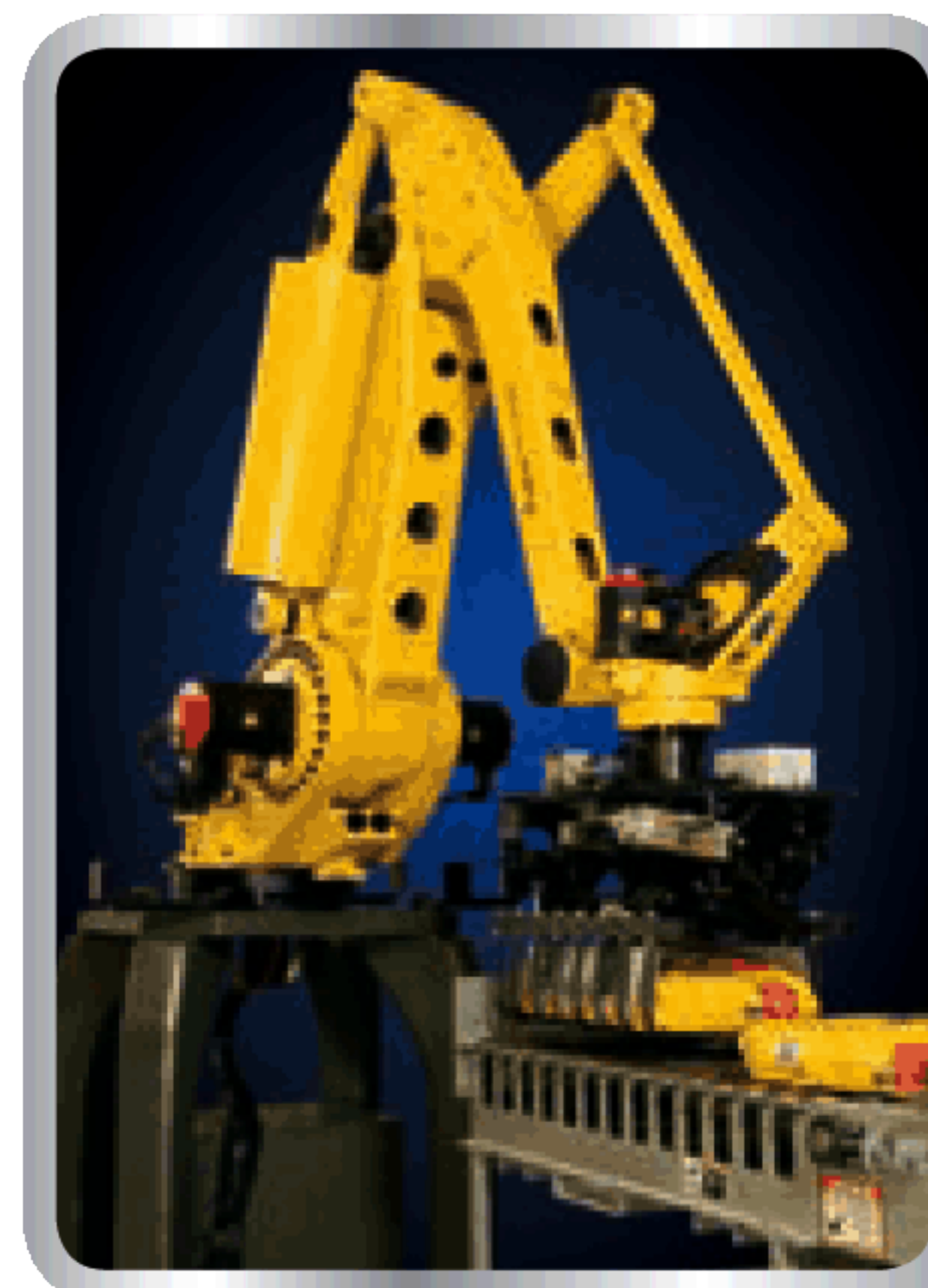
## Adjustable Master Balers AB3000 and AB3000HS



**Model AB3000 recommended for Poly Masters only.**

### STANDARD FEATURES

- OMRON P.L.C. and Touch Screen
  - Menu driven controls
  - Infeed mechanism & discharge gates
  - Bale pusher with bag transport grippers
  - Bag sense, "no bag, no dump"
  - Bag inflation system
  - Two way adjustable accumulating chamber
  - Will do 3, 4, 5, 6, 8, 10, 12, 15, 20 lb bags
  - Handles poly and paper master bags\*\*\*
  - Variable speed incline/accelerator conveyor assembly with JMC Space Saver Incline
  - Product decelerator to eliminate bounce
  - NEMA 12 electrical "swing-away" control panel with interloc
  - Take away conveyor
  - Motorized Bag Saddle Conveyor (150 fpm)\*\*\*
  - High speed intermediate take away conveyor with bag top conveyor\*\*\*
  - Spare Parts Kit
- \*\*\* Model AB3000HS Only



**Now Available  
 JMC/FANUC Robotic  
 Palletizing Systems  
 for total automation!**

- Speed
- Reliability
- Flexibility
- Low maintenance
- Integrated with baler

### JMC Fuseaire 4 Hot Air Sealer

- Provides perfect closing system
- Low maintenance
- Uses no consumables
- Safe and easy to use
- Specifically designed for master baling
- Hundreds in use



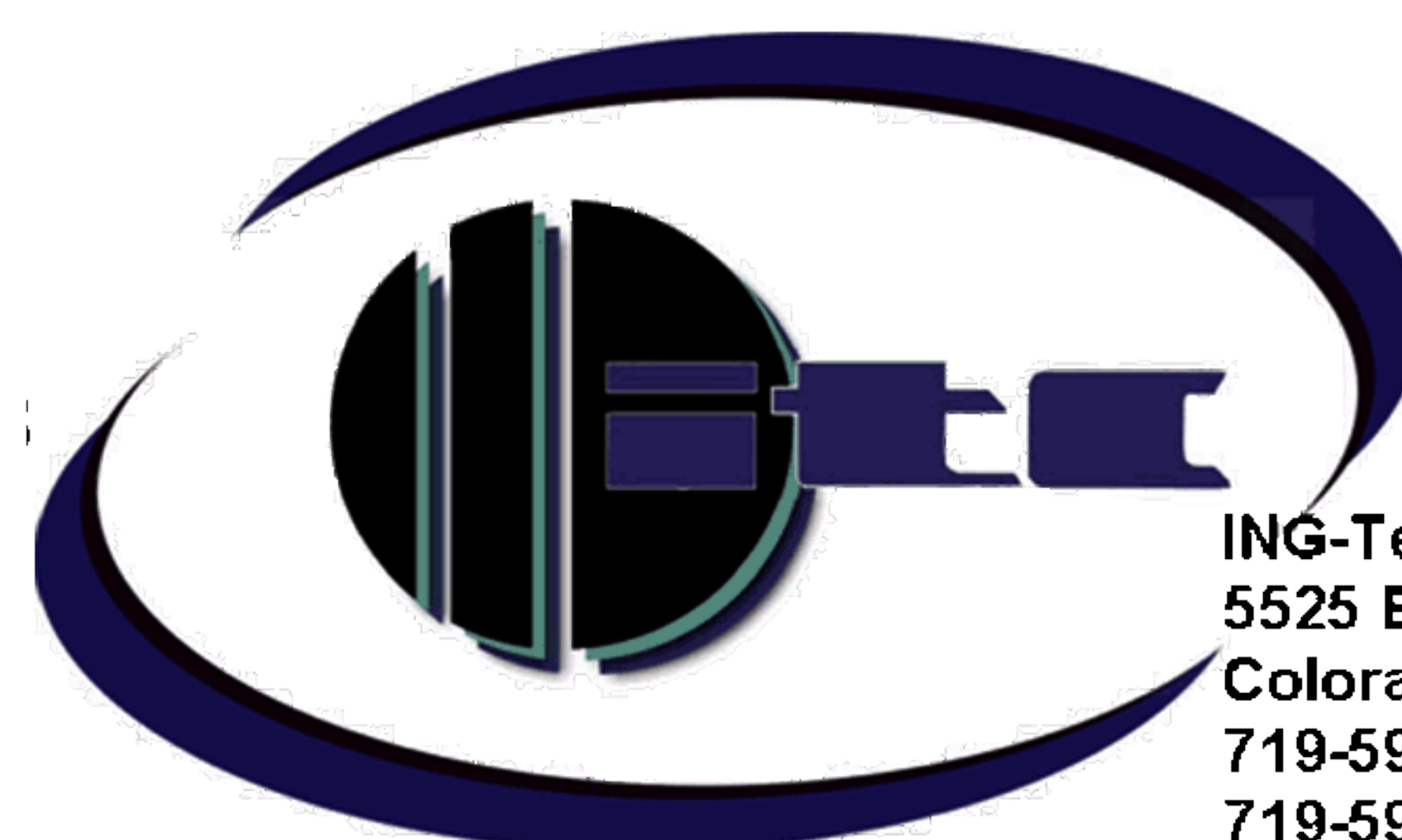
### OPTIONAL FEATURES

- JMC 90° Drag Turn conveyor
- JMC Autofeed Mesh Bale Bag Placer
- Automatic Bypass System with access ladder, bypass conveyor, and discharge chute
- Mobility Kit
- Horizontal Alignment Conveyor
- Warning Systems

### SPECIFICATIONS

- Power: 230/460/575 volt 3 PH. 60 Hz
- Air: 6 CFM @ 80 PSI
- Approx. shipping weight: 2700 lbs.

Represented By:



ING-Tech Corporation  
 5525 Erindale Dr. Suite 217  
 Colorado Springs, CO 80918  
 719-599-4044  
 719-599-4013 (fax)  
 www.producepackagingitc.com